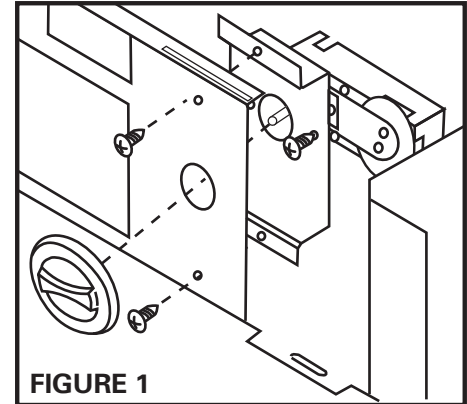
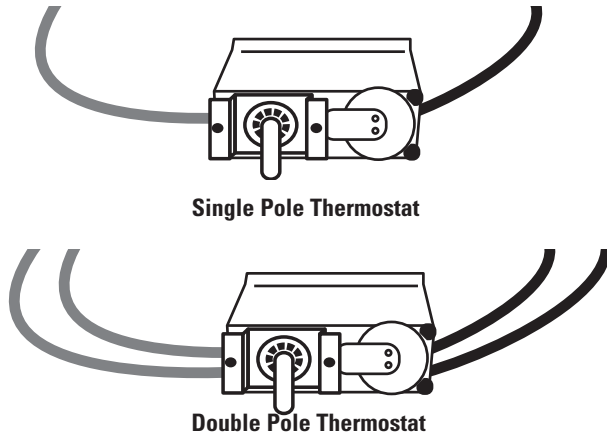




# Thermostat Installation Instructions

## For Cadet UC Series Heaters

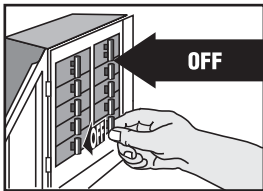


Tools Required: Phillips Screwdriver, Insulated Wire Connectors (Wire Nuts®)

### General Safety Information

If you are uncomfortable working with electrical appliances, unable to follow these guidelines, or do not have the necessary equipment, consult a licensed electrician.

### Installation Instructions



**WARNING**  
Turn the electrical power off at the electrical panel board (circuit breaker or fuse box) and lock or tag the panel board door to prevent someone from turning on power while you are working on the heater. Failure to do so could result in serious electrical shock, burns, or possible death.

#### UC-T1 SINGLE POLE THERMOSTAT

1. Remove top cover off heater assembly.
2. Attach thermostat bracket to the inside surface of front of wall can as shown in Figure (1) with screws provided.
3. Connect the red lead from the thermostat to one supply wire; using insulated wire connectors.
4. Connect the black thermostat wire to one heater wire using insulated wire connectors. (Note: Remaining supply and heater wire should be connected.)

5. Remove the plug from the front grill and attach grill to installed heater. Install the provided thermostat knob on the thermostat shaft extending through the grill.

#### UC-T2 DOUBLE POLE THERMOSTAT

1. Remove top cover off heater assembly.
2. Attach thermostat bracket to the inside surface of front of wall can as shown in Figure (1) with screws provided.
3. Connect the red leads from the thermostat to each supply wire using insulated wire connectors.
4. Connect each black thermostat wire to each heater wire using insulated wire connectors.
5. Remove the plug from the front grill and attach grill to installed heater. Install the provided thermostat knob on the thermostat shaft extending through the grill.

Keep for future reference

TEL: 360-693-2505 Fax: 360-694-6939 P.O. Box 1675 Vancouver, WA 98668-1675

# Wiring Diagrams

