



SPECIFICATION

Tech Specialties Cast Iron Combination Roof Drain with overflow drain and flashing area in one unit. For use on flat built-up roof systems, where water can collect to facilitate water drainage. Drain unit consists of cast iron main body, flashing rings, leaf guard and strainer domes. Flashing ring secured to main body with stainless steel fasteners. No Hub outlets

DESIGN FEATURES

- For use on flat roofs as a primary drain and an overflow connection to prevent overflow conditions
- Cast iron membrane clamps to both roof and overflow drains
- Removable twist-off strainer domes
- Leaf guard ring flashing
- Stainless steel fasteners

COMPLIANCES/LISTINGS

- Uniform Plumbing Code (UPC®) listed through IAPMO to ASME A112.6.4, File 4192
- Compliant to International Plumbing Code (IPC®)



3689 Arrowhead Drive, Carson City, NV 89706
 Phone (800) 854-3215 Fax (800) 243-1777
 E-mail sales@lspproducts.com Website www.lspproducts.com
 Content matter is subject to change at any time. It is the user's responsibility to ensure the most updated revisions

Roof Drains w/ Overflow
T-0082, T-0083, T-0084, 850-2N, 850-3N, 850-4N
Specification Sheet

Part Number	Description	
T-0082	2" X 2" Combination Roof Drain & Overflow, Low Profile	
T-0083	3" X 3" Combination Roof Drain & Overflow, Low Profile	
T-0084	4" X 4" Combination Roof Drain & Overflow, Low Profile	
850-2N	2" X 2" Combination Roof Drain & Overflow	
850-3N	3" X 3" Combination Roof Drain & Overflow	
850-4N	4" X 4" Combination Roof Drain & Overflow	
Replacement Parts		QTY
850-003	Strainer Dome Grate	2
850-006	Flashing Ring	2

INSTALLATION

1. Remove strainer dome grates and flashing rings from body casting. Leave studs in place
2. Cut circular holes in roof substrate and position drain body casting in place.
3. Fasten with appropriate screws (6X).
4. Ensure drain top flange is clean and lay roofing ply sheets down into sump and over flange.
5. Poke studs through roofing ply.
6. Fasten flashing ring in place and attach dome grate.

CLICK ANYWHERE on THIS PAGE to FLAT & LOW-SLOPE ROOF DRAIN SYSTEMS at InspectApedia.com

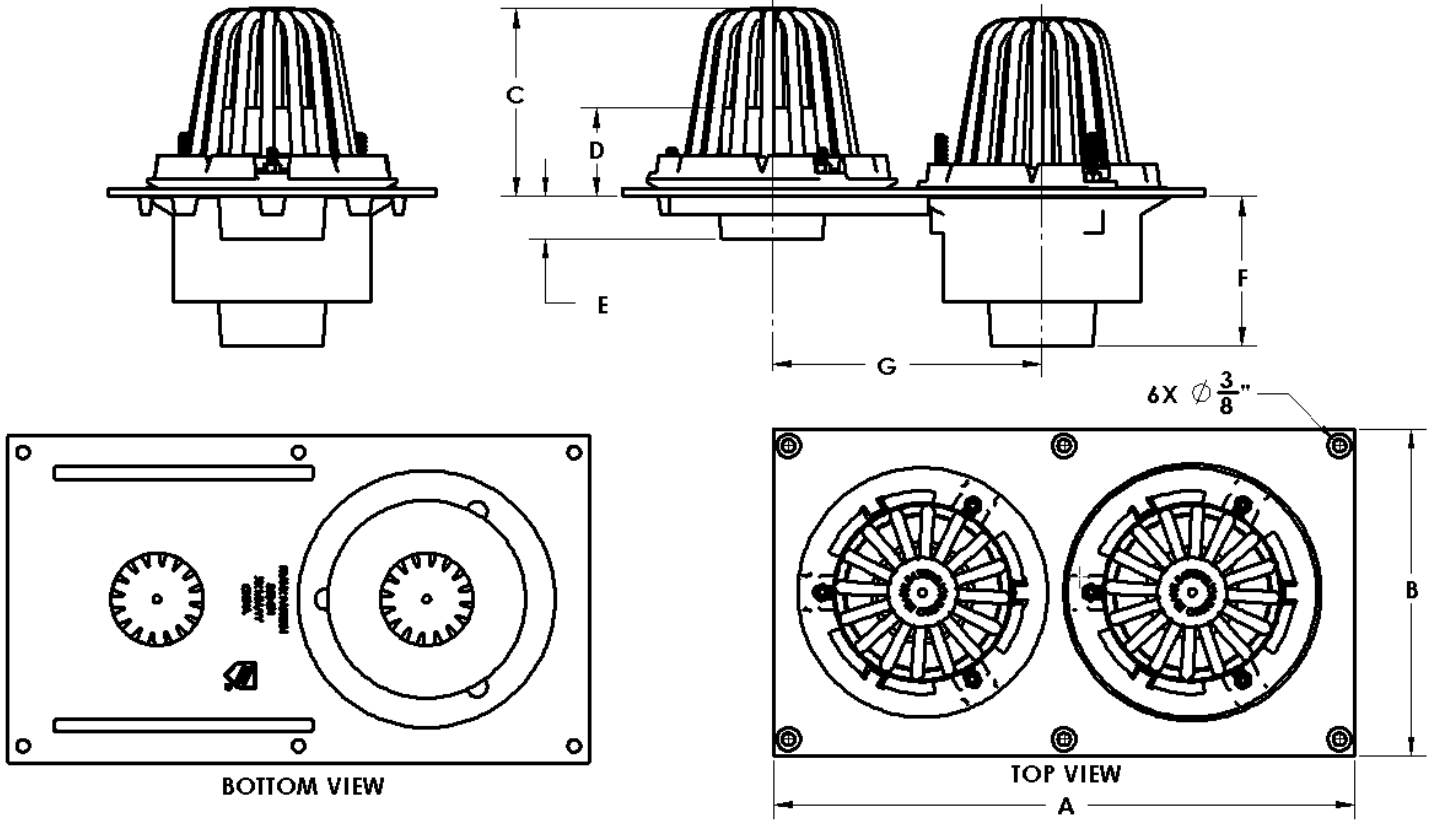
Product Submittal	
Job Name:	
Date:	
Part Number	Quantity
Architect:	
Contractor:	



Frank Pattern™

DIMENSIONS

Roof Drains w/ Overflow
 T-0082, T-0083, T-0084, 850-2N, 850-3N, 850-4N
 Specification Sheet



Part No.	Drain Connection	Drain Pipe Size	Dimensions (Inches)						
			A	B	C	D	E	F	G
T-0082	No Hub	2"	18-7/8	10-1/2	6-1/16	2-7/8	1-5/16	2-7/8	8-11/16
T-0083	No Hub	3"	18-7/8	10-1/2	6-1/16	2-7/8	1-5/16	2-7/8	8-11/16
T-0084	No Hub	4"	18-7/8	10-1/2	6-1/16	2-7/8	1-5/16	2-7/8	8-11/16
850-2N	No Hub	2"	18-7/8	10-5/8	6-1/8	2-7/8	1-3/8	4-7/8	8-3/4
850-3N	No Hub	3"	18-7/8	10-5/8	6-1/8	2-7/8	1-3/8	4-7/8	8-3/4
850-4N	No Hub	4"	18-7/8	10-5/8	6-1/8	2-7/8	1-3/8	4-7/8	8-3/4



3689 Arrowhead Drive, Carson City, NV 89706
 Phone (800) 854-3215 Fax (800) 243-1777

E-mail sales@lspproducts.com Website
 www.lspproducts.com

Content matter is subject to change at any time. It is the user's responsibility to ensure the most updated revisions are obtained.