

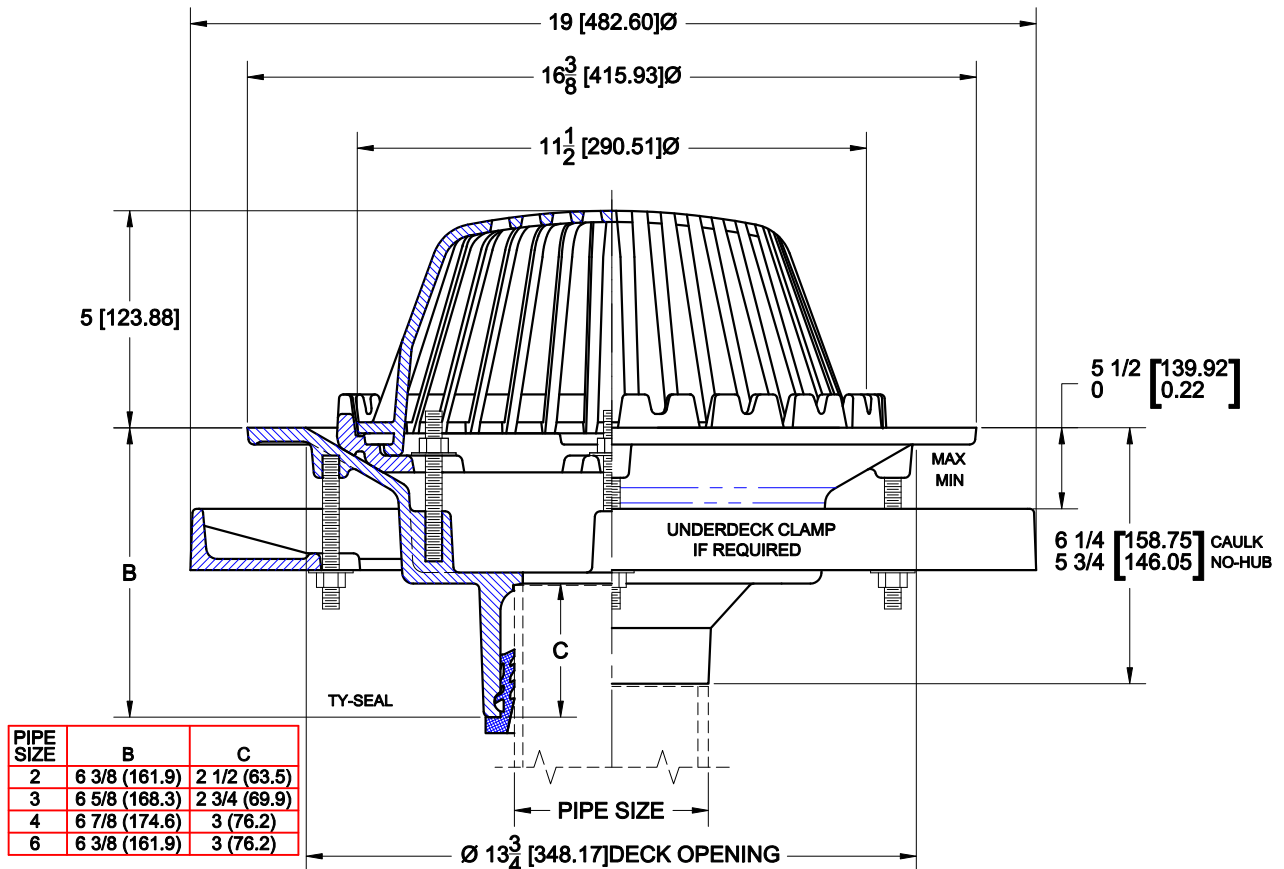
ROOF DRAIN



3000

CAST IRON ROOF DRAIN WITH CLAMPING COLLAR INTEGRAL WITH GRAVEL STOP, MUSHROOM TWIST LOCK DOME AND BOTTOM OUTLET

CLICK ANYWHERE on THIS PAGE to FLAT & LOW-SLOPE ROOF DRAIN SYSTEMS at InspectApedia.com



OPTIONS

Cat. No.	Pipe Size	Wt. Lbs.	Suffix	Description
<input type="checkbox"/> 3002	2 (50)	41.0	<input type="checkbox"/> 3	ROUGH BRONZE DOME
<input type="checkbox"/> 3003	3 (75)	42.0	<input type="checkbox"/> 5	VANDAL PROOF
<input type="checkbox"/> 3004	4 (100)	42.0	<input type="checkbox"/> 39	GALVANIZED IRON PARTS
<input type="checkbox"/> 3005	5 (125)	42.0	<input type="checkbox"/> 46	ALUMINUM DOME
<input type="checkbox"/> 3006	6 (150)	43.0	<input type="checkbox"/> 52	BEARING PAN
<input type="checkbox"/> 3008	8 (200)	43.0	<input type="checkbox"/> 53	UNDERDECK CLAMP

OUTLETS

<input type="checkbox"/> NH NO-HUB	<input type="checkbox"/> TY TY-SEAL	<input type="checkbox"/> IC INSIDE CAULK	<input type="checkbox"/> IPS THREADED
------------------------------------	-------------------------------------	--	---------------------------------------

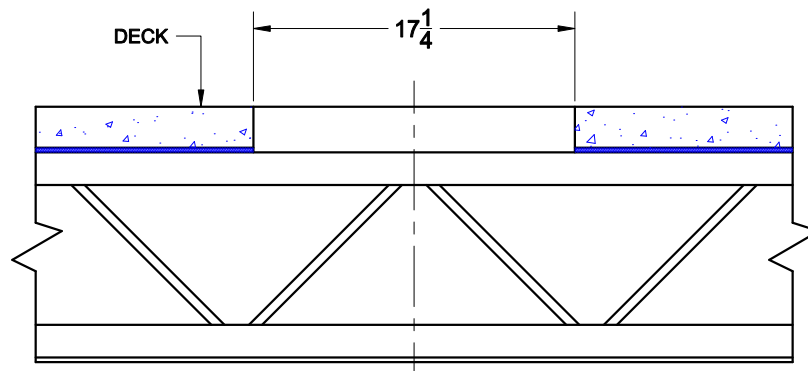
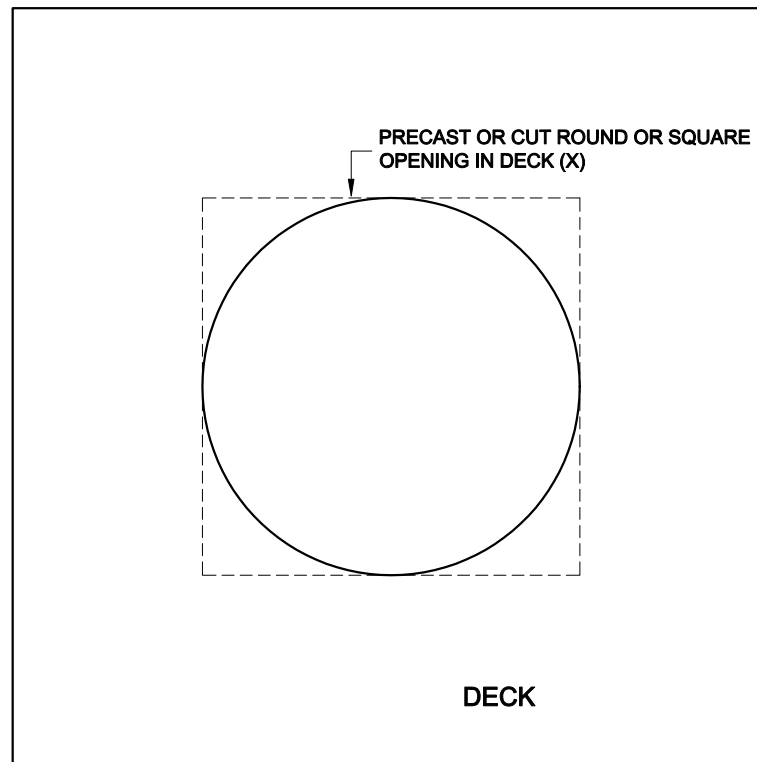
AutoCad.dwg

LARGE ROOF DRAIN



3000

CAST IRON ROOF DRAIN WITH CLAMPING COLLAR INTEGRAL WITH GRAVEL STOP, MUSHROOM DOME AND BOTTOM OUTLET



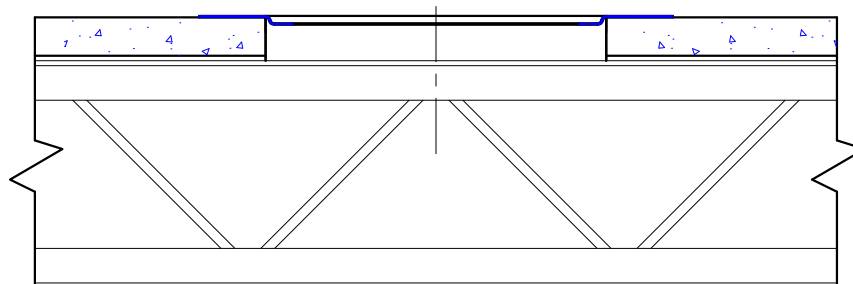
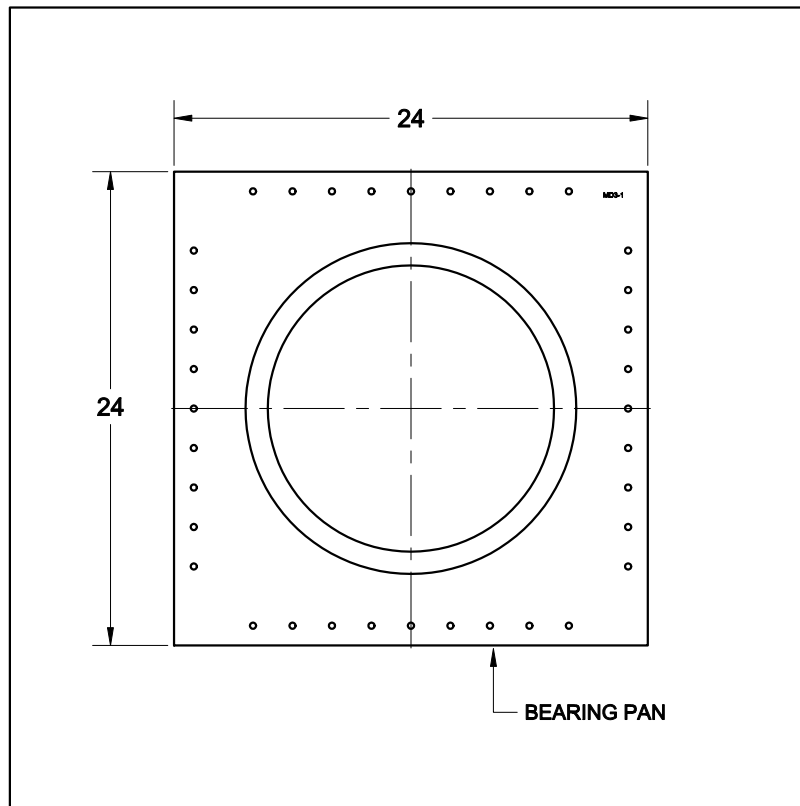
1. AT THE PREDETERMINED LOCATION LOCATE THE CENTER FOR THE DRAIN OPENING & SCRIBE TO DIMENSION.
2. VERIFY THAT THERE ARE NO OBSTRUCTIONS UNDER THE AREA WHERE THE DRAIN IS TO BE LOCATED.
3. CHECK TO INSURE THAT THE LOCATION IS TO THE SYSTEM ENGINEERED PLANS.
LOCATE PRECISELY - DO NOT DEVIATE FROM PLANS.
4. IF THE SPECIFIED LOCATION HAS INTERFERENCES OR IF A LOCATION CHANGE IS DESIRED, DO NOT PROCEED.
CONSULT WITH THE ENGINEERING AUTHORITY RESPONSIBLE FOR THE DESIGN SO THE CHANGE CAN BE REEVALUATED.
5. IF NO PROBLEMS EXISTS AT THE PREDETERMIND SITE, CUT A ROUND OR SQUARE OPENING IN THE DECK (X - DIMENSION)

LARGE ROOF DRAIN



3000

CAST IRON ROOF DRAIN WITH CLAMPING COLLAR INTEGRAL WITH GRAVEL STOP, MUSHROOM DOME AND BOTTOM OUTLET



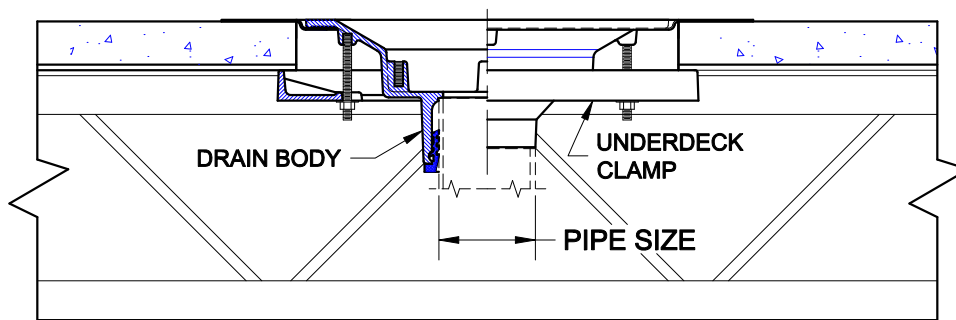
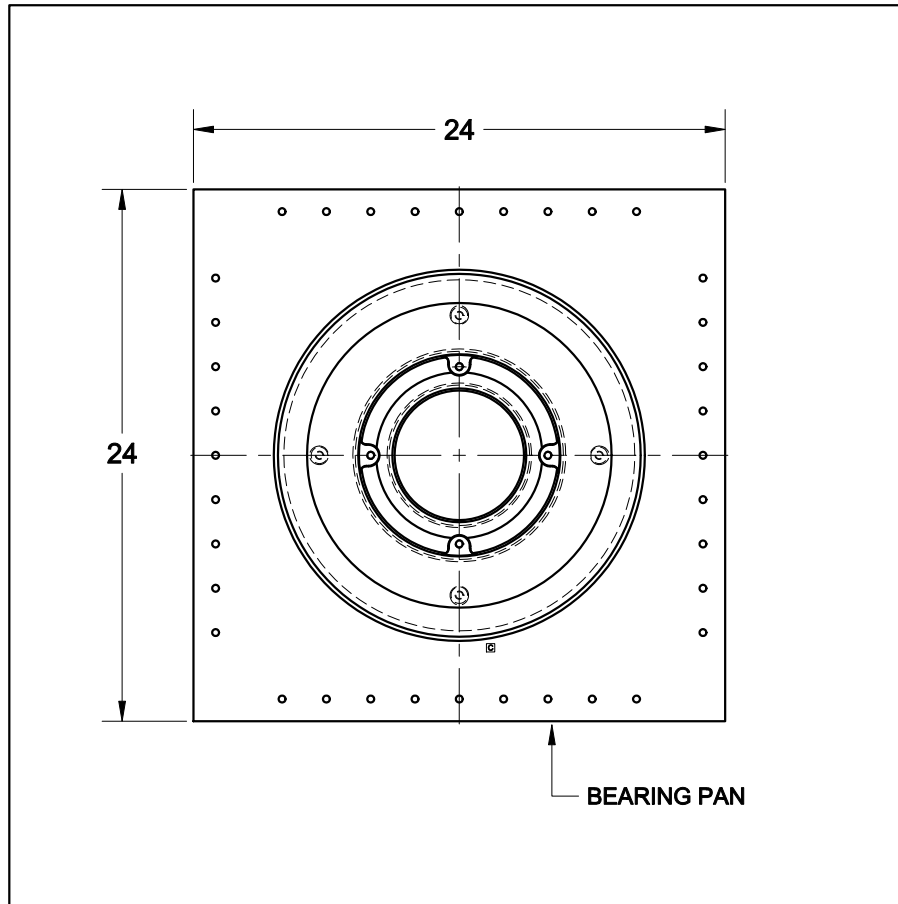
6. INSTALL THE BEARING PAN (SUMP RECEIVER) INTO DECK OPENING.
7. THE BEARING PAN HAS PERIMETER HOLES FOR SECURING TO THE DECK (IF DESIRED)

LARGE ROOF DRAIN



3000

CAST IRON ROOF DRAIN WITH CLAMPING COLLAR INTEGRAL WITH GRAVEL STOP, MUSHROOM DOME AND BOTTOM OUTLET



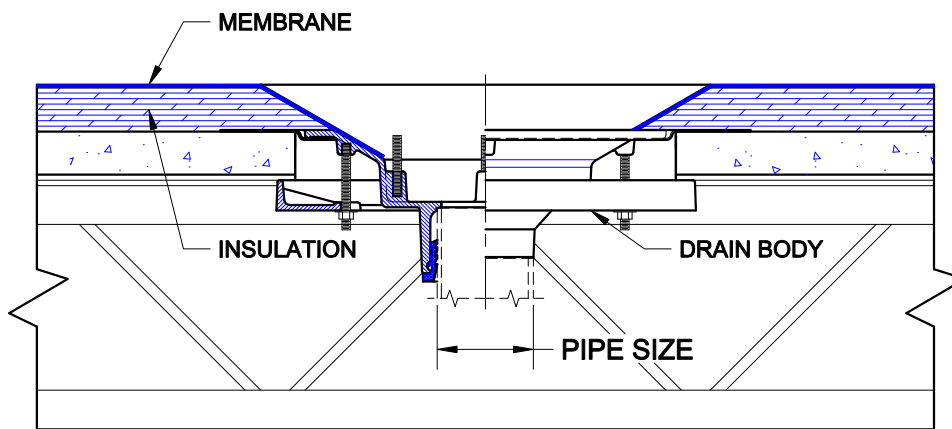
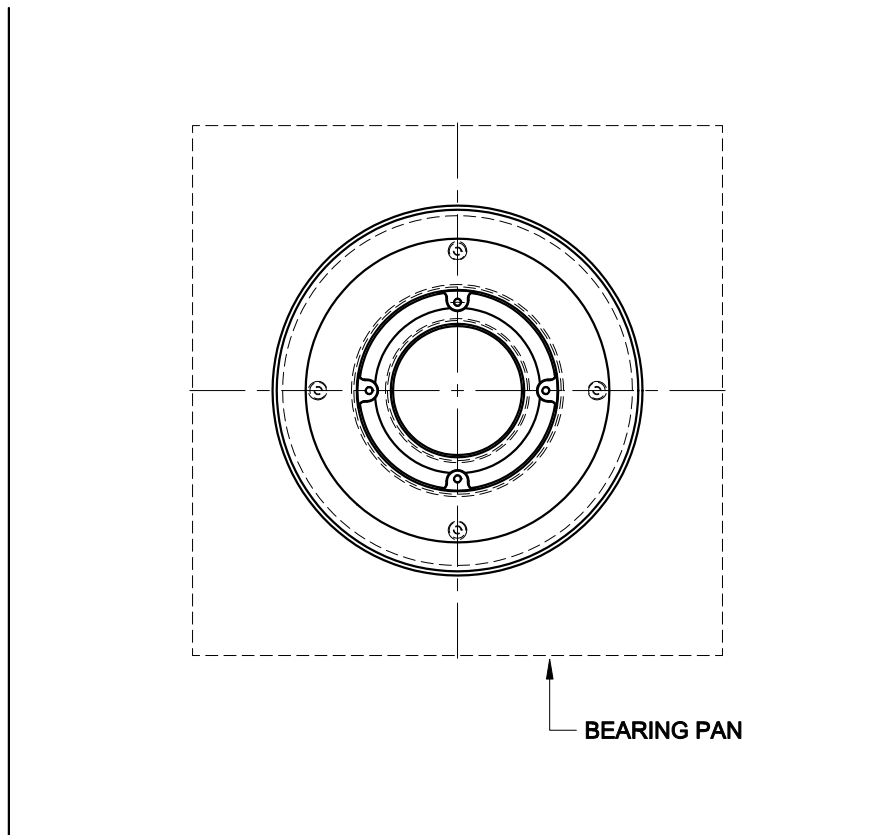
8. INSTALL DRAIN BODY INTO BEARING PAN RECESS.
9. FROM UNDERSIDE, INSTALL UNDER DECK CLAMPS AND TIGHTEN SECURELY.
10. INSTALLATION OF PIPE MAY THEN PROCEED.

LARGE ROOF DRAIN



3000

CAST IRON ROOF DRAIN WITH CLAMPING COLLAR INTEGRAL WITH GRAVEL STOP, MUSHROOM DOME AND BOTTOM OUTLET



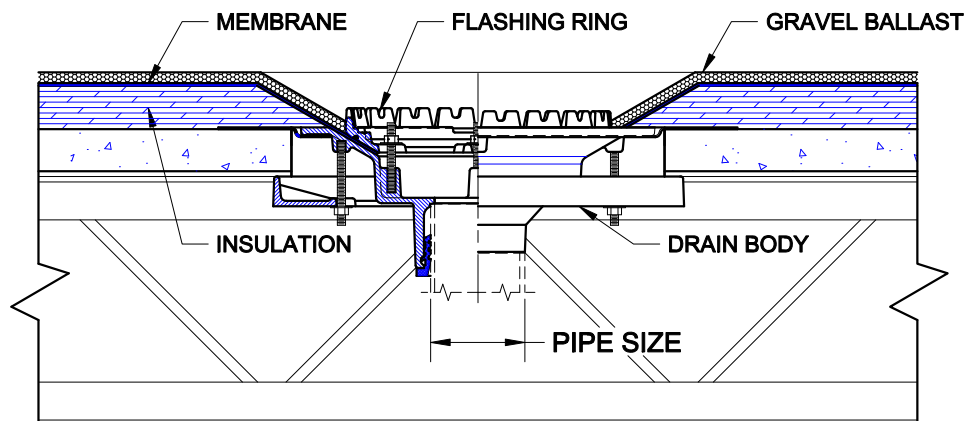
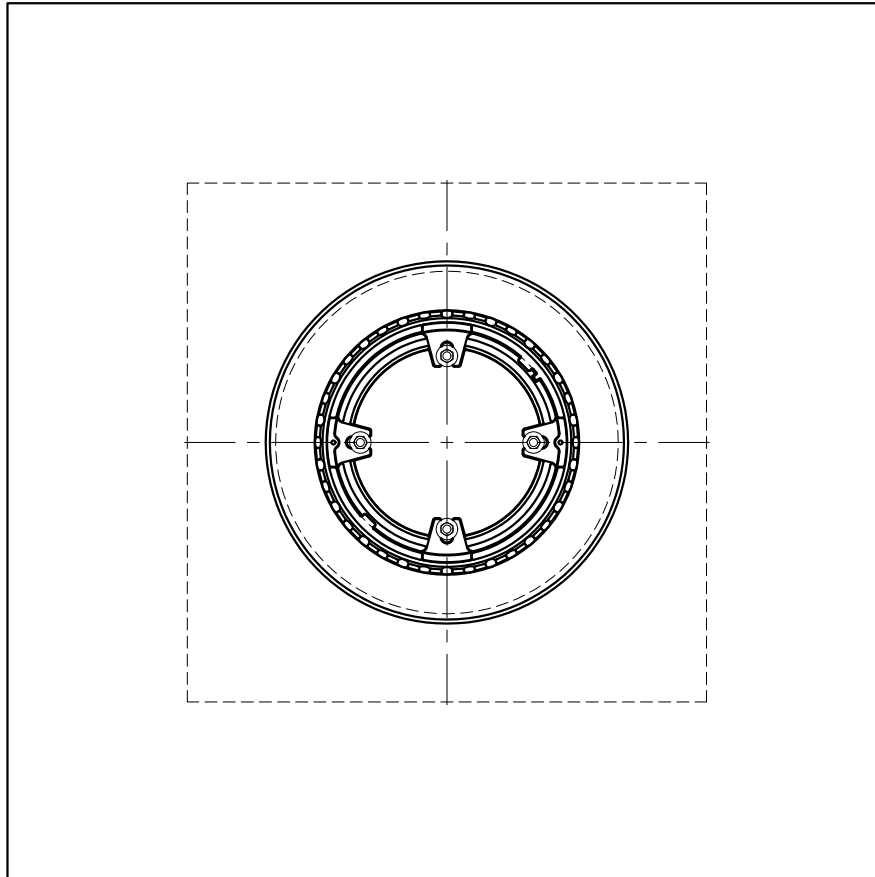
11. FROM THE ROOF SIDE, THE INSULATION CAN BE INSTALLED. THE INSULATION SHOULD BE TAPERD TO THE ROOF DRAIN A MINIMUM OF 4" FROM THE EDGE OF THE DRAIN.
12. APPLY MEMBRANE PER MANUFACTURERS INSTRUCTIONS. CUT OPENING IN A CIRCULAR PATTERN. NOTCH AROUND THREADED STUDS (IF REQUIRED)
13. MEMBRANE MUST LAY FLAT AND CONTOUR THE OPENING.

LARGE ROOF DRAIN



3000

CAST IRON ROOF DRAIN WITH CLAMPING COLLAR INTEGRAL WITH GRAVEL STOP, MUSHROOM DOME AND BOTTOM OUTLET



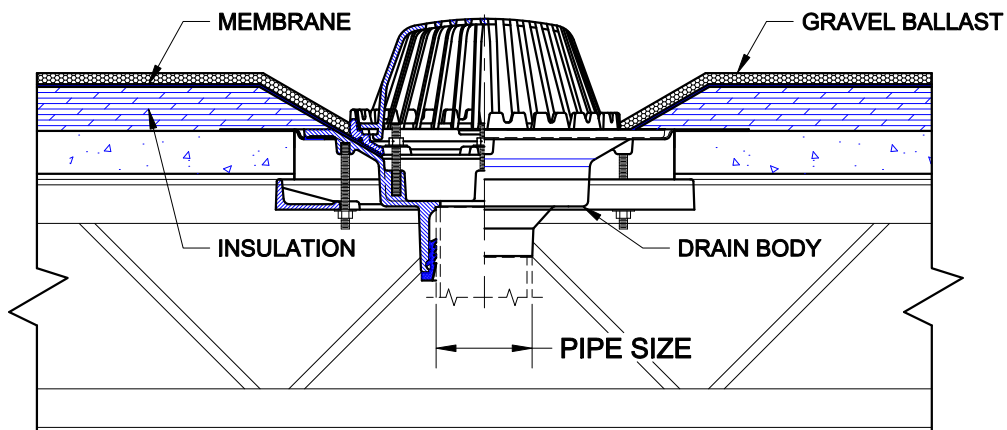
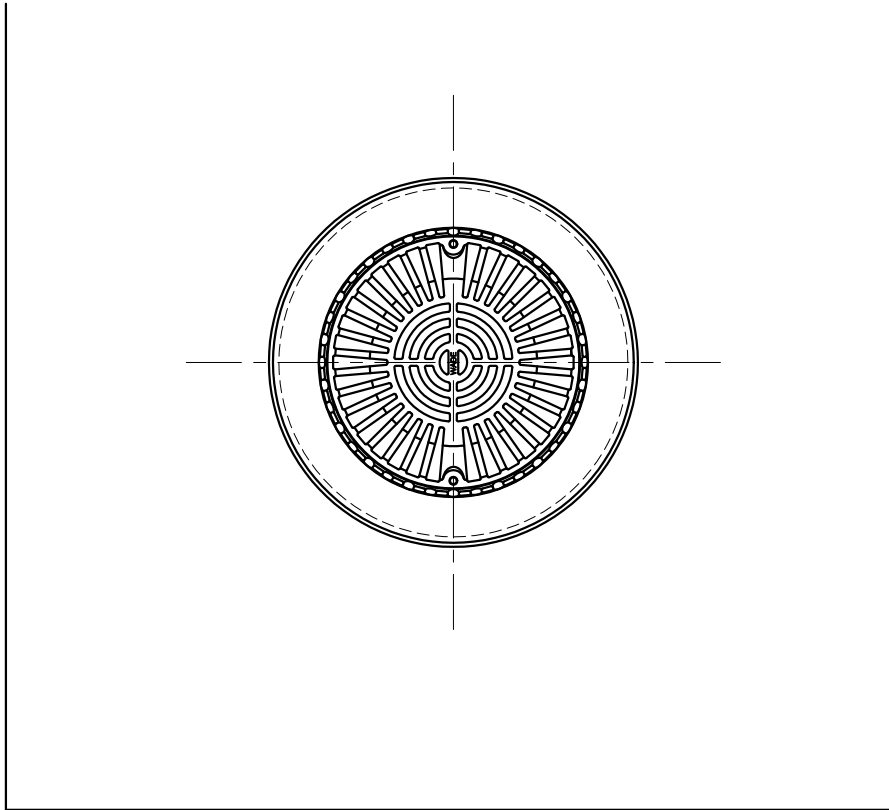
14. INSTALL THE FLASHING RING WITH THE HARDWARE PROVIDED. INSURE THAT THE NUTS ARE TIGHT.

LARGE ROOF DRAIN



3000

CAST IRON ROOF DRAIN WITH CLAMPING COLLAR INTEGRAL WITH GRAVEL STOP, MUSHROOM DOME AND BOTTOM OUTLET



17. INSTALL DOME