



# Z100-DP

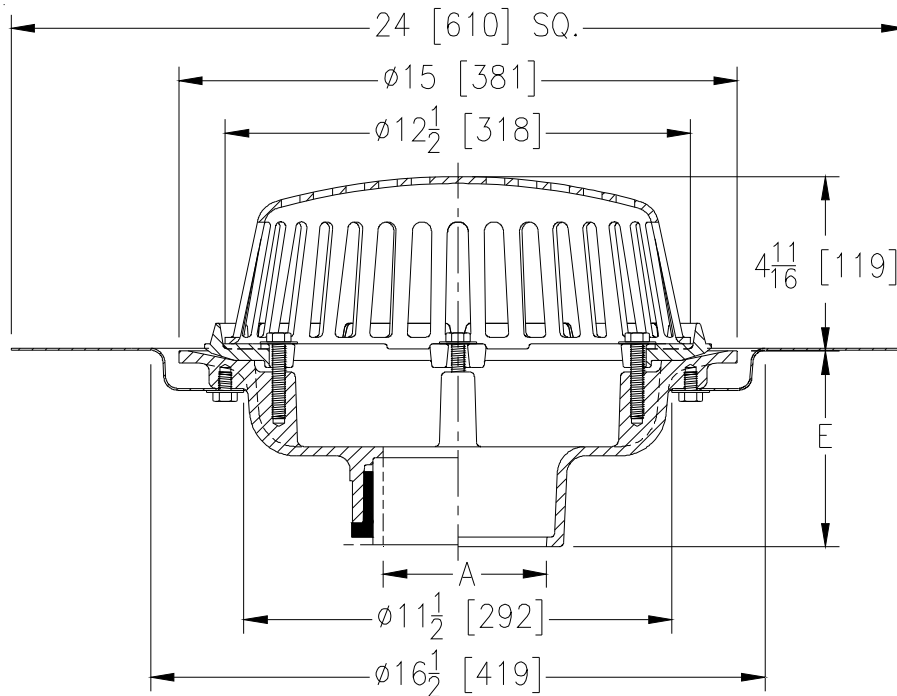
## 15 [381] DIAMETER MAIN ROOF DRAIN W/ TOP-SET DECK PLATE

SPECIFICATION SHEET

TAG \_\_\_\_\_

Dimensional Data (inches and [ mm ]) are Subject to Manufacturing Tolerances and Change Without Notice

CLICK ANYWHERE on THIS PAGE to FLAT & LOW-SLOPE ROOF DRAIN SYSTEMS at InspectApedia.com



A Pipe Size in [mm]	Approx Wt. lbs [kg]	Dome Open Area in <sup>2</sup> [cm <sup>2</sup> ]
2,3,4 [51,76,102]	36 [16]	103 [665]
6 [152]	37 [17]	
8 [203]	38 [17]	

### ENGINEERING SPECIFICATION: ZURNZ100-DP

15" [381mm] Diameter roof drain. Dura-Coated cast iron body with combination membrane flashing clamp/gravel guard, Top-Set® deck plate, and low silhouette Poly-Dome.

### OPTIONS (Check/specify appropriate options)

#### PIPE SIZE

- 3,4,6[76,102,152]
- 2,3,4,6, 8[51,76,102,152,203]
- 2,3,4,6, 8[51,76,102,152,203]
- 2,3,4[51,76,102]
- 6[152]

#### (Specify size/type) OUTLET

- \_\_\_\_\_ IC Inside Caulk
- \_\_\_\_\_ IP Threaded
- \_\_\_\_\_ NH No-Hub
- \_\_\_\_\_ NL Neo-Loc
- \_\_\_\_\_ NL Neo-Loc

#### E BODY HT. DIM.

- 5-1/4 [133]
- 3-3/4 [95]
- 5-1/4 [133]
- 4-5/8 [117]
- 5-7/16 [138]

#### PREFIXES

- \_\_\_\_\_ Z D.C.C.I. Body with Poly-Dome\*
- \_\_\_\_\_ ZA D.C.C.I. Body with Aluminum Dome

- \_\_\_\_\_ ZC D.C.C.I. Body with Cast Iron Dome
- \_\_\_\_\_ ZRB D.C.C.I. Body with Plain Bronze Dome

#### SUFFIXES

- \_\_\_\_\_ -AR Acid Resistant Epoxy Coated
- \_\_\_\_\_ -AW 3/4 [19] to 4 [102] Adjustable Water Level Regulator (Specify Height) (ZC Only)
- \_\_\_\_\_ -E Static Extension 1 [25] thru 4 [102] (Specify Ht.)
- \_\_\_\_\_ -EA Adjustable Extension Assembly 2-1/8 [54] thru 3-1/2 [89]
- \_\_\_\_\_ -FG Flush Grate (Replaces Dome Strainer)
- \_\_\_\_\_ -G Galvanized Cast Iron
- \_\_\_\_\_ -HD 6-3/4 [171] High Aluminum Dome (148 sq. in. [955 cm<sup>2</sup>] open area)
- \_\_\_\_\_ -SC Secondary Clamping Collar

- \_\_\_\_\_ -SS Stainless Mesh Screen Over Dome
- \_\_\_\_\_ -ST Dome w/Solid top (ZA and ZC only)
- \_\_\_\_\_ -TC Neo-Loc Test Cap Gasket (2,3,4 [51,76,102] Bottom Outlet Only)
- \_\_\_\_\_ -VP Vandal Proof Secured Top
- \_\_\_\_\_ -W2 2 [51] Internal Water Dam
- \_\_\_\_\_ -W3 3 [76] Internal Water Dam
- \_\_\_\_\_ -W4 4 [102] Internal Water Dam
- \_\_\_\_\_ -84 Stainless Steel Perforated Gravel Guard
- \_\_\_\_\_ -85 Stainless Steel Perforated Extension
- \_\_\_\_\_ -89 2 [51] High External Water Dam
- \_\_\_\_\_ -90 90° Threaded Side Outlet Body

\* Regularly furnished unless otherwise specified.