

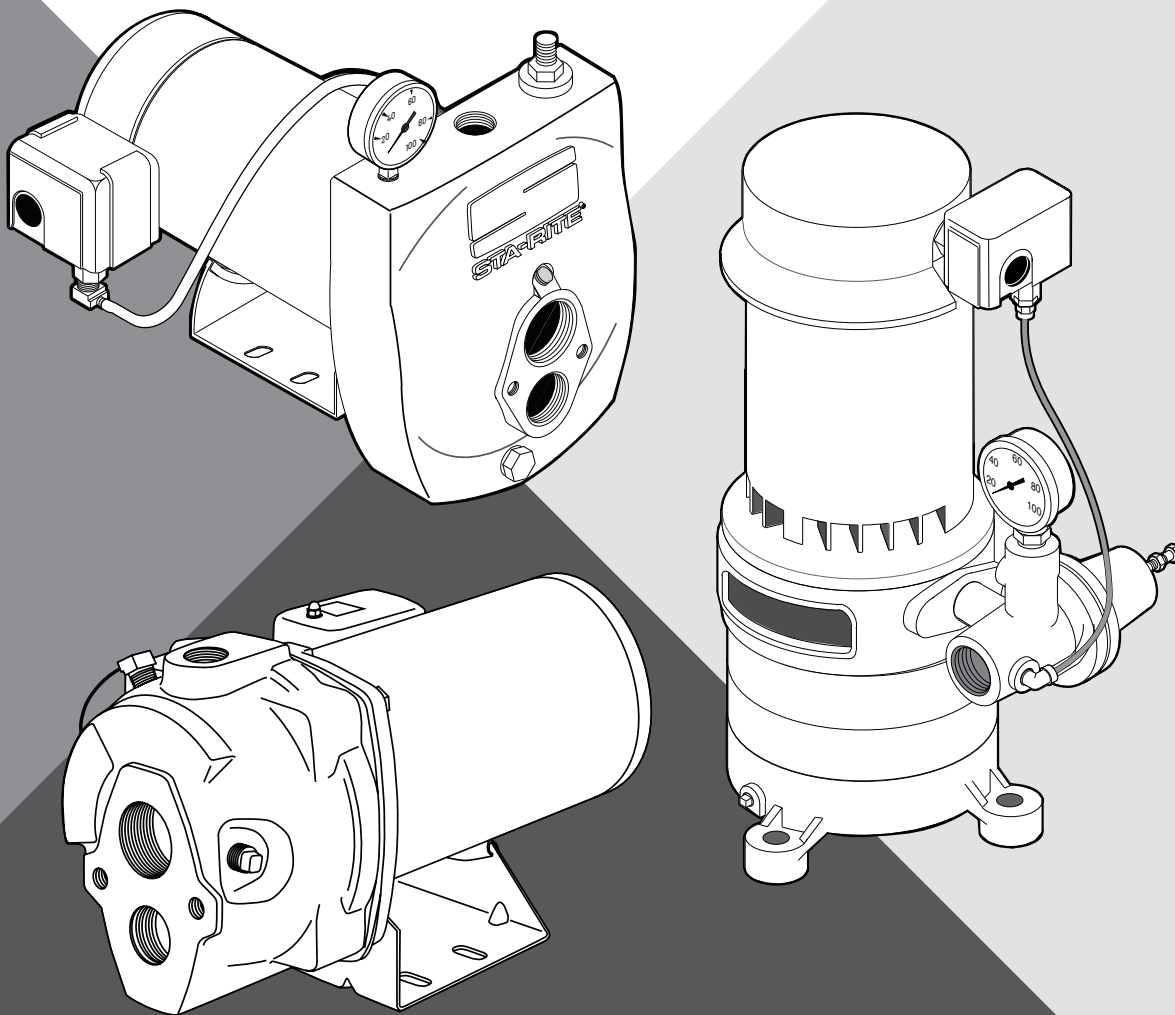


PENTAIR BERKELEY MYERS STA-RITE

CLICK ANYWHERE on THIS PAGE to RETURN to PENTAIR PUMP & TANK MANUALS at [InspectApedia.com](https://www.inspectapedia.com)

PRO CONVERTIBLE JET PUMPS

ENGLISH: 1-38 • FRENCH: 39-76 • SPANISH: 77-114



OWNER'S MANUAL

PENTAIR.COM

©2022 Pentair. All Rights Reserved.

P15004 (12-15-2022)

TABLE OF CONTENTS

SAFETY INFORMATION	3
INTRODUCTION	4
INSTALLATION	5
DISCHARGE PIPE AND PRESSURE TANK CONNECTIONS.....	6
ELECTRICAL	7
PREPARING TO START THE PUMP – DEEP WELL	10
PREPARING TO START THE PUMP – SHALLOW WELL	11
OPERATION.....	12
MAINTENANCE	13
PARTS INDEX.....	20
TROUBLESHOOTING.....	34
WARRANTIES.....	35

THIS MANUAL COVERS THE FOLLOWING MODELS:

- STA-RITE SL, HL, FL, HMS, PL, MS,
- MYERS HR, HJ, MVPH
- BERKELEY SL, HL, LT2, MS

SAFETY INFORMATION

SAFETY SYMBOLS

⚠ This is the safety alert symbol. When you see this symbol on your pump or in this manual, look for one of the following signal words and be alert to the potential for personal injury:

⚠ DANGER warns about hazards that will cause serious personal injury, death or major property damage if ignored.

⚠ WARNING warns about hazards that can cause serious personal injury, death or major property damage if ignored.

⚠ CAUTION warns about hazards that will or can cause minor personal injury or property damage if ignored.

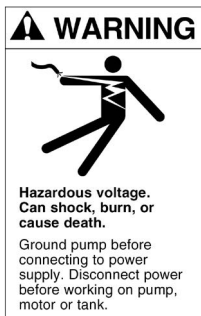
The word **NOTE** indicates special instructions that are important but not related to hazards.

Carefully read and follow all safety instructions in this manual and on pump.

Keep safety labels in good condition. Replace missing or damaged safety labels.

CALIFORNIA PROPOSITION 65 WARNING

⚠ WARNING This product and related accessories contain chemicals known to the State of California to cause cancer, birth defects or other reproductive harm.



- ◆ Wire motor for correct voltage. See “Electrical” section of this manual and motor nameplate.
- ◆ Ground motor before connecting to power supply.
- ◆ Meet National Electrical Code, Canadian Electrical Code, and local codes for all wiring.
- ◆ Follow wiring instructions in this manual when connecting motor to power lines.

GENERAL SAFETY

⚠ CAUTION **DO NOT TOUCH AN OPERATING MOTOR.** Modern motors are designed to operate at high temperatures. To avoid burns when servicing pump, allow it to cool for 20 minutes after shut-down before handling.

- ◆ **DO NOT** allow pump or any system component to freeze. To do so will void warranty.
- ◆ Pump water only with this pump.
- ◆ Periodically inspect pump and system components.
- ◆ Wear safety glasses at all times when working on pumps.
- ◆ Keep work area clean, uncluttered and properly lighted; store properly all unused tools and equipment.
- ◆ Keep visitors at a safe distance from the work areas.

⚠ WARNING Pump body may explode if used as a booster pump unless relief valve capable of passing full pump flow at 75 psi is installed.

ELECTRICAL SAFETY

⚠ WARNING **CAPACITOR VOLTAGE MAY BE HAZARDOUS.** To discharge motor capacitor, hold insulated handle screwdriver **by the handle** and short capacitor terminals together. Do not touch metal screwdriver blade or capacitor terminals. If in doubt, consult a qualified electrician.



⚠ WARNING **HAZARDOUS PRESSURE!** Install pressure relief valve in discharge pipe.

Release all pressure on system before working on any component.

INTRODUCTION

MAJOR COMPONENTS AND WHAT THEY DO

TANK AN AIR VOLUME CONTROL

The tank serves two functions: (1) it provides a reservoir of water – some of which can be drawn through the house fixture before the pump must start; (2) it maintains a cushion of air under pressure.

When a **Pre-charged Bladder Tank** is used, no air volume control is needed. This tank contains an isolated pre-charge of air.

When a **non-bladder type tank** is used, an air volume control adds air to the tank as needed. The air volume control is hooked to the side of the tank and a pressure tube is connected from the air volume control to the suction side of the pump.

PRESSURE SWITCH

A pressure switch is provided for automatic operation. The pump starts when the system pressure drops to the cut-in pressure and stops when system pressure reaches the cut-out pressure.

IMPELLER, JET AND PRESSURE REGULATOR

The pump impeller rotates with the motor shaft, causing an increase in pressure. The rotation of the impeller creates a vacuum, allowing water to be drawn into the pump. Part of the water is diverted back to the jet, where it again passes through the nozzle and venturi, creating additional vacuum to draw in more water and deliver it at high pressure to the impeller.

In a **deep well installation**, the jet assembly is submerged in the well because the vertical distance to the water level exceeds the suction lift of the pump. Adjustment of the regulator causes the correct amount of water to be diverted back to the jet for the most efficient operation.

The regulator may be used to restrict the flow of water in a shallow well system if the convertible pump. Has the capacity to draw more water than the well can produce.

In a **shallow well installation**, the jet assembly is attached directly to the pump because a vacuum will lift water to the pump

WELL WATER LEVEL

Shallow well water systems are recommended for use in wells where the sum of: (1) the vertical measurement from the pump to the water level in the well; (2) the well water drawdown; and (3) the suction pipe friction in feet equals 25 feet or less.

LOCATION

The unit may be installed in any convenient location to the well that provides sufficient space for installation and servicing the well. A dry basement, pit or utility room is an excellent choice when allowed by law. Check with state and local agencies to determine restrictions in your area.

WELLS

A new well should be sand-pumped until clear before installation. Sand will damage pump parts and the seal. The drawdown level of the well should not exceed the maximum rated depth for the pump or the capacity will be reduced and may cause loss of prime.

NOTE: Chlorinating the well may be required before installing a new pump. Check with local health department for recommendations.

PIPE

Plastic pipe is shown in the illustrations. Galvanized iron pipe can be used if desired.

- ◆ The piping must be clean and free of all foreign matter to. Prevent clogging of the jet.
- ◆ If the unit is installed offset from the well to the pump. Unions should be provided where necessary.
- ◆ Provide a drain cock at a low point in the service line to drain the pressure tank.

Be sure all suction connections are airtight. The primary cause of problems in a new installation is air leaks in one or more joints in the suction line.

SEALING PIPE JOINTS

Use only PTFE pipe thread sealant tape or PTFE-based joint compounds for making all threaded connections to the pump itself.

Do not use pipe joint compounds on plastic pumps: they can react with the plastic in pump components. Make sure that all pipe joints in the suction pipe are airtight as well as water tight. If the suction pipe can suck air, the pump will not be able to pull water from the well.

INSTALLATION

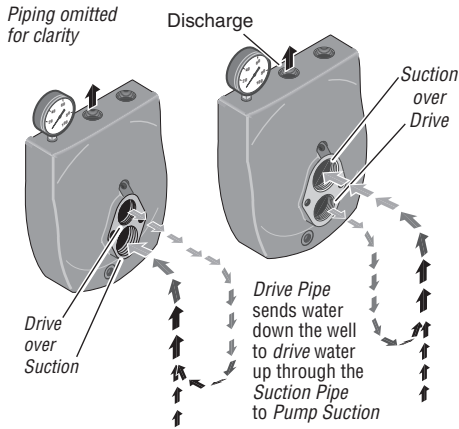


Figure 1: Drive and Suction Functions

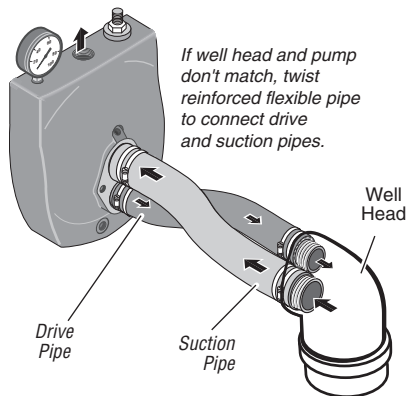


Figure 2: Reversed Connections to Well

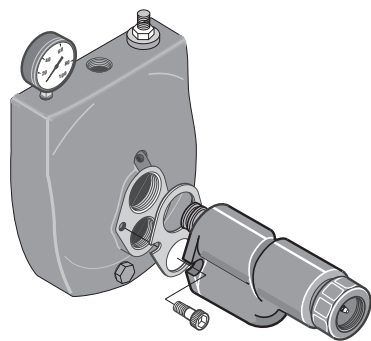


Figure 3: Mount Ejector - Shallow Well

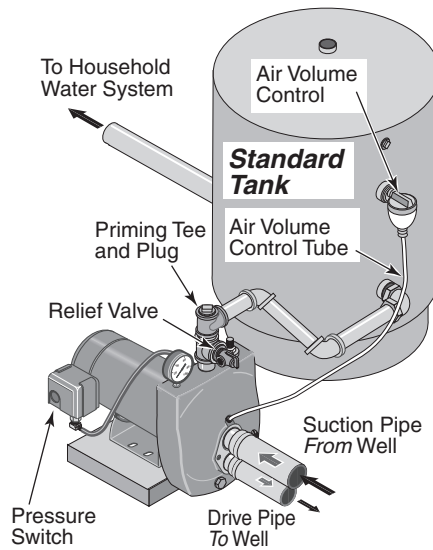
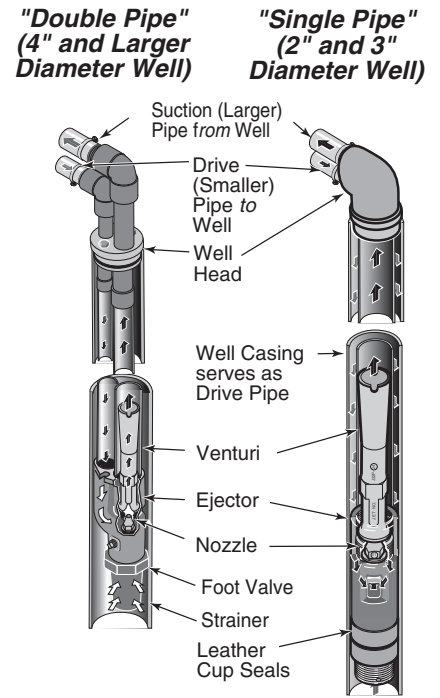


Figure 4: Typical Deep Well Installations



1834 0695

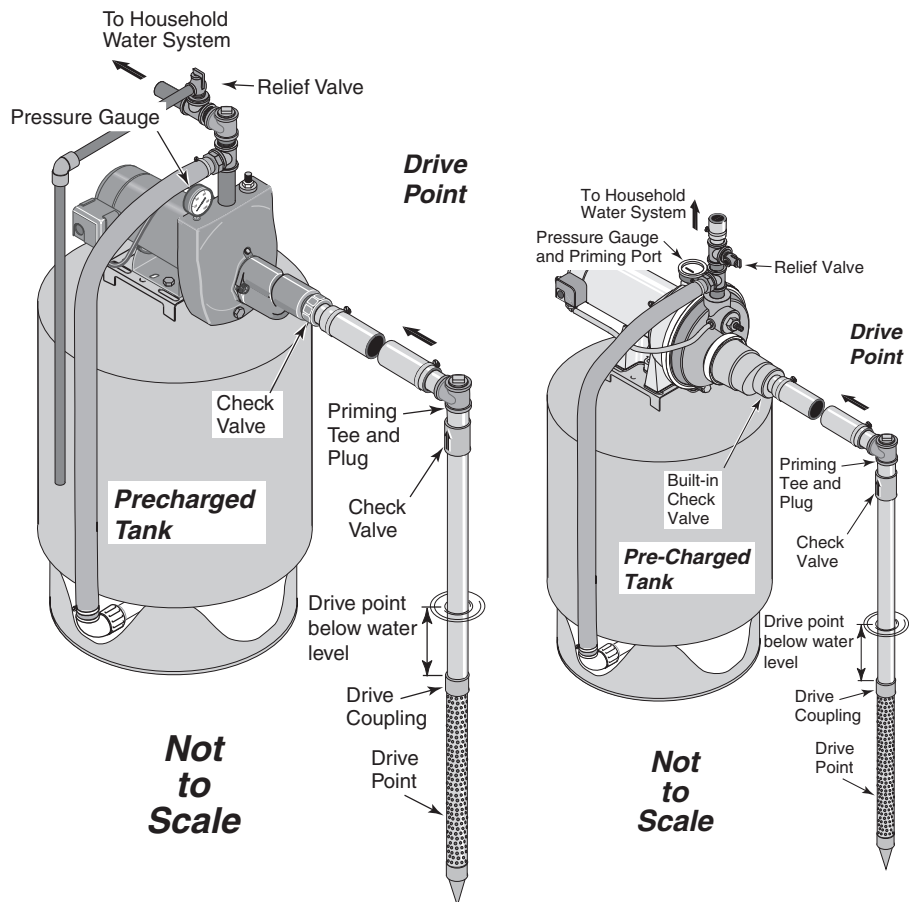


Figure 5: Typical Shallow Well Installations

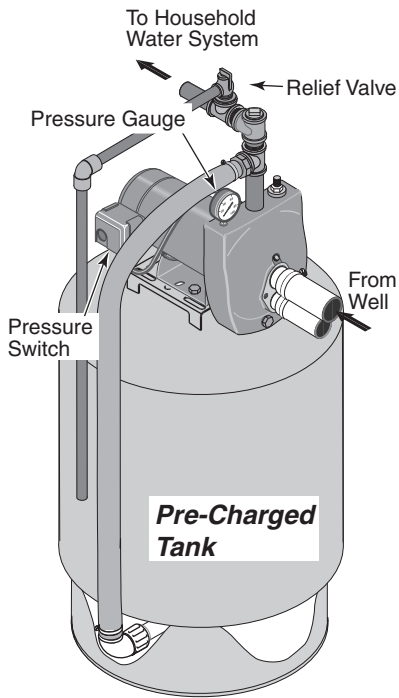
DISCHARGE PIPE AND PRESSURE TANK CONNECTIONS

PRE-CHARGE TANK CONNECTION (FIGURE 6)

If your system uses a pre-charged tank, it should be connected to the pump as shown in Fig. 6. The relief valve must be capable of passing the entire pump capacity at 100 PSI pressure.

Check the pre-charge of air in the tank with an ordinary tire gauge. The pre-charge is measured when there is no water pressure in the tank. Disconnect power to the pump and drain the tank before checking the pre-charge. Your pump has a 30/50 PSI switch, so the tank pre-charge pressure should be 28 PSI (that is, it should be 2 PSI lower than the cut-in pressure of the pressure switch).

No AVC is required for a pre-charged tank; the 1/8" NPT AVC port on the pump body should be plugged.



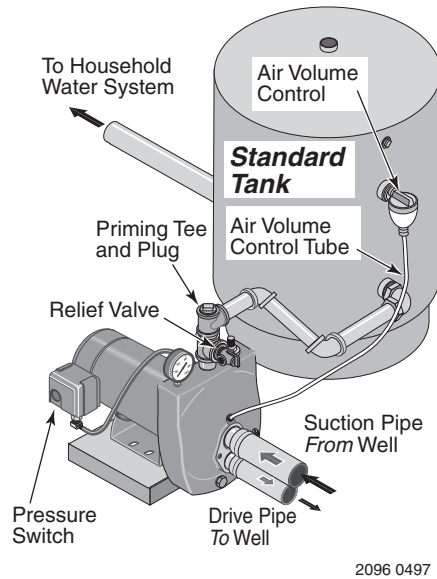
2110 0497

Figure 6: Pre-charged Tank Connections

STANDARD TANK CONNECTION (FIGURE 7)

If your system uses a standard tank, connect it to the pump as shown in Figure 7. The relief valve used with a standard tank must be capable of passing the entire pump capacity at 75 PSI pressure.

Connect the Air Volume Control (AVC) tube to the 1/8" NPT AVC port on the pump body. Run the tubing from the pump's AVC port to the AVC mounted on the tank. See the instructions provided with tank and AVC for details.



2096 0497

Figure 7: Standard Tank Connections

SEALING PIPE JOINTS

Use only PTFE pipe thread sealant tape for making all threaded connections to the pump itself. **Do not use pipe joint compounds on plastic pumps:** they can react with the plastic in pump components. Make sure that all pipe joints in the suction pipe are air tight as well as water tight. If the suction pipe can suck air, the pump will not be able to pull water from the well.

ELECTRICAL

MOTOR SWITCH SETTINGS

⚠ DISCONNECT POWER BEFORE WORKING ON PUMP, MOTOR, PRESSURE SWITCH, OR WIRING.

NOTE: 1/3 and 1/2 HP motors are dual voltage and are factory set to 115V 3/4 & 1 HP motors are also dual voltage, but are factory set 230V. Motor terminal board (located under the motor end cover) should look like that shown below. Use the instructions to set your motor to match your power source.

⚠ WARNING Never connect a motor set to 115V to a 230 V power source.

PLUG TYPE VOLTAGE SELECTOR

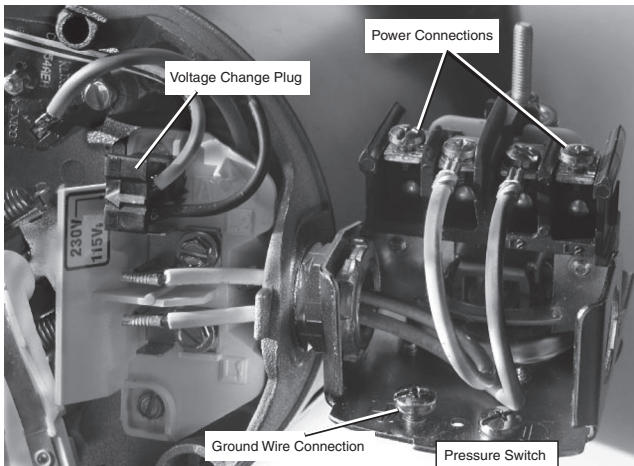


Figure 8: Voltage set to 230 volts, Plug Type

Voltage is factory set to 230 volts. To change to 115 volts:

1. Make sure power is off.
2. Pull the voltage change plug off of the tabs.
3. Move the voltage change plug to the 115 volt position.

The plug will now cover 2 metal tabs and the arrow on the plug will line up with the 115V arrow on the label (see Figure 9).

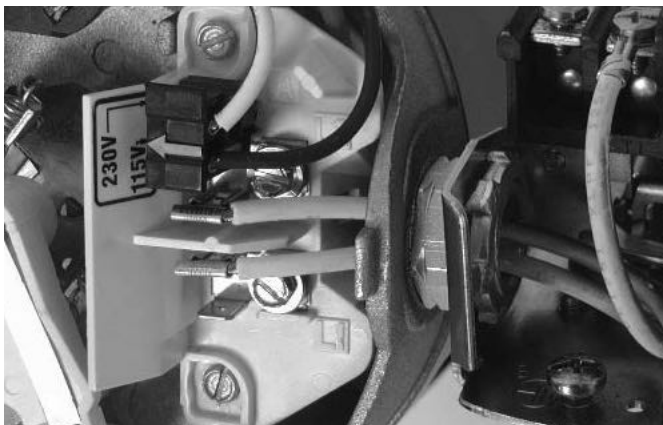


Figure 9: Voltage set to 115 volts, Plug Type

4. Attach the incoming power leads to the two outer screws on the pressure switch as shown in Figure 8.
5. Attach the ground wire to one of the grounding connections, shown in Figure 8.
6. If there are other wires, they should be capped.
7. Reinstall the Motor end cover.

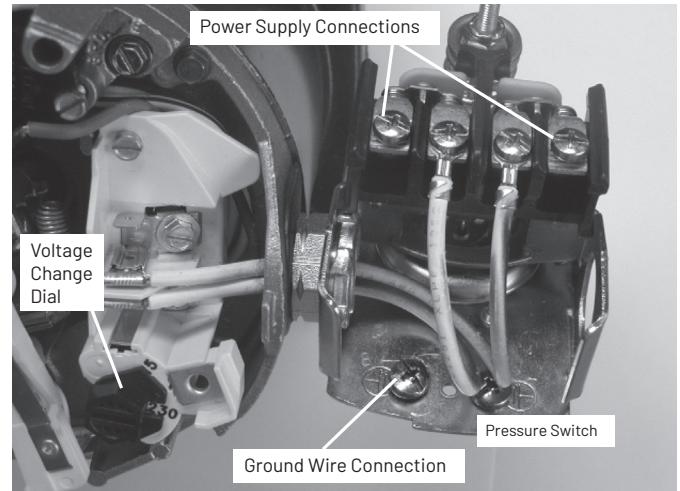


Figure 10: Voltage set to 230 volts, Dial Type

Voltage is factory set to 230 volts. To change to 115 volts:

1. Make sure power is off.
2. Turn the dial counter-clockwise until 115 shows in the dial window as shown in Figure 11.

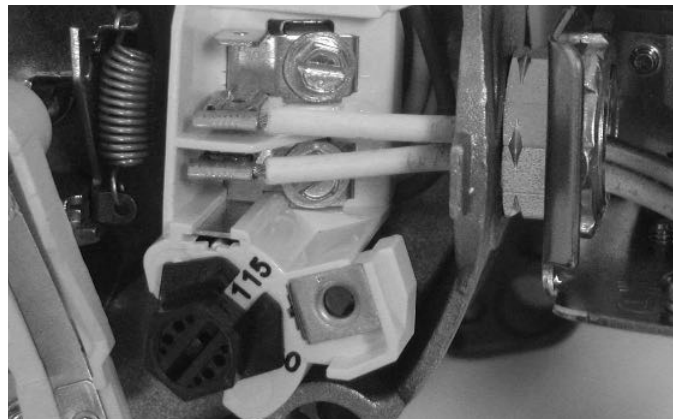


Figure 11: Voltage set to 115 volts, Dial Type

3. Attach the incoming power leads to the two outer screws on the pressure switch as shown in Figure 10.
4. Attach the ground wire to the grounding connections as shown in Figure 10.
5. If there are other wires, they should be capped.
6. Reinstall the Motor end cover.

ELECTRICAL

⚠ WARNING HAZARDOUS VOLTAGE. Can shock, burn, or kill. Connect ground wire before connecting power supply wires. Use the wire size (including the ground wire) specified in the wiring chart. If possible, connect the pump to a separate branch circuit with no other appliances on it.

⚠ WARNING EXPLOSION HAZARD. Do not ground to a gas supply line.

WIRING CONNECTIONS

⚠ WARNING FIRE HAZARD. Incorrect voltage can cause a fire or seriously damage the motor and voids the warranty. The supply voltage must be within $\pm 10\%$ of the motor nameplate voltage.

- ◆ Dual-voltage motors are factory wired for 230 volts. If necessary, reconnect the motor for 115 volts, as shown. Do not alter the wiring in single voltage motors.
- ◆ Install, ground, wire, and maintain your pump in compliance with the United States National Electrical Code (NEC) or the Canadian Electrical Code (CEC), as applicable, and with all local codes and ordinances that apply. Consult your local building inspector for code information.

CONNECTION PROCEDURE

1. Connect the ground wire first (Figure 9). The ground wire must be a solid copper wire at least as large as the power supply wires.
2. There must be a solid metal connection between the pressure switch and the motor for motor grounding protection. If the pressure switch is not connected to the motor, connect the green ground screw in the switch to the green ground screw under the motor end cover. Use a solid copper wire at least as large as the power supply wires.
3. Connect the ground wire to a grounded lead in a service panel, to a metal underground water pipe, to a metal well casing at least ten feet (3M) long, or to a ground electrode provided by the power company or the hydro authority.
4. Connect the power supply wires to the pressure switch as shown in Figure 9.

SL, FL, PL, HR, SERIES

HORSEPOWER	VOLTAGE	MAX. LOAD AMPS	BRANCH FUSE RATING AMP	DISTANCE IN FEET (METERS) FROM MOTOR TO SUPPLY			
				0-100 (0-30)	101-200 (31-61)	201-300 (62-91)	301-400 (92-122)
				AWG WIRE SIZE (MM ²)			
1/2	115/230	8.5/4.3	15/15	14/14 (2/2)	12/14 (3/2)	10/14 (5.5/2)	8/14 (8.4/2)
3/4	115/230	11.4/5.7	20/15	14/14 (2/2)	10/14 (5.5/2)	8/14 (8.4/2)	6/12 (14/3)
1	115/230	12.2/6.1	25/15	12/14 (3/2)	8/14 (8.4/2)	8/14 (8.4/2)	6/12 (14/3)
1-1/2	115/230	18.4/9.2	30/20	10/14 (5.5/2)	8/14 (8.4/2)	6/12 (14/3)	4/10 (21/5.5)

HL SERIES

HORSEPOWER	VOLTAGE	MAX. LOAD AMPS	BRANCH FUSE RATING AMP	DISTANCE IN FEET (METERS) FROM MOTOR TO SUPPLY			
				0-100 (0-30)	101-200 (31-61)	201-300 (62-91)	301-400 (92-122)
				AWG WIRE SIZE (MM ²)			
1/2	115/230	11.4/5.7	20/15	14/14 (2/2)	10/14 (5.5/2)	8/14 (8.4/2)	6/12 (14/3)
3/4	115/230	12.2/6.1	25/15	12/14 (3/2)	8/14 (8.4/2)	8/14 (8.4/2)	6/12 (14/3)
1	115/230	18.4/9.2	30/20	10/14 (5.5/2)	8/14 (8.4/2)	6/12 (14/3)	4/10 (21/5.5)

ELECTRICAL

HMS, LT2 SERIES

HORSEPOWER	VOLTAGE	MAX. LOAD AMPS	BRANCH FUSE RATING AMP	DISTANCE IN FEET (METERS) FROM MOTOR TO SUPPLY			
				0-100 (0-30)	101-200 (31-61)	201-300 (62-91)	301-400 (92-122)
				AWG WIRE SIZE (MM ²)			
3/4	115/230	14.8/7.4	20/15	12/14 (3/2)	8/14 (8.4/2)	6/14 (14/2)	6/12 (14/3)
1	115/230	19.2/9.6	25/15	10/14 (5.5/2)	8/14 (8.4/2)	6/12 (14/3)	4/10 (21/5.5)
1-1/2	115/230	24.0/12.0	30/15	10/14 (5.5/2)	6/14 (14/2)	6/12 (14/3)	4/10 (21/5.5)

MS, MVPH SERIES

HORSEPOWER	VOLTAGE	MAX. LOAD AMPS	BRANCH FUSE RATING AMP	DISTANCE IN FEET (METERS) FROM MOTOR TO SUPPLY			
				0-100 (0-30)	101-200 (31-61)	201-300 (62-91)	301-400 (92-122)
				AWG WIRE SIZE (MM ²)			
3/4	115/230	14.8/7.4	20/15	12/14 (3/2)	8/14 (8.4/2)	6/14 (14/2)	6/12 (14/3)
1	115/230	18.4/9.2	30/20	10/14 (5.5/2)	8/14 (8.4/2)	6/12 (14/3)	4/10 (21/5.5)
1-1/2	230	12	15	14 (2)	14 (2)	12 (3)	10 (5.5)
2	230	11.5	15	14 (2)	14 (2)	12 (3)	10 (5.5)

HJ SERIES

HORSEPOWER	VOLTAGE	MAX. LOAD AMPS	BRANCH FUSE RATING AMP	DISTANCE IN FEET (METERS) FROM MOTOR TO SUPPLY			
				0-100 (0-30)	101-200 (31-61)	201-300 (62-91)	301-400 (92-122)
				AWG WIRE SIZE (MM ²)			
1/2	115/230	11.2/5.6	20/15	12/14 (3/2)	10/14 (5.5/2)	8/14 (8.4/2)	6/12 (14/3)
3/4	115/230	14.8/7.4	20/15	12/14 (3/2)	8/14 (8.4/2)	6/14 (14/2)	6/12 (14/3)
1	115/230	18.6/9.3	25/15	10/14 (5.5/2)	8/14 (8.4/2)	6/12 (14/3)	4/10 (21/5.5)

PREPARING TO START THE PUMP – DEEP WELL

PREPARING TO START THE PUMP

⚠ WARNING NEVER RUN PUMP AGAINST CLOSED DISCHARGE.

To do so can boil water inside pump, causing hazardous pressure in unit, risk of explosion and possibly scalding persons handling pump.

⚠ CAUTION NEVER RUN PUMP DRY. Running pump without water may cause pump to overheat, damaging seal and possibly causing burns to persons handling pump. Fill pump with water before starting.

1. Open the control valve as far as possible (see Figure 12). Then remove the priming plug from the pump and fill the pump, fill all piping between the pump and the well, and make sure that all piping in the well is full. If you have also installed a priming tee in the suction piping, remove the plug from the tee and fill the suction piping.

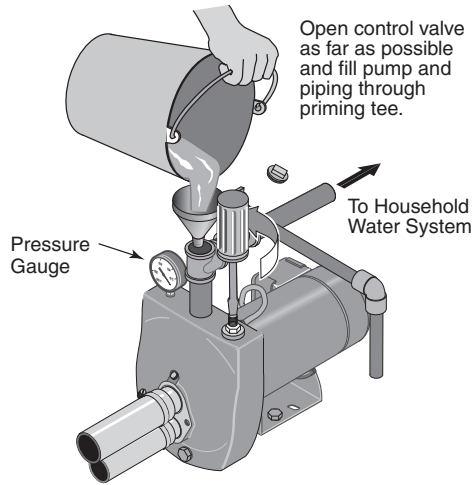


Figure 12: Fill Pump

2. Replace all fill plugs and close the control valve completely (Figure 13).

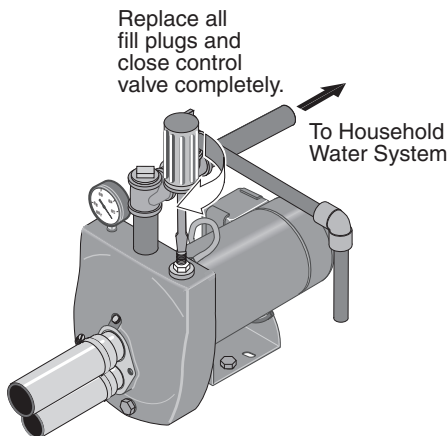


Figure 13: Prime Pump

3. Power on! Start the pump and watch the pressure gauge. The pressure should build rapidly to 50 PSI as the pump primes.
4. After 2 or 3 minutes, the gauge should show pressure. If not, stop the pump, remove the fill plugs, reopen the control valve, and refill the pump and piping. You may have to repeat this two or three times in order to get all the trapped air out of the piping. Don't forget to close the control valve each time before you start the pump.
5. When pressure has built up and stabilized at about 50 PSI, slowly open the control valve (see Figure 14) and let the pressure drop until the pressure gauge needle starts to flutter. When the needle flutters, close the valve just enough to stop the flutter (see Figure 14). Your pump is now operating at its most efficient point.

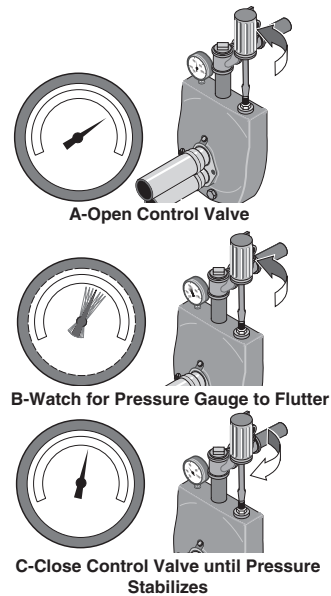


Figure 14: Set Control Valve

6. After the pump has built up pressure in the system and shut off, check the pressure switch operation by opening a faucet or two and running enough water out to bleed off pressure until the pump starts. The pump should start when pressure drops to 30 PSI and stop when pressure reaches 50 PSI. Run the pump through one or two complete cycles to verify correct operation. This will also help clean the system of dirt and scale dislodged during installation.

NOTE: Packer jets (2" and 3" single pipe wells) do not form a perfect seal. Normal irregularities in the cup seal leather and the inner walls of the casing will allow the pressure in a dormant system to leak off over time. This will cause the pump to cycle periodically to maintain the system pressure level.

PREPARING TO START THE PUMP – SHALLOW WELL

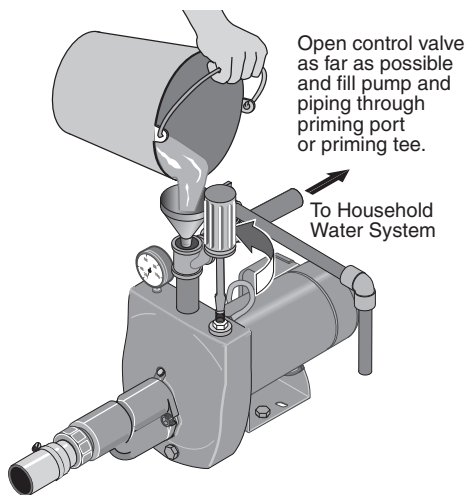
PREPARING TO START THE PUMP

⚠ CAUTION **NEVER RUN PUMP DRY.** Running pump without water may cause pump to overheat, damaging seal and possibly causing burns to persons handling pump. Fill pump with water before starting.

⚠ WARNING **NEVER RUN PUMP AGAINST CLOSED DISCHARGE.** To do so can boil water inside pump, causing hazardous pressure in unit, risk of explosion and possibly scalding persons handling pump.

1. Open the control valve as far as possible (see Figure 15). Then remove the priming plug from the pump and fill the pump, fill all piping between the pump and the well, and make sure that all piping in the well is full. If you have also installed a priming tee in the suction piping, remove the plug from the tee and fill the suction piping.

2. Replace all fill plugs. Leave the control valve open (in a shallow well installation, the control valve always stays open).
3. Power on! Start the pump. The pump should pump water in two or three minutes.
4. If you don't have water after 2 or 3 minutes, stop the pump and remove the fill plugs. Refill the pump and piping. You may have to repeat this two or three times in order to get all the trapped air out of the piping. The control valve remains open throughout this procedure.
5. After the pump has built up pressure in the system and shut off, check the pressure switch operation by opening a faucet or two and running enough water out to bleed off pressure until the pump starts. The pump should start when pressure drops to 30 PSI and stop when pressure reaches 50 PSI. Run the pump through one or two complete cycles to verify correct operation. This will also help clean the system of dirt and scale dislodged during installation.



2411 0497

Figure 15: Open Control Valve

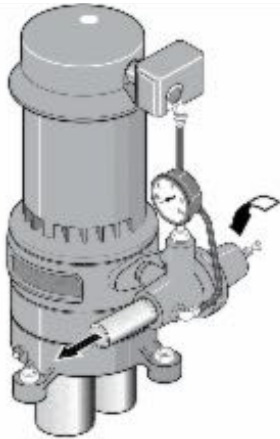


Figure 16A: Close Regulator

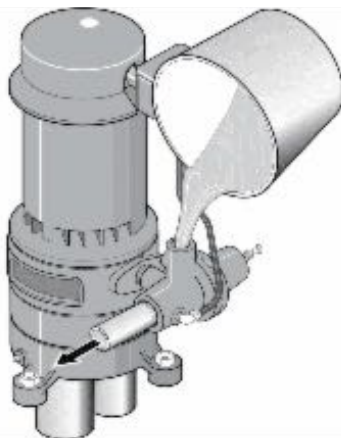


Figure 16B: Fill Pump with Water



Figure 16C: Start Pump

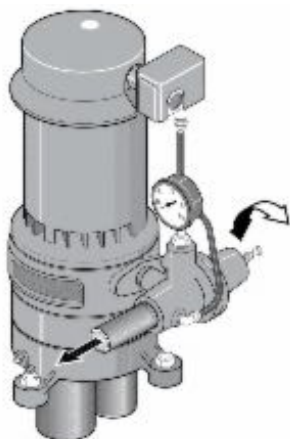


Figure 16D: Adjustor Regulator

PREPARING TO START THE PUMP

⚠ CAUTION NEVER RUN PUMP DRY. Running pump without water may cause pump to overheat, damaging seal and possibly causing burns to persons handling pump. Fill pump with water before starting.

⚠ WARNING NEVER RUN PUMP AGAINST CLOSED DISCHARGE. To do so can boil water inside pump, causing hazardous pressure in unit, risk of explosion and possibly scalding persons handling pump.

NOTE: Open water system faucets before priming pump for the first time.

1. Remove pressure gauge.
 - a. Close regulator valve (turn clockwise - see Figure 16A).
 - b. Fill pump and suction pipe with water (Figure 16B).
 - c. Replace pressure gauge, using PTFE pipe thread sealant tape on thread; tighten gauge.

IMPORTANT: If a priming tee and plug have been provided for a long horizontal run, be sure to fill suction pipe through this tee and replace plug. (Do not forget to PTFE pipe thread sealant tape the plug.)

2. Start pump: Pressure should build rapidly so 50 pounds per square inch or more as ejector and pump prime.

IF NO PRESSURE OR NO WATER, REPEAT Step No.1 (above) two or three times to remove entrapped air from the suction pipes.

3. If, after priming pump several times, no water is pumped, check the following:
 - a. Suction pipe in the water and has no leaks.
NOTE: Air can leak in even where water won't leak out. Make sure all joints are tight.
 - b. Control valve, check valve, or foot valve installed and operating correctly.
 - c. Pump trying to lift water more than 25 feet (shallow well) or more than rated lift for deep well ejector used (including compensation for horizontal offset).
 - d. Be sure pump is not air locked. In offset installations, pump suction port should be highest point in suction pipe; there should be no sags in suction pipe (run it straight and at a slight angle upward from well head to pump).

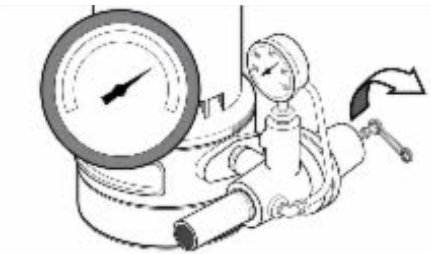


Figure 17A: Open Regulator Valve



Figure 17B: Watch for Pressure Gauge to Flutter

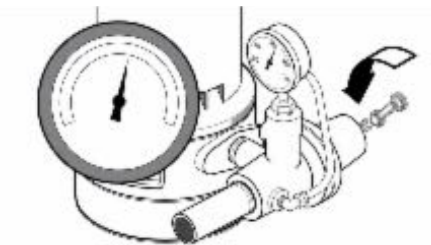


Figure 17C: Close Regulator Valve until Pressure Stabilizes

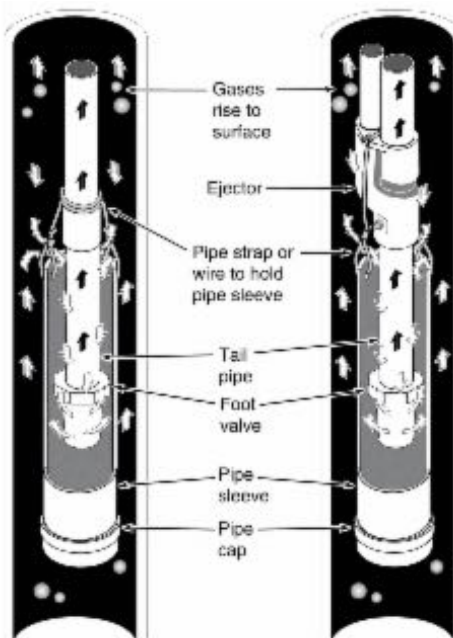


Figure 18: Gas/Air Control in Well

4. Once unit has primed and pressure stabilized, slowly open (turn counterclockwise - Figure 17A) regulator valve until pressure falters (pressure gauge needle flutters; pump may become noisy - see Figure 17B). At this point, close (turn clockwise) regulator valve slightly until pressure stabilizes. This setting provides maximum flow (Figure 17C).
5. Pump may draw well down far enough at this point to lose its prime. If so, close regulator valve until pressure is stable throughout pumping cycle. Close faucets and allow pump to pressurize tank and shut off.
6. Check system by alternately opening and closing faucets in the system. With faucets open, pressure will drop until pump starts; with faucets closed pressure will build up until pump shuts off.
7. There are conditions of deep well operation when the regulator valve may be completely open without any faltering of pressure. In this case, operate pump with regulator valve open.

HOW TO HANDLE A GASEOUS WELL

In some areas well water contains gases which must be allowed to escape before the water is used. To deliver gas-free water suspend a pipe, closed at the bottom and open at the top, so that it surrounds the suction pipe inlet (see Figure 18). Since the gases rise in the well casing, the water sucked down through the pipe and into the suction pump is free of gas. This type of well must be vented to the outside of any enclosure.

AIR CONTROL IN FLOWING WELLS

Flowing wells or wells with little or no drawdown, could create a special problem in air control in the operation of your standard tank system. In such cases, a pre-charged tank (which needs no air control) is recommended.

MAINTENANCE

HJ AND HJA MODELS

⚠ WARNING RISK OF ELECTRIC SHOCK

Can shock, burn or kill. To guard against accidental personal injury, the electric power to the pump should be turned off and the pressure tank drained before servicing pump.

HOW TO DISMANTLE (HJ DEEP WELL)

1. Disconnect power and drain pressure tank before dismantling pump.
2. Disconnect pressure switch tube, remove pump case bolts and bracket from foot bolts.
3. Use heavy screwdriver behind bolt ears and pry motor bracket from case.
4. Remove diffuser plate bolts and take off diffuser (Figure 109). When replacing diffuser, use three .010" thick shims equally spaced between impeller eye and diffuser to prevent impeller rubbing diffuser and binding.

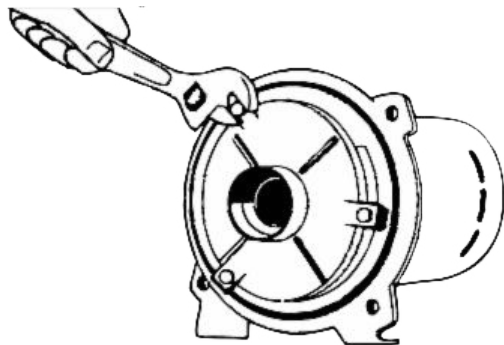


Figure 19: Remove Diffuser Plate

5. Remove impeller by holding pump shaft with water pump pliers and unscrewing impeller - left-hand counterclockwise facing the impeller to remove (Figure 20). Impeller can also be removed by prying out motor shaft end cap. Use a screwdriver in slot in end of shaft or a 7/16" open end wrench on shaft flats and hold to prevent shaft rotation. Unscrew impeller counterclockwise.

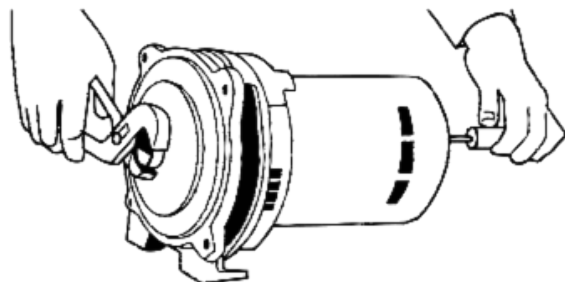


Figure 20: Remove Impeller

6. Using two screwdrivers, as shown in Figure 21, pry out rotating assembly of shaft seal.

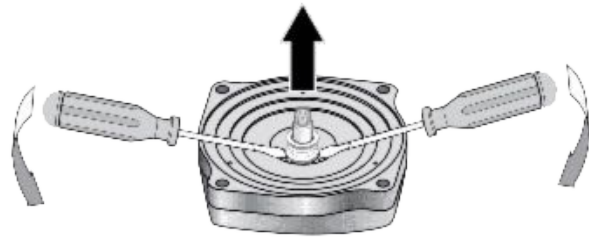


Figure 21: Pry Out Seal

7. Pump shaft is extension of motor shaft so it is not necessary to replace or adjust for seal position.
8. Remove 4 bolts holding motor to bracket and remove motor.

HOW TO DISMANTLE (HJ SHALLOW WELL)

1. Disconnect power and drain pressure tank before dismantling pump.
2. Remove case bolts and pry bracket from pump case.
3. Remove screen and plastic diffuser plate. When replacing diffuser, use three .010" thick shims equally spaced between impeller eye and diffuser to prevent impeller rubbing diffuser and bindings.
4. On 1/2 HP models, hold impeller with pliers and unscrew venturi tube. On 3/4 and 1 HP models, venturi tube is screwed into the pump case (Figure 22).

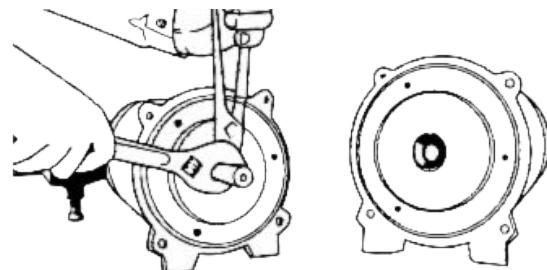


Figure 22: Remove Venturi

5. Hold pump shaft with pliers and unscrew impeller as shown (Figure 11).
6. When replacing impeller, file any plier cuts on shaft smooth after tightening in place.
7. Priming screen must be placed with dimple down. THIS IS IMPORTANT FOR PROPER PRIMING. DO NOT LEAVE THIS SCREEN OFF.
8. Nozzle on 1/2 HP models can be removed from pump case with any standard 1-1/4" socket wrench with an extension (Figure 23). On 3/4 and 1 HP models venturi tube and nozzle can be removed in same manner using 27/32" socket for the venturi and 9/16" socket with extension for nozzle.

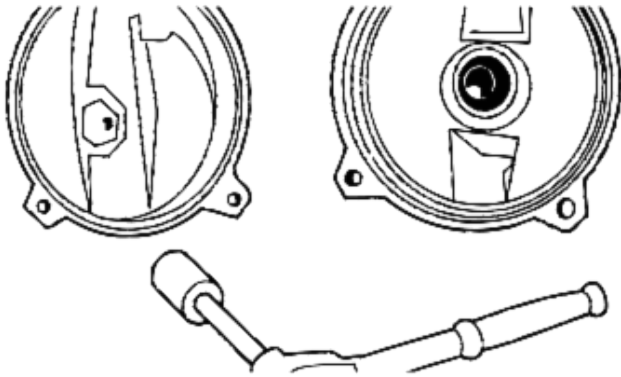


Figure 23: Remove Nozzle

9. When replacing nozzle and venturi, be sure they are tight against the shoulder. Use care to not cross thread. If nozzle is not fully engaged in case, flow will be blocked by venturi entrance.
10. Remove 4 bolts holding motor to bracket and remove motor.

REPLACING MECHANICAL SEAL

1. The seal used on all HJ units is 5/8" size.
2. This seal is made in two parts:
 - a. Rotating assembly, stainless steel spring, drive ferrule with rubber ring and carbon seal ring.
 - b. Stationary ceramic seal ring mounted in synthetic rubber cup.
3. Always replace both rotating assembly and stationary ceramic seal. **DO NOT USE OLD STATIONARY SEAT WITH NEW ROTATING ASSEMBLY SEAL.**
4. Old ceramic ring can be removed from housing by cracking with a chisel or screwdriver without removing the pump shaft.
5. Housing and shaft must be clean and free of sand and dirt before replacing new seal. Wash parts with clean water.
6. Place stationary ceramic seal into housing. Press in with fingers only.
7. Place rotating assembly unit on shaft, carbon ring toward ceramic seat, and press into position with fingers.
8. Dirt on seal faces can cause failure.

All pumping parts of unit can be removed from case without disturbing well piping or tank piping.

HR MODELS

HOW TO DISMANTLE (HR DEEL WELL)

1. Disconnect power and drain pressure tank before dismantling pump.
2. Disconnect the pressure switch tube, remove the 4 cap screws and separate the pump case from the seal plate.
3. Remove the 3 cap screws holding the diffuser to the seal plate and remove the diffuser. When replacing the diffuser, use three .010" thick shims equally spaced between the impeller eye and diffuser opening. This centers the diffuser and prevents impeller rub (Figure 24).

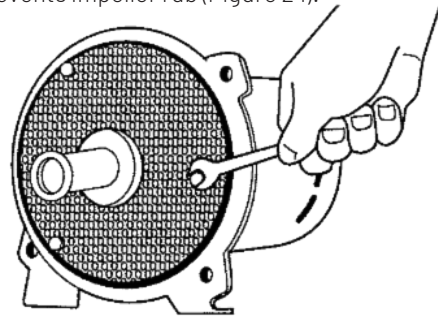


Figure 24: Remove Diffuser

4. Remove the impeller by holding the pump shaft with a screwdriver placed in the slot end of the motor shaft and rotating the impeller counterclockwise (Figure 25).

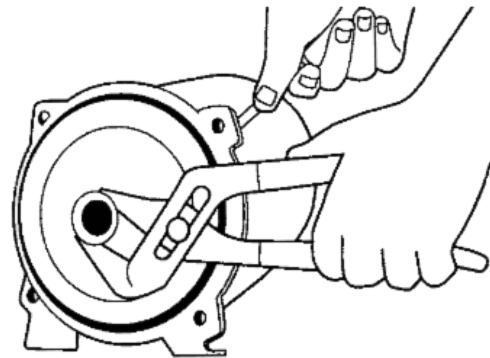


Figure 25: Remove Impeller

5. Remove the rotating assembly of the shaft seal.
6. The seal plate may now be removed.
7. The ceramic stationary seal can be driven out using a 3/4" dowel.

MAINTENANCE

HOW TO DISMANTLE (HR SHALLOW WELL)

1. Disconnect power and drain pressure tank before dismantling pump.
2. Disconnect the pressure switch tube, remove the 4 cap screws, and separate the pump case from the seal plate.
3. Remove the 3 cap screws holding the diffuser to the seal plate and remove the diffuser. When replacing the diffuser, use three .010" thick shims equally spaced between the impeller eye and diffuser opening. This centers the diffusers and prevents impeller rub (Figure 25).
4. On 1/2 HP models, unscrew venturi tube from impeller. On 3/4 and 1 HP models, venturi tube is screwed into the pump case (Figure 26).

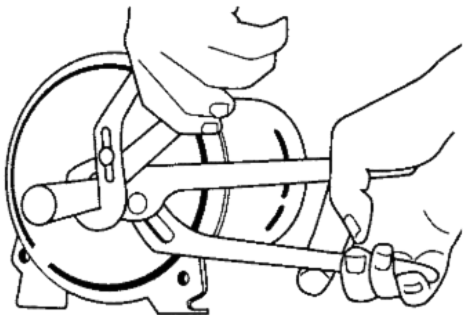


Figure 26: Remove Venturi

5. Remove the impeller by holding the motor shaft with a screwdriver placed in the slot end of the shaft, and rotating the impeller counterclockwise.
6. The nozzle on 1/2 HP models can be removed from pump case with any standard 1-1/4" socket wrench with an extension (Figure 27). On 3/4 and 1 HP models the nozzle is part of the pump body. When replacing nozzle and venturi, be sure they are tight against the shoulder. Use care to not cross thread. If nozzle is not fully engaged in case, flow will be blocked by venturi entrance.

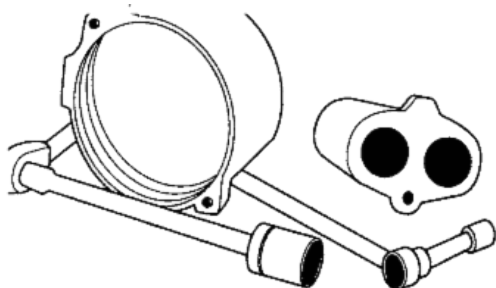


Figure 27: Remove Nozzle

7. Remove the rotating assembly of the shaft seal.
8. The seal plate may now be removed.
9. Drive the ceramic stationary seal out with a 3/4" dowel.

REPLACING MECHANICAL SEAL

Before handling shaft seal parts, make sure your hands are clean. Always replace both the ceramic stationary seal and the rotating assembly.

1. Clean the shaft and seal cavity with water.
2. Lubricate the seal cavity and the rubber cup of the ceramic stationary seal with soapy water.
3. Press the stationary ceramic seat into housing. Press in with fingers only.
4. Install seal plate on motor. Take care to not scratch ceramic seal.
5. Install rotating seal assembly on shaft, carbon ring toward ceramic seat, and press into position with fingers. The carbon face should be lubricated with soapy water.
6. Install the impeller. Tighten with a screwdriver holding the shaft.

All pumping parts of unit can be removed from case without disturbing well piping or tank piping.

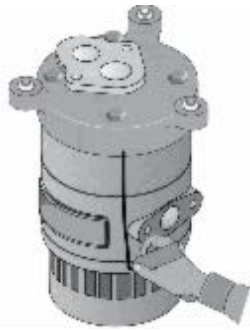


Figure 28

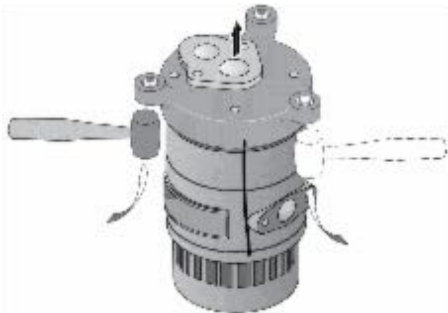


Figure 29

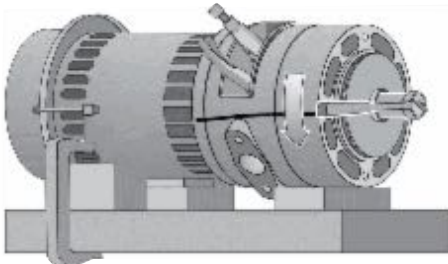


Figure 30

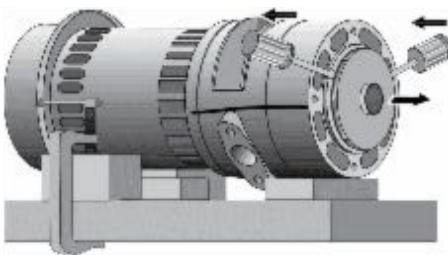


Figure 31

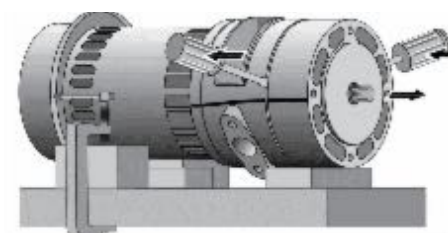


Figure 32

HOW TO DISMANTLE (HR SHALLOW WELL)

1. Pull disconnect switch. Disconnect power lines from pressure switch.
2. Remove the two cap screws holding the pump to the flange adapter. Do not disturb the piping in the well.
3. Remove the flange adapter gasket and scrape the surfaces clean.
4. Leaving the tubing in place, unscrew and remove the straight barbed fitting at the pressure switch.
5. Draw a line down the side of the pump with a marker to help alignment during reassembly. Mark the pump from the motor to the base volute (see Figure 28).
6. Turn the pump upside down on the bench and block it. Remove the four cap screws from the base. With a mallet, tap upward on the base to loosen it. Lift the base off of the intermediate volute (See Figure 29).
7. To reduce the chance of dropping the pump onto your foot, lay it down on the bench; block it so it won't roll.
8. Hold the motor shaft with pliers or vice grips through the opening in the pump adapter. Unscrew the impeller nut off the end of the shaft (see Figure 30).
9. The impellers are keyed to the shaft and do not unscrew. Inset two screw drivers on opposite sides under the exposed impeller and pry the impeller off (Figure 31) to remove it.
10. Carefully tap a small screwdriver or thin bladed chisel in between the intermediate volute and the pump adapter in two or three places around the pump to separate the castings (Figure 32). Do not mar the sealing surfaces; do not break pieces out to the adapter or volute - the castings are easily damaged.
11. Remove the intermediate volute and slide the impeller spacer off of the shaft
12. Remove the impeller. Do not disturb the shaft keys if you are only replacing the seal.
13. Rotate the seal spring retainer cup so that the slot lines up with the shaft keys; remove the cup and spring.
14. Remove the two cap screws holding the adapter bracket to the motor.
15. With two screwdrivers on opposite sides of the pump, carefully pry the pump adapter away from the motor. This will pull the seal off of the motor shaft. Use caution to make sure that the ceramic seal does not dig into the shaft and scratch the shaft's sealing surface.

INSTALLATION OF NEW SEAL

1. Clean all gasket surfaces thoroughly before reassembly. Clean the seal bore cavity in the pump adapter.
2. Wet the rubber seat ring with soapy water and push the stationary part of the seal into the seal bore cavity. Use a piece of 1" pipe pressing on a cardboard washer (to prevent damaging seal surface) as press. Make sure that the seal half is fully seated in the seal bore cavity. Remove the cardboard once the seal is in place.

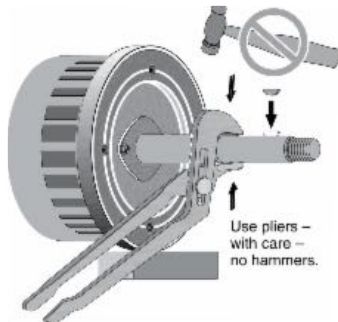


Figure 33

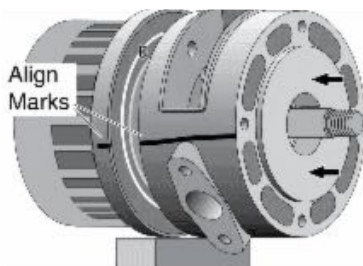


Figure 34

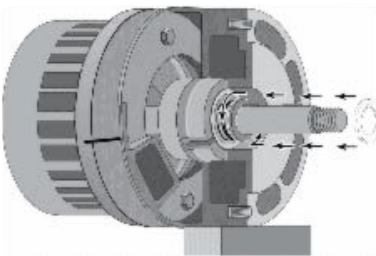


Figure 35

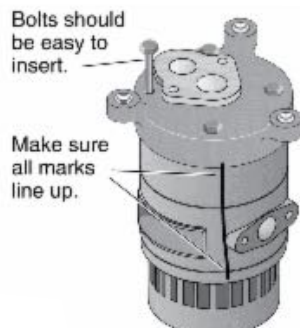


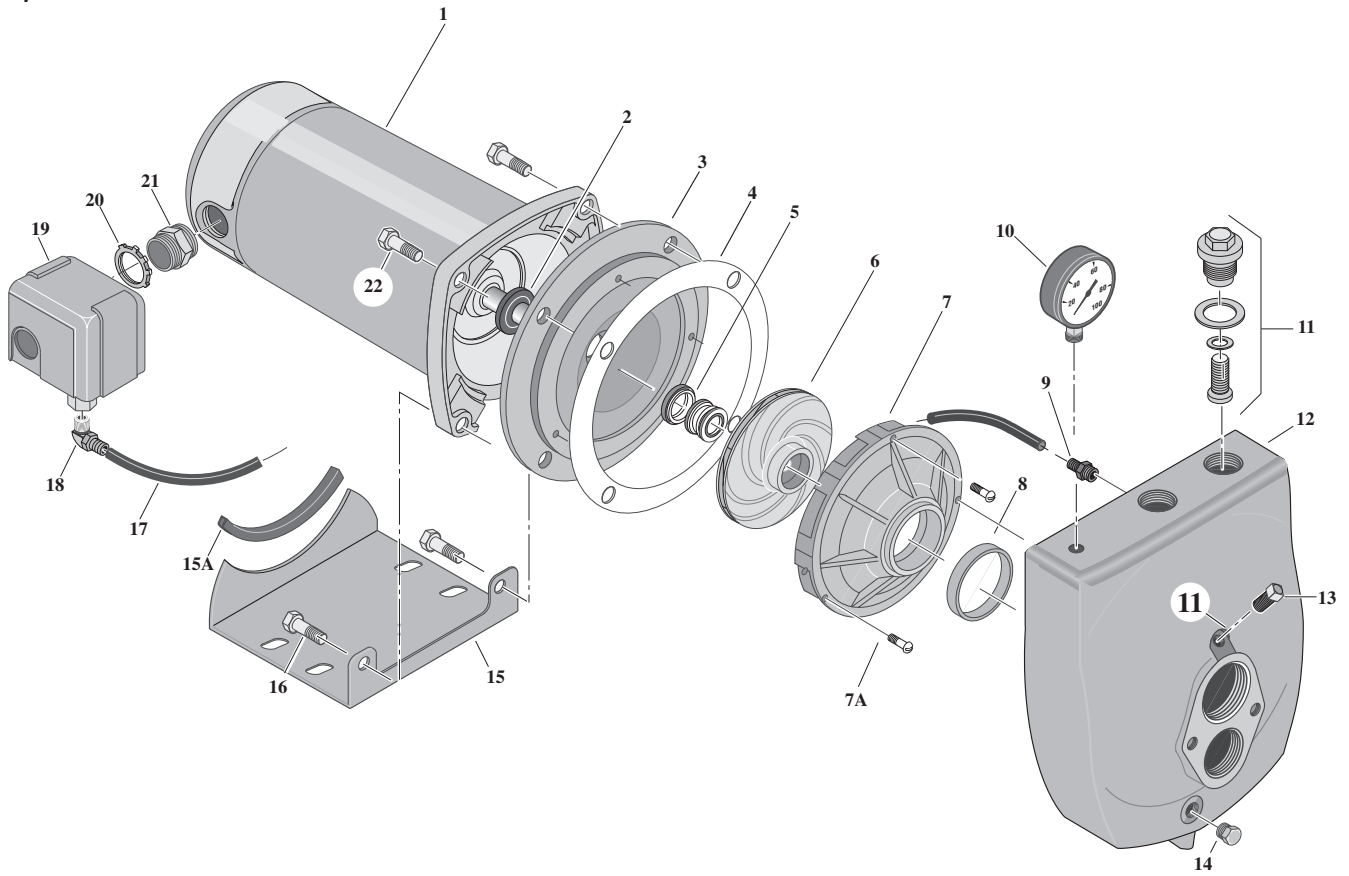
Figure 36

3. Make sure that the shaft keys are in place on the shaft. If they are not, squeeze them in place now with slip joint pliers. Do not tap them or hit them with a hammer; you could bend the shaft (see Figure 33). When the keys are correctly installed, the adapter will pass over the keys without interference.
4. Carefully slide the adapter over the shaft (see Figure 34). Do not damage the shaft sealing surface; it is highly polished and any slight scratches or nicks will ruin it.
5. Using the alignment marks made before disassembly, line up the adapter with the motor and bolt the adapter in place. Tighten the cap screws evenly.
6. Push the shaft seal and seal spring onto the shaft, after making sure that the seal faces and shaft are clean. Take care that the shaft does not damage the carbon seal face. Follow the seal spring with the spring holder; compress the spring and give the spring holder a quarter turn to lock it under the first shaft key (see Figure 35).
7. Slide the first impeller onto the shaft; follow it with the impeller spacer. Twist the impeller on the shaft to make sure that the shaft key is still in place and the impeller is locked to the shaft (the shaft should turn with the impeller).
8. Install a new volute gasket, lining up the bolt holes with the bolt holes in the adapter. Make sure the gasket is right side up so that the water passage holes line up with the water passages in the volutes.
9. Install the intermediate volute, aligning it with the mark made before disassembly. Use the long cap screws to check this alignment. It cannot be stressed too strongly that all bolt holes and water passages of all gaskets and volutes **MUST** line up with each other, or the pump will not be assembled correctly.
10. Make sure the second shaft key is in place and install the second impeller. Twist the impeller to make sure that the shaft key is still in place. Hold the motor shaft with slip-joint pliers or vice-grips and install and tighten the impeller locknut. Tightening the lock nut automatically spaces the impeller correctly. Do not over tighten.
11. Install the base volute gasket. Make sure the gasket is right side up so that the water passage holes line up with the water passages in the volutes. Install the base volute, using the alignment marks made before disassembly. Make sure that the pump discharge will correctly meet the piping when the pump is reinstalled.
12. Inset the four base capscrews and tighten evenly (see Figure 36). These should be easy to install if everything is correctly aligned. If not, do not force them; go back over your work and find and correct the misalignment.
13. Reinstall the pressure switch barb fitting and pressure tube.
14. Reinstall the pump on the adapter flange (use a new gasket) and reconnect the wiring and grounding. Pump is now ready for operation.

PAGE INTENTIONALLY LEFT BLANK

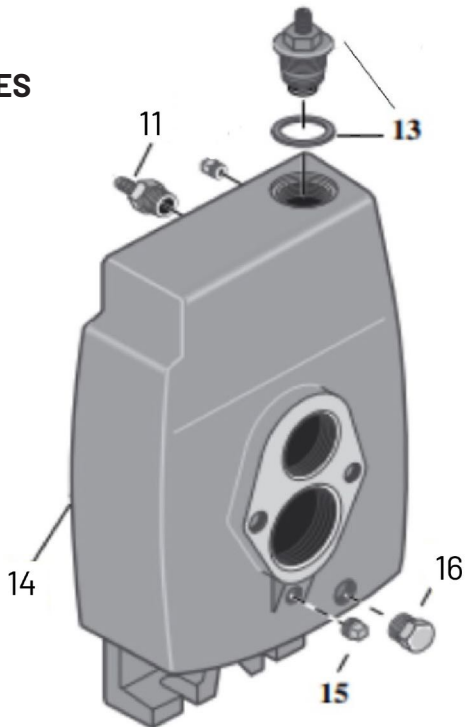
PARTS INDEX

SL, HL SERIES



1623 0497

FL SERIES



PARTS INDEX - SL, HL, FL SERIES

STA-RITE MODELS

KEY NO	PART DESCRIPTION	QTY	SLC-L	SLD-L	SLE-L	SLF-L	HLC-L
			1/2 HP	3/4 HP	1 HP	1-1/2 HP	1/2 HP
1	Motor	1	J218-1651	J218-1652	J218-1653	J218-1655	J218-1652
2	Hex Capscrews - 3/8" - 16 x 1-1/4" Lg.	2	U30-75ZP	U30-75ZP	-	-	U30-75ZP
2	Hex Capscrews - 3/8" - 16 x 1-1/2" Lg.	2	-	-	U30-76ZP	U30-76ZP	-
3	Water Slinger	1	17351-0009	17351-0009	17351-0009	17351-0009	17351-0009
4	Seal Plate	1	N3-9	N3-9	L3-10	L3-10	N3-9
5	Seal Plate Gasket	1	N20-35N	N20-35N	C20-21N	C20-21N	N20-35N
6	Shaft Seal	1	U109-6B	U109-6B	U109-6B	U109-6B	U109-6B
7	Impeller	1	J105-40P	J105-86P	J105-85P	J105-22PA	J105-86P
8	Diffuser	1	L1-25P	L1-25P	L1-47P	L1-23P	L1-25P
9	Diffuser Screws	3	-	-	U30-489SS	U30-489SS	-
10	Diffuser Gasket	1	L21-1	L21-1	L21-1	L21-1	L21-1
11	Quick Connect - 1/4" NPT	1	U11-217P	U11-217P	U11-217P	U11-217P	U11-217P
11	Barbed Fitting - Straight - 1/4" NPT	1	-	-	-	-	-
12	Pressure Gauge	1	-	-	-	-	PKG U239-2
13	Control Valve Assembly	1	01322	01322	L262-5P	L262-5P	1322
14	Pump Body	1	L76-48	L76-48	L76-49	L76-49	L76-48
15	Pipe Plug - 1/8" Sq. Hd.	1	U78-56ZPS	U78-56ZPS	U78-56ZPS	U78-56ZPS	U78-56ZPS
16	Pipe Plug - 1/4" Hex Hd.	()	U78-941ZPV (2)	U78-941ZPV (2)	U78-941ZPV (2)	U78-941ZPV (2)	U78-941ZPV (1)
17	Base	1	J104-9F	J104-9F	J4-9C	J4-9C	J104-9F
18	Hex Capscrews - 3/8" - 16 x 1-1/4" Lg.	2	U30-75ZP	U30-75ZP	U30-75ZP	U30-75ZP	U30-75ZP
19	Rubber Pad	1	C35-5S	C35-5S	C35-5S	C35-5S	C35-5S
20	Tube 1/4" I.D.	1	U37-676P	U37-676P	U37-672P	U37-677P	U37-676P
21	Quick Connect Elbow - 1/4" NPT	1	U11-218P	U11-218P	U11-218P	U11-218P	U11-218P
17	Barbed Elbow - 90° - 1/4" NPT	1	-	-	-	-	-
22	Pressure Switch	1	U217-1225	U217-1225	U217-1225	U217-1225	U217-1217
23	Locknut - 1/2"	1	U36-112ZP	U36-112ZP	U36-112ZP	U36-112ZP	U36-112ZP
24	Connector	1	L43-5C	L43-5C	L43-5C	L43-5C	L43-5C
Seal Kit			PP1551	PP1551	PP1551	PP1551	PP1551
(Includes 3, 5, 6, and 10)							
Overhaul Kit			PP1560	PP1566	PP1566	PP1564	PP1566
(Includes 3, 5, 6, 7, 8, and 10)							

PARTS INDEX - SL, HL, FL SERIES

STA-RITE MODELS

KEY NO	PART DESCRIPTION	QTY	HLD-L	HLE-L	FLC-L	FSLCH-L	FLD-L	FSLDH-L
			3/4 HP	1 HP	1/2 HP	1/2 HP	3/4 HP	3/4 HP
1	Motor	1	J218-1653	J218-1655	J218-1651-115	J218-1651	J218-1652	J218-1652
2	Hex Capscrews - 3/8" - 16 x 1-1/4" Lg.	2	-	-	U30-75ZP	U30-75ZP	U30-75ZP	U30-75ZP
2	Hex Capscrews - 3/8" - 16 x 1-1/2" Lg.	2	U30-76ZP	U30-76ZP	-	-	-	-
3	Water Slinger	1	17351-0009	17351-0009	17351-0009	17351-0009	17351-0009	17351-0009
4	Seal Plate	1	L3-10	L3-10	N3-9	N3-9	N3-9	N3-9
5	Seal Plate Gasket	1	C20-21N	C20-21N	N20-35N	N20-35N	N20-35N	N20-35N
6	Shaft Seal	1	U109-6B	U109-6B	U109-6B	U109-6B	U109-6B	U109-6B
7	Impeller	1	J105-85P	J105-22PA	J105-40P	J105-40P	J105-86P	J105-42P
8	Diffuser	1	L1-47P	L1-23P	L1-25P	L1-25P	L1-25P	L1-25P
9	Diffuser Screws	3	U30-489SS	U30-489SS	-	-	-	-
10	Diffuser Gasket	1	L21-1	L21-1	L21-1	L21-1	L21-1	N20-34
11	Quick Connect - 1/4" NPT	1	U11-217P	U11-217P	-	-	-	-
11	Barbed Fitting - Straight - 1/4" NPT	1	-	-	U111-211T	U111-211T	U111-211T	U111-211T
12	Pressure Gauge	1	PKG U239-2	PKG U239-2	-	-	-	-
13	Control Valve Assembly	1	L262-5P	L262-5P	01322	01322	01322	
14	Pump Body	1	L76-49	L76-49	L76-44	L76-44	L76-44	N176-38F
15	Pipe Plug - 1/8" Sq. Hd.	1	U78-56ZPS	U78-56ZPS	U78-56ZPS	U78-56ZPS	U78-56ZPS	
16	Pipe Plug - 1/4" Hex Hd.	()	U78-941ZPV (1)	U78-941ZPV (1)	U78-941ZPV (1)	U78-941ZPV (1)	U78-941ZPV (1)	U78-941ZPV (4)
17	Base	1	J4-9C	J4-9C	-	-	-	-
18	Hex Capscrews - 3/8" - 16 x 1-1/4" Lg.	2	U30-75ZP	U30-75ZP	U30-75ZP	U30-75ZP	U30-75ZP	-
19	Rubber Pad	1	C35-5S	C35-5S	-	-	-	-
20	Tube 1/4" I.D.	1	U37-672P	U37-677P	U37-672P	U37-676P	U37-672P	U37-676P
21	Quick Connect Elbow - 1/4" NPT	1	U11-218P	U11-218P	-	-	-	-
17	Barbed Elbow - 90° - 1/4" NPT	1	-	-	U111-212T	-	U111-212T	-
22	Pressure Switch	1	U217-1217	U217-1217	U217-1217	U217-1202	U217-1217	U217-1202
23	Locknut - 1/2"	1	U36-112ZP	U36-112ZP	U36-112ZP	U36-112ZP	U36-112ZP	U36-112ZP
24	Connector	1	L43-5C	L43-5C	L43-5C	L43-5C	L43-5C	L43-5C
Seal Kit			PP1551	PP1551	PP1550	PP1550	PP1550	PP1550
(Includes 3, 5, 6, and 10)								
Overhaul Kit			PP1566	PP1564	PP1560	PP1560	PP1566	PP1566
(Includes 3, 5, 6, 7, 8, and 10)								

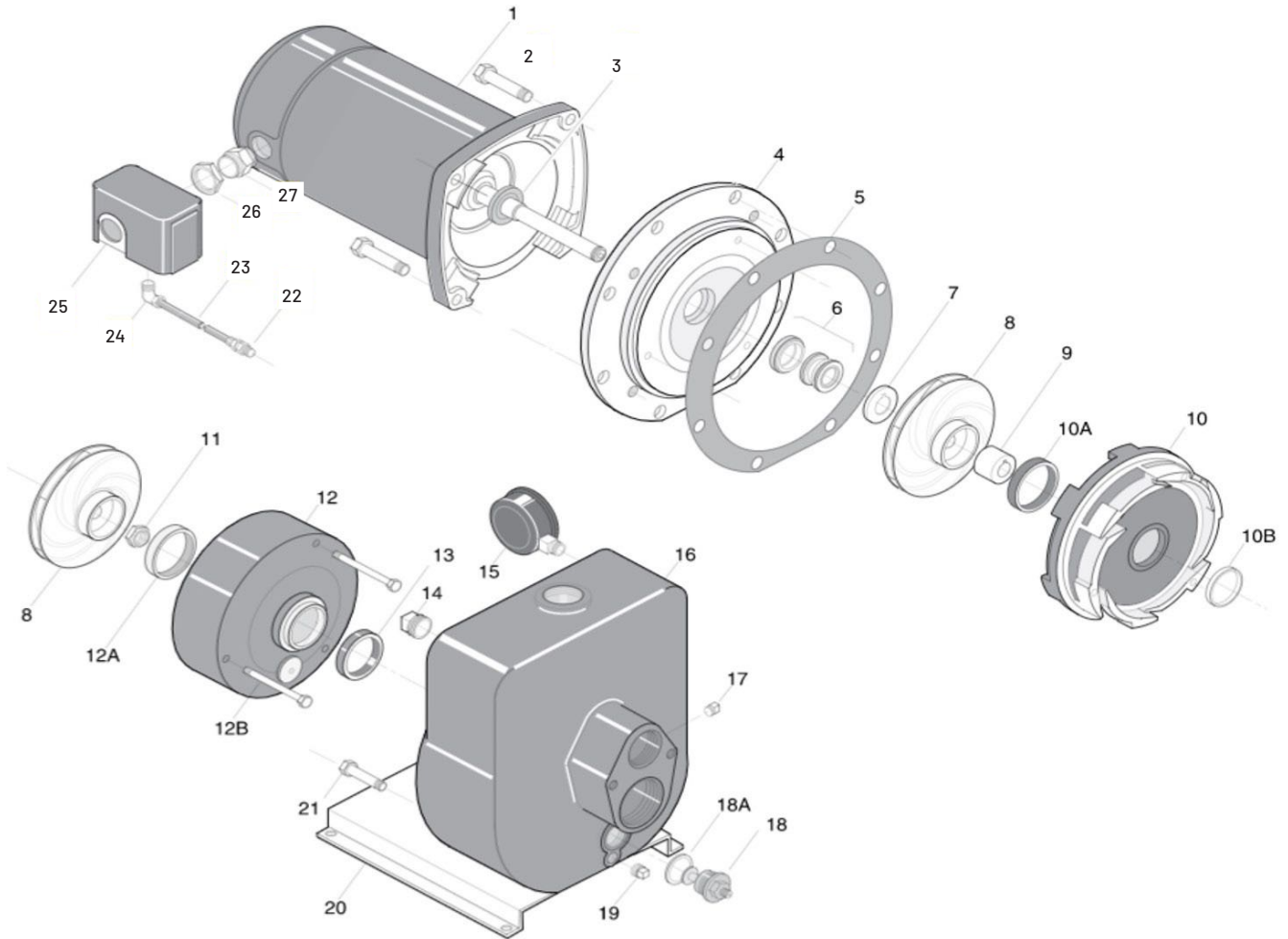
PARTS INDEX - SL, HL, FL SERIES

BERKELEY MODELS

KEY NO	PART DESCRIPTION	QTY	5SL	7SL	10SL	15SL	5HL	7HL	10HL
			1/2 HP	3/4 HP	1 HP	1-1/2 HP	1/2 HP	3/4 HP	1 HP
1	Motor	1	J218-1651	J218-1652	J218-1653	J218-1655	J218-1652	J218-1653	J218-1655
2	Hex Capscrews - 3/8" - 16 x 1-1/4" Lg.	2	U30-75ZP	U30-75ZP	-	-	U30-75ZP	-	-
2	Hex Capscrews - 3/8" - 16 x 1-1/2" Lg.	2	-	-	U30-76ZP	U30-76ZP	-	U30-76ZP	U30-76ZP
3	Water Slinger	1	17351-0009	17351-0009	17351-0009	17351-0009	17351-0009	17351-0009	17351-0009
4	Seal Plate	1	N3-9	N3-9	L3-10	L3-10	N3-9	L3-10	L3-10
5	Seal Plate Gasket	1	N20-35N	N20-35N	C20-21N	C20-21N	N20-35N	C20-21N	C20-21N
6	Shaft Seal	1	U109-6B	U109-6B	U109-6B	U109-6B	U109-6B	U109-6B	U109-6B
7	Impeller	1	J105-40P	J105-86P	J105-85P	J105-22PA	J105-86P	J105-85P	J105-22PA
8	Diffuser	1	L1-25P	L1-25P	L1-47P	L1-23P	L1-25P	L1-47P	L1-23P
9	Diffuser Screws	3	-	-	U30-489SS	U30-489SS	-	U30-489SS	U30-489SS
10	Diffuser Gasket	1	L21-1	L21-1	L21-1	L21-1	L21-1	L21-1	L21-1
11	Quick Connect - 1/4" NPT	1	U11-217P	U11-217P	U11-217P	U11-217P	U11-217P	U11-217P	U11-217P
11	Barbed Fitting - Straight - 1/4" NPT	1	-	-	-	-	-	-	-
12	Pressure Gauge	1	-	-	-	-	PKG U239-2	PKG U239-2	PKG U239-2
13	Control Valve Assembly	1	01322	01322	L262-5P	L262-5P	1322	L262-5P	L262-5P
14	Pump Body	1	L76-48A	L76-48A	L76-49A	L76-49A	L76-48A	L76-49A	L76-49A
15	Pipe Plug - 1/8" Sq. Hd.	1	U78-56ZPS	U78-56ZPS	U78-56ZPS	U78-56ZPS	U78-56ZPS	U78-56ZPS	U78-56ZPS
16	Pipe Plug - 1/4" Hex Hd.	()	U78-941ZPV (2)	U78-941ZPV (2)	U78-941ZPV (2)	U78-941ZPV (2)	U78-941ZPV (1)	U78-941ZPV (1)	U78-941ZPV (1)
17	Base	1	J104-9F	J104-9F	J4-9C	J4-9C	J104-9F	J4-9C	J4-9C
18	Hex Capscrews - 3/8" - 16 x 1-1/4" Lg.	2	U30-75ZP	U30-75ZP	U30-75ZP	U30-75ZP	U30-75ZP	U30-75ZP	U30-75ZP
19	Rubber Pad	1	C35-5S	C35-5S	C35-5S	C35-5S	C35-5S	C35-5S	C35-5S
20	Tube 1/4" I.D.	1	U37-676P	U37-676P	U37-672P	U37-677P	U37-672P	U37-672P	U37-677P
21	Quick Connect Elbow - 1/4" NPT	1	U11-218P	U11-218P	U11-218P	U11-218P	U11-218P	U11-218P	U11-218P
17	Barbed Elbow - 90° - 1/4" NPT	1	-	-	-	-	-	-	-
22	Pressure Switch	1	U217-1225	U217-1225	U217-1225	U217-1225	U217-1217	U217-1217	U217-1217
23	Locknut - 1/2"	1	U36-112ZP	U36-112ZP	U36-112ZP	U36-112ZP	U36-112ZP	U36-112ZP	U36-112ZP
24	Connector	1	L43-5C	L43-5C	L43-5C	L43-5C	L43-5C	L43-5C	L43-5C
Seal Kit (Includes 3, 5, 6, and 10)			PP1551	PP1551	PP1551	PP1551	PP1551	PP1551	PP1551
Overhaul Kit (Includes 3, 5, 6, 7, 8, and 10)			PP1560	PP1566	PP1566	PP1564	PP1566	PP1566	PP1564

PARTS INDEX

HMS/LT2 SERIES



PARTS INDEX - HMS, LT2 SERIES

STA-RITE MODELS

KEY NO	PART DESCRIPTION	QTY	HMSD-1FL	HMSE-1FL	HMSF-1FL
			3/4 HP	1 HP	1-1/2 HP
1	Motor	1	A700DH	A700EH	A700FH
2	Hex Capscrews - 3/8" - 16 x 1" Lg.	4	U30-74ZP	U30-74ZP	U30-74ZP
3	Water Slinger	1	17351-0009	17351-0009	17351-0009
4	Seal Plate	1	L3-26	L3-26	L3-26
5	Seal Plate Gasket	1	L20-43N	C20-21N	C20-21N
6	Shaft Seal	1	U109-267	U109-267	U109-267
7	Spring Holder Washer	1	J24-11	J24-11	J24-11
8	Impeller	2	L105-2PC	L105-2PB	L105-2P
9	Impeller Spacer	1	J43-23	J43-23	J43-23
10	Diffuser Assembly with Wear Rings	1	L101-45	L101-45	L101-45
10A	Wear Ring	1	L23-9	L23-9	L23-9
10B	Wear Ring	1	P23-19	P23-19	P23-19
11	Stop Nut - Shaft	1	U36-175SSW	U36-175SSW	U36-175SSW
12	Diffuser Cover with Wear Ring and Screws	1	L103-27	L103-27	L103-27
12A	Wear Ring	1	L23-9	L23-9	L23-9
12B	Diffuser Screws - 1/4" - 20 x 3" Lg.	3	U30-528SS	U30-528SS	U30-528SS
13	Diffuser O-Ring	1	L21-1	L21-1	L21-1
14	Pipe Plug - 1/2" NPT	1	S23717	S23717	S23717
15	Pressure Gauge	1	U239-8	U239-8	U239-8
16	Pump Body	1	L76-36	L76-36	L76-36
17	Pipe Plug - 1/8" NPT	1	U78-56ZPS	U78-56ZPS	U78-56ZPS
18	Control Valve Assembly	1	01322	01322	01322
18A	Control Valve Gasket	1	L20-39	L20-39	L20-39
19	Pipe Plug - 1/4" Hex Hd.	1	U78-941ZPV	U78-941ZPV	U78-941ZPV
20	Base	1	U4-5	U4-5	U4-5
*	Lock washer - 3/8"	4	U43-12ZP	U43-12ZP	U43-12ZP
*	Hex Capscrews - 3/8" - 16 x 3/4" Lg.	2	U30-72ZP	U30-72ZP	U30-72ZP
21	Hex Capscrews - 3/8" - 16 x 7/8" Lg.	8	U30-73ZP	U30-73ZP	U30-73ZP
22	Compression Fitting - 1/8" NPT	1	U111-100T	U111-100T	U111-100T
23	Tube 1/4" I.D.	1	U37-677P	U37-677P	U37-677P
24	Barbed Elbow - 90° - 1/4" NPT	1	U111-212T	U111-212T	U111-212T
25	Pressure Switch	1	U217-1217	U217-1217	U217-1217
26	Locknut - 1/2"	1	U36-112ZP	U36-112ZP	U36-112ZP
27	Connector	1	L43-5C	L43-5C	L43-5C
Seal Kit			PP1625	PP1625	PP1625
(Includes 3, 5, 6, 7, and 13)					
Overhaul Kit			-	PP1632	PP1633
(Includes 3, 5, 6, 7, 8, 10A, 10B, 11, 12A and 13)					

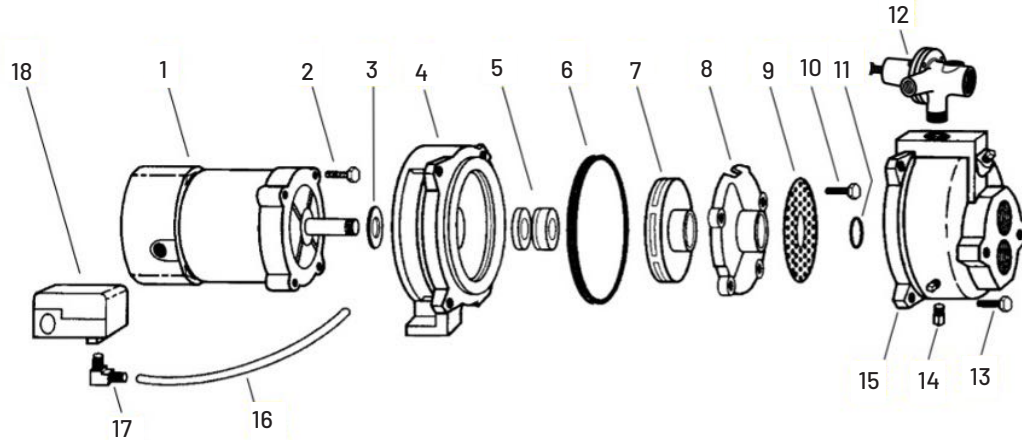
PARTS INDEX - HMS, LT2 SERIES

BERKELEY MODELS

KEY NO	PART DESCRIPTION	QTY	7LT2	10LT2	15LT2
			3/4 HP	1 HP	1-1/2 HP
1	Motor	1	A700DH	A700EH	A700FH
2	Hex Capscrews - 3/8" - 16 x 1" Lg.	4	U30-74ZP	U30-74ZP	U30-74ZP
3	Water Slinger	1	17351-0009	17351-0009	17351-0009
4	Seal Plate	1	L3-26	L3-26	L3-26
5	Seal Plate Gasket	1	L20-43N	C20-21N	C20-21N
6	Shaft Seal	1	U109-267	U109-267	U109-267
7	Spring Holder Washer	1	J24-11	J24-11	J24-11
8	Impeller	2	L105-2PC	L105-2PB	L105-2P
9	Impeller Spacer	1	J43-23	J43-23	J43-23
10	Diffuser Assembly with Wear Rings	1	L101-45	L101-45	L101-45
10A	Wear Ring	1	L23-9	L23-9	L23-9
10B	Wear Ring	1	P23-19	P23-19	P23-19
11	Stop Nut - Shaft	1	U36-175SSW	U36-175SSW	U36-175SSW
12	Diffuser Cover with Wear Ring and Screws	1	L103-27	L103-27	L103-27
12A	Wear Ring	1	L23-9	L23-9	L23-9
12B	Diffuser Screws - 1/4" - 20 x 3" Lg.	3	U30-528SS	U30-528SS	U30-528SS
13	Diffuser O-Ring	1	L21-1	L21-1	L21-1
14	Pipe Plug - 1/2" NPT	1	S23717	S23717	S23717
15	Pressure Gauge	1	U239-8	U239-8	U239-8
16	Pump Body	1	L76-36	L76-36	L76-36
17	Pipe Plug - 1/8" NPT	1	U78-56ZPS	U78-56ZPS	U78-56ZPS
18	Control Valve Assembly	1	01322	01322	01322
18A	Control Valve Gasket	1	L20-39	L20-39	L20-39
19	Pipe Plug - 1/4" Hex Hd.	1	U78-941ZPV	U78-941ZPV	U78-941ZPV
20	Base	1	U4-5	U4-5	U4-5
*	Lock washer - 3/8"	4	U43-12ZP	U43-12ZP	U43-12ZP
*	Hex Capscrews - 3/8" - 16 x 3/4" Lg.	2	U30-72ZP	U30-72ZP	U30-72ZP
21	Hex Capscrews - 3/8" - 16 x 7/8" Lg.	8	U30-73ZP	U30-73ZP	U30-73ZP
22	Compression Fitting - 1/8" NPT	1	U111-100T	U111-100T	U111-100T
23	Tube 1/4" I.D.	1	U37-677P	U37-677P	U37-677P
24	Barbed Elbow - 90° - 1/4" NPT	1	U111-212T	U111-212T	U111-212T
25	Pressure Switch	1	U217-1217	U217-1217	U217-1219
26	Locknut - 1/2"	1	U36-112ZP	U36-112ZP	U36-112ZP
27	Connector	1	L43-5C	L43-5C	L43-5C
Seal Kit			PP1625	PP1625	PP1625
(Includes 3, 5, 6, 7, and 13)					
Overhaul Kit			-	PP1632	PP1633
(Includes 3, 5, 6, 7, 8, 10A, 10B, 11, 12A and 13)					

PARTS INDEX

HR, HJ SERIES



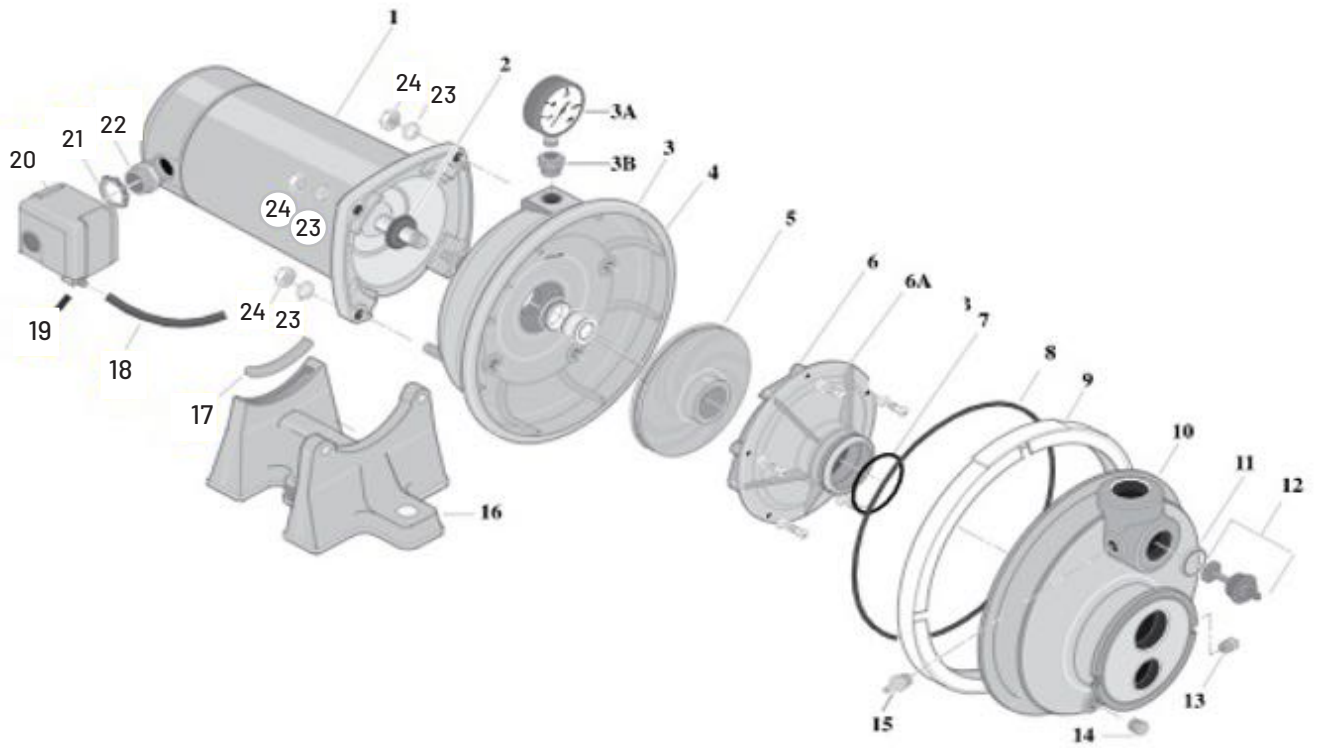
STA-RITE MODELS

KEY NO	PART DESCRIPTION	QTY	HR50D	HJ50D	HJ75D	HJ100D
			1/2 HP	1/2 HP	3/4 HP	1HP
1	Motor	1	J218-1652-115	20924A000K	20934A000K	20935A000K
2	Hex Screw - 3/8" - 16 x 7/8" Lg.	4	-	U30-73ZP	U30-73ZP	U30-73ZP
2	Hex Screw - 3/8" - 16 x 1-1/2" Lg.	4	U30-76SS	-	-	-
3	Water Slinger	1	17351-0009	-	-	-
4	Bracket	1	-	20936D101W	20937D101W	20937D101W
*	Seal Plate	1	24452C100W	-	-	-
5	Shaft Seal	1	14525A000K	14525A000K	14525A000K	14525A000K
6	Seal Plate Gasket	1	05014A157	05014A157	05014A158	05014A158
7	Impeller - Plastic	1	16622B015	16622B010	19195B004	19196B004
7	Impeller - Brass		-	17682B003K	19195B000K	19195B000K
8	Diffuser	1	12371B000	12371B000	14379B000	14380B000
9	Screen	1	13069B000	13069B000	-	-
10	Diffuser Screws	3	U30-53SS	U30-53SS	U30-53SS	19099A023
11	Diffuser O-Ring	1	05876A003	05876A003	05876A087	05876A087
12	Regulator	1	15285A033	15285A014	15285A023	15285A023
13	Hex Screw - 3/8" - 16 x 1-1/4" Lg.	5	-	U30-75ZP	-	-
13	Hex Screw - 3/8" - 16 x 1-1/2" Lg.	4	-	-	19102A012	19102A012
14	Pipe Plug - 1/4" Hex Hd.	3	U78-941ZPV	U78-941ZPV	U78-941ZPV	U78-941ZPV
15	Pump Body	1	24358D110W	18623D101W	19198D100W	19198D100W
*	Base	1	25383B002	-	-	-
16	Tube 1/4" I.D.	1	U37-671P	U37-671P	U37-671P	U37-671P
17	Barbed Elbow - 90° - 1/4" NPT	2	U111-212T	U111-212T	U111-212T	U111-212T
18	Pressure Switch	1	U217-1218	U217-1218	U217-1218	U217-1218
*	Locknut - 1/2"	1	U36-112ZP	U36-112ZP	U36-112ZP	U36-112ZP
*	Connector	1	L43-5C	L43-5C	L43-5C	L43-5C
Overhaul Kit						
(Includes 4, 5, 6, 7, and 8)			PK50	PK50	PK75	PK100

* Not pictured

PARTS INDEX

PL SERIES



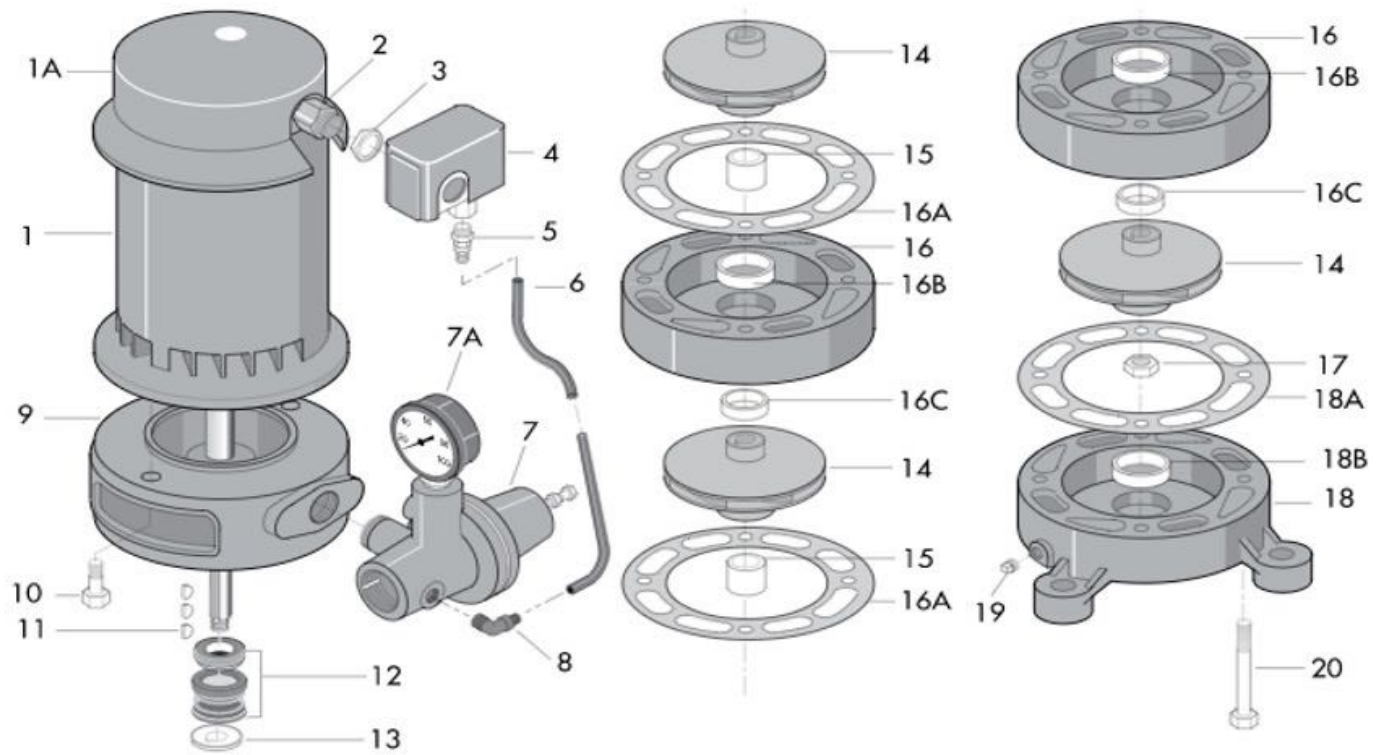
PARTS INDEX - PL SERIES

PL SERIES

KEY NO	PART DESCRIPTION	QTY	PLC-2L	PLD-2L	PLE-2L	PLF-2L
			1/2 HP	3/4 HP	1 HP	1-1/2 HP
1	Motor	1	J218-1651	J218-1652	J218-1653	J218-1655
2	Water Slinger	1	17351-0009	17351-0009	17351-0009	17351-0009
3	Seal Plate	1	L176-47P	L176-47P	L176-47P	L176-47P
3A	Pressure Gauge	1	U239-3	U239-3	U239-3	U239-3
3B	Reducer, 1/2" x 1/8" NPT	1	U78-107PT	U78-107PT	U78-107PT	U78-107PT
4	Shaft Seal	1	U109-6B	U109-6B	U109-6B	U109-6B
5	Impeller	1	J105-40PE	J105-42PT	J105-8PAN	J105-22PA
6	Diffuser	1	J1-39P	J1-39P	J1-40P	J1-40PA
6A	Diffuser Screws	5	U39-996SS	U39-996SS	U39-996SS	U39-996SS
7	Diffuser O-Ring	1	U9-199	U9-199	U9-199	U9-199
8	V-Clamp O-Ring	1	U9-399	U9-399	U9-399	U9-399
9	V-Clamp Assembly	1	C19-54SS	C19-54SS	C19-54SS	C19-54SS
10	Pump Body	1	L76-37P	L76-37P	L76-37P	L76-37P
11	Gasket	1	L20-40	L20-40	L20-40	L20-40
12	Regulator	1	J198-20	J198-20	J198-20	J198-20
13	Pipe Plug - 1/8"	1	WC78-41T	WC78-41T	WC78-41T	WC78-41T
14	Pipe Plug - 1/4" Hex Hd.	1	U78-941ZPV	U78-941ZPV	U78-941ZPV	U78-941ZPV
15	Barbed Fitting - Straight - 1/4" NPT	1	U111-211T	U111-211T	U111-211T	U111-211T
16	Base	1	C4-42P	C4-42P	C4-42P	C4-42P
17	Rubber Pad	1	C35-11	C35-11	C35-11	C35-11
18	Tube 1/4" I.D.	1	U37-671P	U37-671P	U37-671P	U37-671P
19	Barbed Elbow - 90° - 1/4" NPT	1	U111-212T	U111-212T	U111-212T	U111-212T
20	Pressure Switch	1	U217-1217	U217-1217	U217-1217	U217-1217
21	Locknut - 1/2"	1	U36-112ZP	U36-112ZP	U36-112ZP	U36-112ZP
22	Connector	1	L43-5C	L43-5C	L43-5C	L43-5C
23	Hex Nut, 5/16" - 18	4	U36-37ZP	U36-37ZP	U36-37ZP	U36-37ZP
24	Washer, 5/16"	2	U43-61ZP	U43-61ZP	U43-61ZP	U43-61ZP
Seal Kit			PP1500	PP1500	PP1500	PP1500
(Includes 2, 4, 7, 8, and 11)						
Overhaul Kit			PP1511	PP1512	PP1513	PP1514
(Includes 2, 4, 5, 6, 6A, 7, 8, 9, and 11)						

PARTS INDEX

MS/MVPH SERIES



PARTS INDEX - MS, MVPH SERIES

STA-RITE MODELS

KEY NO	PART DESCRIPTION	QTY	MSD-7	MSE-7	MSF-7	MSG-7
			3/4 HP	1 HP	1-1/2 HP	2 HP
1	Motor	1	A300DH	J218-1654	A300FH	AE300GH
1a	Motor Canopy	1	-	-	-	-
2	Connector	1	J43-13C	J43-13C	J43-13C	J43-13C
3	Locknut - 1/2"	1	U36-112ZP	U36-112ZP	U36-112ZP	U36-112ZP
4	Pressure Switch	1	U217-1217	U217-1217	U217-204E	U217-204E
5	Barbed Fitting - Straight - 1/4" NPT	1	U111-211T	U111-211T	U111-211T	U111-211T
6	Tube 1/4" I.D.	1	U37-672P	U37-672P	U37-672P	U37-672P
7	Pressure Regulator Assembly	1	J212-24E	J212-24E	J212-24E	J212-24E
7A	Pressure Gauge	1	U239-3	U239-3	U239-8	U239-8
8	Barbed Elbow - 90° - 1/4" NPT	1	U111-212T	U111-212T	U111-212T	U111-212T
9	Adapter	1	L2-16A	L2-16A	L2-16A	L2-16A
10	Hex Capscrews - 3/8" - 16 x 1-1/4" Lg.	2	U30-75ZP	U30-75ZP	U30-75ZP	U30-75ZP
11	Shaft Key	()	U65-15SS(2)	U65-15SS(2)	U65-15SS(3)	U65-15SS(3)
12	Shaft Seal	1	17351-0101A	17351-0101A	17351-0101A	17351-0101A
13	Spring Holder Washer	1	J24-11	J24-11	J24-11	J24-11
14	Impeller	()	J105-75P(2)	J105-76P(2)	J105-74PA(3)	J105-74P(3)
15	Impeller Spacer	()	J43-23(1)	J43-23(1)	J43-23(2)	J43-23(2)
16	Intermediate Volute with Gasket & Wear Rings	()	J101-26(1)	J101-26(1)	J101-26(2)	J101-26(2)
16A	Intermediate Volute Gasket	()	J20-11N(1)	J20-11N(1)	J20-11N(2)	J20-11N(2)
16B	Intermediate Volute Wear Ring	1	J23-10	J23-10	J23-10	J23-10
16C	Intermediate Volute Wear Ring	1	J23-11	J23-11	J23-11	J23-11
17	Stop Nut - Shaft	1	U36-175SSW	U36-175SSW	U36-175SSW	U36-175SSW
18	Base Volute with Gasket & Wear Ring	1	J101-33	J101-33	J101-33	J101-33
18A	Base Volute Gasket	1	J20-11N	J20-11N	J20-11N	J20-11N
18B	Base Volute Wear Ring	1	J23-10	J23-10	J23-10	J23-10
19	Pipe Plug - 1/4" Hex Hd.	1	U78-941ZPV	U78-941ZPV	U78-941ZPV	U78-941ZPV
20	Hex Capscrews - 3/8" - 16 x 4-1/2" Lg.	4	U30-1030ZP	U30-1030ZP	-	-
20	Hex Capscrews - 3/8" - 16 x 6" Lg.	4	-	-	U30-81ZP	U30-81ZP
Seal Kit			PP1650	PP1650	PP1650	PP1650
(Includes 11, 12, 13, 16A, 18A)						
Impeller and Seal Kit			PP1656	PP1657	PP1658	PP1659
(Includes 11, 12, 13, 14, 16A, 16B, 18A, and 18B)						

PARTS INDEX - MS, MVPH SERIES

BERKELEY MODELS

KEY NO	PART DESCRIPTION	QTY	10MS	15MS	20MS
			1 HP	1-1/2 HP	2 HP
1	Motor	1	J218-1654	A300FH	AE300GH
1a	Motor Canopy	1	-	-	-
2	Connector	1	J43-13C	J43-13C	J43-13C
3	Locknut - 1/2"	1	U36-112ZP	U36-112ZP	U36-112ZP
4	Pressure Switch	1	U217-1217	U217-204E	U217-204E
5	Barbed Fitting - Straight - 1/4" NPT	1	U111-211T	U111-211T	U111-211T
6	Tube 1/4" I.D.	1	U37-672P	U37-672P	U37-672P
7	Pressure Regulator Assembly	1	J212-24E	J212-24E	J212-24E
7A	Pressure Gauge	1	U239-3	U239-8	U239-8
8	Barbed Elbow - 90° - 1/4" NPT	1	U111-212T	U111-212T	U111-212T
9	Adapter	1	L2-16A	L2-16A	L2-16A
10	Hex Capscrews - 3/8" - 16 x 1-1/4" Lg.	2	U30-75ZP	U30-75ZP	U30-75ZP
11	Shaft Key	()	U65-15SS(2)	U65-15SS(3)	U65-15SS(3)
12	Shaft Seal	1	17351-0101A	17351-0101A	17351-0101A
13	Spring Holder Washer	1	J24-11	J24-11	J24-11
14	Impeller	()	J105-76P(2)	J105-74PA(3)	J105-74P(3)
15	Impeller Spacer	()	J43-23(1)	J43-23(2)	J43-23(2)
16	Intermediate Volute with Gasket & Wear Rings	()	J101-26(1)	J101-26(2)	J101-26(2)
16A	Intermediate Volute Gasket	()	J20-11N(1)	J20-11N(2)	J20-11N(2)
16B	Intermediate Volute Wear Ring	1	J23-10	J23-10	J23-10
16C	Intermediate Volute Wear Ring	1	J23-11	J23-11	J23-11
17	Stop Nut - Shaft	1	U36-175SSW	U36-175SSW	U36-175SSW
18	Base Volute with Gasket & Wear Ring	1	J101-33	J101-33	J101-33
18A	Base Volute Gasket	1	J20-11N	J20-11N	J20-11N
18B	Base Volute Wear Ring	1	J23-10	J23-10	J23-10
19	Pipe Plug - 1/4" Hex Hd.	1	U78-941ZPV	U78-941ZPV	U78-941ZPV
20	Hex Capscrews - 3/8" - 16 x 4-1/2" Lg.	4	U30-1030ZP	-	-
20	Hex Capscrews - 3/8" - 16 x 6" Lg.	4	-	U30-81ZP	U30-81ZP
Seal Kit			PP1650	PP1650	PP1650
(Includes 11, 12, 13, 16A, 18A)					
Impeller and Seal Kit			PP1657	PP1658	PP1659
(Includes 11, 12, 13, 14, 16A, 16B, 18A, and 18B)					

PARTS INDEX - MS, MVPH SERIES

MYERS MODELS

KEY NO	PART DESCRIPTION	QTY	MVPH-100	MVPH-150	MVPH-200
			1HP	1-1/2 HP	2 HP
1	Motor	1	J218-1654	A300FH	AE300GH
1a	Motor Canopy	1	-	-	-
2	Connector	1	J43-13C	J43-13C	J43-13C
3	Locknut - 1/2"	1	U36-112ZP	U36-112ZP	U36-112ZP
4	Pressure Switch	1	U217-1216	U217-204E	U217-204E
5	Barbed Fitting - Straight - 1/4" NPT	1	U111-211T	U111-211T	U111-211T
6	Tube 1/4" I.D.	1	U37-672P	U37-672P	U37-672P
7	Pressure Regulator Assembly	1	J212-24E	J212-24E	J212-24E
7A	Pressure Gauge	1	U239-3	U239-8	U239-8
8	Barbed Elbow - 90° - 1/4" NPT	1	U111-212T	U111-212T	U111-212T
9	Adapter	1	L2-16A	L2-16A	L2-16A
10	Hex Capscrews - 3/8" - 16 x 1-1/4" Lg.	2	U30-75ZP	U30-75ZP	U30-75ZP
11	Shaft Key	()	U65-15SS(2)	U65-15SS(3)	U65-15SS(3)
12	Shaft Seal	1	17351-0101A	17351-0101A	17351-0101A
13	Spring Holder Washer	1	J24-11	J24-11	J24-11
14	Impeller	()	J105-76P(2)	J105-74PA(3)	J105-74P(3)
15	Impeller Spacer	()	J43-23(1)	J43-23(2)	J43-23(2)
16	Intermediate Volute with Gasket & Wear Rings	()	J101-26(1)	J101-26(2)	J101-26(2)
16A	Intermediate Volute Gasket	()	J20-11N(1)	J20-11N(2)	J20-11N(2)
16B	Intermediate Volute Wear Ring	1	J23-10	J23-10	J23-10
16C	Intermediate Volute Wear Ring	1	J23-11	J23-11	J23-11
17	Stop Nut - Shaft	1	U36-175SSW	U36-175SSW	U36-175SSW
18	Base Volute with Gasket & Wear Ring	1	J101-33	J101-33	J101-33
18A	Base Volute Gasket	1	J20-11N	J20-11N	J20-11N
18B	Base Volute Wear Ring	1	J23-10	J23-10	J23-10
19	Pipe Plug - 1/4" Hex Hd.	1	U78-941ZPV	U78-941ZPV	U78-941ZPV
20	Hex Capscrews - 3/8" - 16 x 4-1/2" Lg.	4	U30-1030ZP	-	-
20	Hex Capscrews - 3/8" - 16 x 6" Lg.	4	-	U30-81ZP	U30-81ZP
Seal Kit			PP1650	PP1650	PP1650
(Includes 11, 12, 13, 16A, 18A)					
Impeller and Seal Kit			PP1657	PP1658	PP1659
(Includes 11, 12, 13, 14, 16A, 16B, 18A, and 18B)					

TROUBLESHOOTING

SYMPTOM	POSSIBLE CAUSE(S)	CORRECTIVE ACTION
Motor will not run	<p>Disconnect switch is off</p> <p>Fuse is blown or circuit breaker tripped</p> <p>Starting switch is defective</p> <p>Wires at motor are loose, disconnected, or wired incorrectly</p> <p>Pressure switch contacts are dirty</p>	<p>Be sure switch is on.</p> <p>Replace fuse or reset circuit breaker.</p> <p>DISCONNECT POWER; Replace starting switch.</p> <p>Refer to instructions on wiring (Page 8). DISCONNECT POWER; check and tighten all wiring.</p> <p>⚠ WARNING Hazardous voltage. Capacitor voltage may be hazardous. To discharge capacitor, hold insulated handle screwdriver BY THE HANDLE and short capacitor terminals together. Do not touch metal screwdriver blade or capacitor terminals. If in doubt, consult a qualified electrician.</p> <p>DISCONNECT POWER and file contacts with emery board or nail file.</p>
Motor runs hot and overload kicks off	<p>Motor is wired incorrectly</p> <p>Voltage is too low</p> <p>Pump cycles too frequently</p>	<p>Refer to instructions on wiring.</p> <p>Check with power company. Install heavier wiring if wire size is too small (See Electrical / Wiring Chart).</p> <p>See section below on too frequent cycling.</p>
<p>Motor runs but no water is delivered*</p> <p>* (Notice: Stop pump; then check prime before looking for other causes. Unscrew priming plug and see if water is in priming hole).</p>	<p>Pump in new installation did not pick up prime through:</p> <ol style="list-style-type: none"> Improper priming Air leaks Leaking foot valve or check valve <p>Pump has lost prime through:</p> <ol style="list-style-type: none"> Air leaks Water level below suction pipe inlet <p>Foot valve or strainer is plugged</p> <p>Ejector or impeller is plugged</p> <p>Check valve or foot valve is stuck shut</p> <p>Pipes are frozen</p> <p>Foot valve and/or strainer are buried in sand or mud</p> <p>Water level is too low for shallow well setup to deliver water</p>	<p>In new installation:</p> <ol style="list-style-type: none"> Re-prime according to instructions. Check all connections on suction line, AVC, and ejector with soapy water or shaving cream. Replace foot valve or check valve. <p>In installation already in use:</p> <ol style="list-style-type: none"> Check all connections on suction line and shaft seal. Lower suction line into water and re-prime. If receding water level in well exceeds 25' (7.6M), a deep well pump is needed. <p>Clean foot valve or strainer.</p> <p>Clean ejector or impeller.</p> <p>Replace check valve or foot valve.</p> <p>Thaw pipes. Bury pipes below frost line. Heat pit or pump house.</p> <p>Raise foot valve and/or strainer above bottom of water source.</p> <p>Clean foot valve and strainer.</p> <p>A deep well jet will be needed if your well is more than 25' (7.6M) depth to water.</p>
Pump does not deliver water to full capacity	<p>Water level in well is lower than estimated</p> <p>Steel piping (if used) is corroded or limed causing excess friction</p> <p>Piping is too small in size</p>	<p>A new nozzle and venturi combination may be needed.</p> <p>Replace with plastic pipe where possible, otherwise with new steel pipe.</p> <p>Use larger piping.</p>
Pump delivers water but does not shut off or pump cycles too frequently	<p>Pressure switch is out of adjustment or contacts are welded together</p> <p>Faucets have been left open</p> <p>Venturi, nozzle or impeller is clogged</p> <p>Standard pressure tank is waterlogged and has no air cushion</p> <p>Pipes leak</p> <p>Foot valves leak</p> <p>Pressure switch is out of adjustment</p> <p>Air charge too low in pre-charged tank</p>	<p>DISCONNECT POWER; adjust or replace pressure switch.</p> <p>Close faucets.</p> <p>Clean venturi, nozzle or impeller.</p> <p>Drain tank to air volume control port. Check AVC for defects. Check all connections for air leaks.</p> <p>Check connections.</p> <p>Replace foot valve.</p> <p>Adjust or replace pressure switch.</p> <p>DISCONNECT POWER and open faucets until all pressure is relieved.</p> <p>Using tire pressure gauge, check air pressure in tank at valve stem located on the tank. If less than pressure switch cut-in setting (30-50 PSI), pump air into tank from outside source until air pressure is 2 PSI less than cut-in setting of switch. Check air valve for leaks (use soapy solution) and replace core if necessary.</p>
Air spurts from faucets	<p>Pump is picking up prime</p> <p>Leak in suction side of pump</p> <p>Well is gaseous</p> <p>Intermittent over-pumping of well. (Water drawn down below foot valve.)</p>	<p>When pump has picked up prime, it should pump solid water with no air. Suction pipe is sucking air. Check joints for leaks with soapy water.</p> <p>Consult factory about installing a sleeve in the well</p> <p>Lower foot valve if possible, otherwise restrict pump discharge</p>

BERKELEY WARRANTY

Pentair BERKELEY® warrants to the original consumer purchaser (“Purchaser” or “You”) of the products listed in the table below, that they will be free from defects in material and workmanship for the Warranty Period shown in the table below.

PRODUCT	WARRANTY PERIOD WHICHEVER OCCURS FIRST:
Water Systems Products – jet pumps, small centrifugal pumps, submersible pumps and related accessories	12 months from date of original installation, or 18 months from date of manufacture
Pentair Pro-Source® Composite Tanks	5 years from date of original installation
Pentair Pro-Source Steel Pressure Tanks	5 years from date of original installation
Pentair Pro-Source Epoxy-Lined Tanks	3 years from date of original installation
Agricultural/Commercial:	
Centrifugals – close-coupled motor drive, frame mount, SAE mount, engine drive, VMS, SSCX, SSHM	12 months from date of original installation, or 24 months from date of manufacture
Submersible Turbines, 6” diameter and larger	12 months from date of original installation, or 24 months from date of manufacture

Our warranty will not apply to any product that, in our sole judgment, has been subject to negligence, misapplication, improper installation, or improper maintenance. Examples that may result in denial of a warranty claim (this list is not all inclusive):

- ◆ Damage caused by careless handling, improper repackaging, or shipping.
- ◆ Damage due to misapplication, misuse, abuse, or failure to operate equipment as specified in the owner’s manual.
- ◆ Damage caused by failure to install products as specified in the owner’s manual.
- ◆ Damage due to unauthorized product modifications or failure to use Pentair original replacement parts.
- ◆ Damage caused by negligence, or failure to properly maintain products as specified in the owner’s manual.
- ◆ Damage caused by water freezing inside the product.
- ◆ Accidental damage, fire, acts of God, or other circumstances outside the control of Pentair.

Without limiting the foregoing, operating a three phase motor with single phase power through a phase converter will void the warranty. Note also that three phase motors must be protected by three-leg, ambient compensated, extra-quick trip overload relays of the recommended size or the warranty is void.

All impeller diameters specified in the BEC2 pump sizing program have been tested and determined to not exceed the service factor of the specified motor. Oversized impeller diameters can be requested, however, use of an oversized impeller will void any warranty claims.

Your only remedy, and BERKELEY’s only duty under this warranty, is that BERKELEY repair or replace defective products (at BERKELEY’s choice). THE REMEDIES DESCRIBED HERE ARE YOUR SOLE AND EXCLUSIVE REMEDIES AND OUR ENTIRE LIABILITY FOR ANY BREACH OF THIS WARRANTY.

You must pay all labor and shipping charges associated with the warranty and must request warranty service through the installing dealer as soon as a problem is discovered. No request for service will be accepted if received after the Warranty Period has expired. This warranty is not transferable.

BERKELEY’S LIABILITY SHALL UNDER NO CIRCUMSTANCES EXCEED THE ACTUAL AMOUNT PAID BY YOU FOR THE PRODUCT AT ISSUE. BERKELEY SHALL NOT, UNDER ANY CIRCUMSTANCES, BE LIABLE FOR ANY CONSEQUENTIAL, INCIDENTAL, SPECIAL, PUNITIVE, OR CONTINGENT DAMAGES OR LOSSES WHATSOEVER, WHETHER DIRECT OR INDIRECT. THE FOREGOING WARRANTY IS EXCLUSIVE. EXCEPT FOR THE WARRANTY SET FORTH HEREIN, BERKELEY MAKES NO WARRANTY WHATSOEVER WITH RESPECT TO THE PRODUCTS, INCLUDING, BUT NOT TO ANY WARRANTIES OF MERCHANTABILITY OR WARRANTY OF FITNESS FOR A PARTICULAR PURPOSE, WHETHER EXPRESS OR IMPLIED BY LAW, COURSE OF DEALING, COURSE OF PERFORMANCE, USAGE OF TRADE OR OTHERWISE.

THE FOREGOING WARRANTIES SHALL NOT EXTEND BEYOND THE DURATION PROVIDED HEREIN. Some states do not allow the exclusion or limitation of incidental or consequential damages or limitations on the duration of an implied warranty, so the above limitations or exclusions may not apply to You. This warranty gives You specific legal rights and You may also have other rights which vary from state to state.

This Warranty is effective July 14, 2020 and replaces all undated warranties and warranties dated before July 14, 2020.

MYERS WARRANTY

LIMITED WARRANTY

Myers® warrants to the original consumer purchaser (“Purchaser” or “You”) of the products listed below, that they will be free from defects in material and workmanship for the Warranty Period shown below.

PRODUCT	WARRANTY PERIOD WHICHEVER OCCURS FIRST:
Jet pumps, small centrifugal pumps, submersible pumps and related accessories	12 months from date of original installation, or 18 months from date of manufacture.
Fibrewound Tanks	5 years from date of original installation
Steel Pressure Tanks	5 years from date of original installation
Sump/Sewage/Effluent/Utility/Battery Backup Products	36 months from date of manufacture
Wastewater Solids Handling Pumps	12 months from date of shipment from factory or 18 months from date of manufacture

NOZZLE CLEAN OUT (LOW PRESSURE)

Our warranty applies only where such products are used in compliance with the requirements of the applicable product catalog and/or manuals. For additional information, please refer to the applicable standard limited warranty featured in the product manual.

Our warranty will not apply to any product that, in our sole judgment, has been subject to negligence, misapplication, improper installation, or improper maintenance. Without limiting the foregoing, operating a three phase motor with single phase power through a phase converter will void the warranty. Note also that three phase motors must be protected by three-leg, ambient compensated, extra-quick trip overload relays of the recommended size or the warranty is void.

Your only remedy, and MYERS’s only duty, is that MYERS repair or replace defective products (at MYERS’s choice). You must pay all labor and shipping charges associated with this warranty and must request warranty service through the installing dealer as soon as a problem is discovered. No request for service will be accepted if received after the Warranty Period has expired. This warranty is not transferable.

MYERS SHALL NOT BE LIABLE FOR ANY CONSEQUENTIAL, INCIDENTAL, OR CONTINGENT DAMAGES WHATSOEVER.

THE FOREGOING LIMITED WARRANTIES ARE EXCLUSIVE AND IN LIEU OF ALL OTHER EXPRESS AND IMPLIED WARRANTIES, INCLUDING BUT NOT LIMITED TO IMPLIED WARRANTIES OF MERCHANTABILITY AND FITNESS FOR A PARTICULAR PURPOSE. THE FOREGOING LIMITED WARRANTIES SHALL NOT EXTEND BEYOND THE DURATION PROVIDED HEREIN.

Some states do not allow the exclusion or limitation of incidental or consequential damages or limitations on the duration of an implied warranty, so the above limitations or exclusions may not apply to You. This warranty gives You specific legal rights and You may also have other rights which vary from state to state.

This Limited Warranty is effective January 1, 2021 and replaces all undated warranties and warranties dated before January 1, 2021.

STA-RITE WARRANTY

LIMITED WARRANTY

STA-RITE warrants to the original consumer purchaser ("Purchaser" or "You") of the products listed below, that they will be free from defects in material and workmanship for the Warranty Period shown below.

PRODUCT	WARRANTY PERIOD WHICHEVER OCCURS FIRST:
Water Systems Products – jet pumps, small centrifugal pumps, submersible pumps and related accessories	12 months from date of original installation, or 18 months from date of manufacture
Pro-Source™ Composite Tanks	5 years from date of original installation
Pro-Source Steel Pressure Tanks	5 years from date of original installation
Pro-Source Epoxy-Lined Tanks	3 years from date of original installation
Sump/Sewage/Effluent Products	12 months from date of original installation, or 18 months from date of manufacture

Our warranty will not apply to any product that, in our sole judgment, has been subject to negligence, misapplication, improper installation, or improper maintenance. Without limiting the foregoing, operating a three phase motor with single phase power through a phase converter will void the warranty. Note also that three phase motors must be protected by three-leg, ambient compensated, extra-quick trip overload relays of the recommended size or the warranty is void.

Your only remedy, and STA-RITE's only duty, is that STA-RITE repair or replace defective products (at STA-RITE's choice). You must pay all labor and shipping charges associated with this warranty and must request warranty service through the installing dealer as soon as a problem is discovered. No request for service will be accepted if received after the Warranty Period has expired. This warranty is not transferable.

STA-RITE SHALL NOT BE LIABLE FOR ANY CONSEQUENTIAL, INCIDENTAL, OR CONTINGENT DAMAGES WHATSOEVER. THE FOREGOING WARRANTIES ARE EXCLUSIVE AND IN LIEU OF ALL OTHER EXPRESS AND IMPLIED WARRANTIES, INCLUDING BUT NOT LIMITED TO THE IMPLIED WARRANTIES OF MERCHANTABILITY AND FITNESS FOR A PARTICULAR PURPOSE. THE FOREGOING WARRANTIES SHALL NOT EXTEND BEYOND THE DURATION EXPRESSLY PROVIDED HEREIN. Some states do not allow the exclusion or limitation of incidental or consequential damages or limitations on the duration of an implied warranty, so the above limitations or exclusions may not apply to You. This warranty gives You specific legal rights and You may also have other rights which vary from state to state.

This Limited Warranty is effective June 1, 2011 and replaces all undated warranties and warranties dated before June 1, 2011.



293 Wright St
Delavan, WI 53115
Ph: 888.987.8677
Fx: 800.426.9446

490 Pinebush Rd., Unit 4
Cambridge, Ontario
Canada N1T 0A5
Ph: 800.363.7867

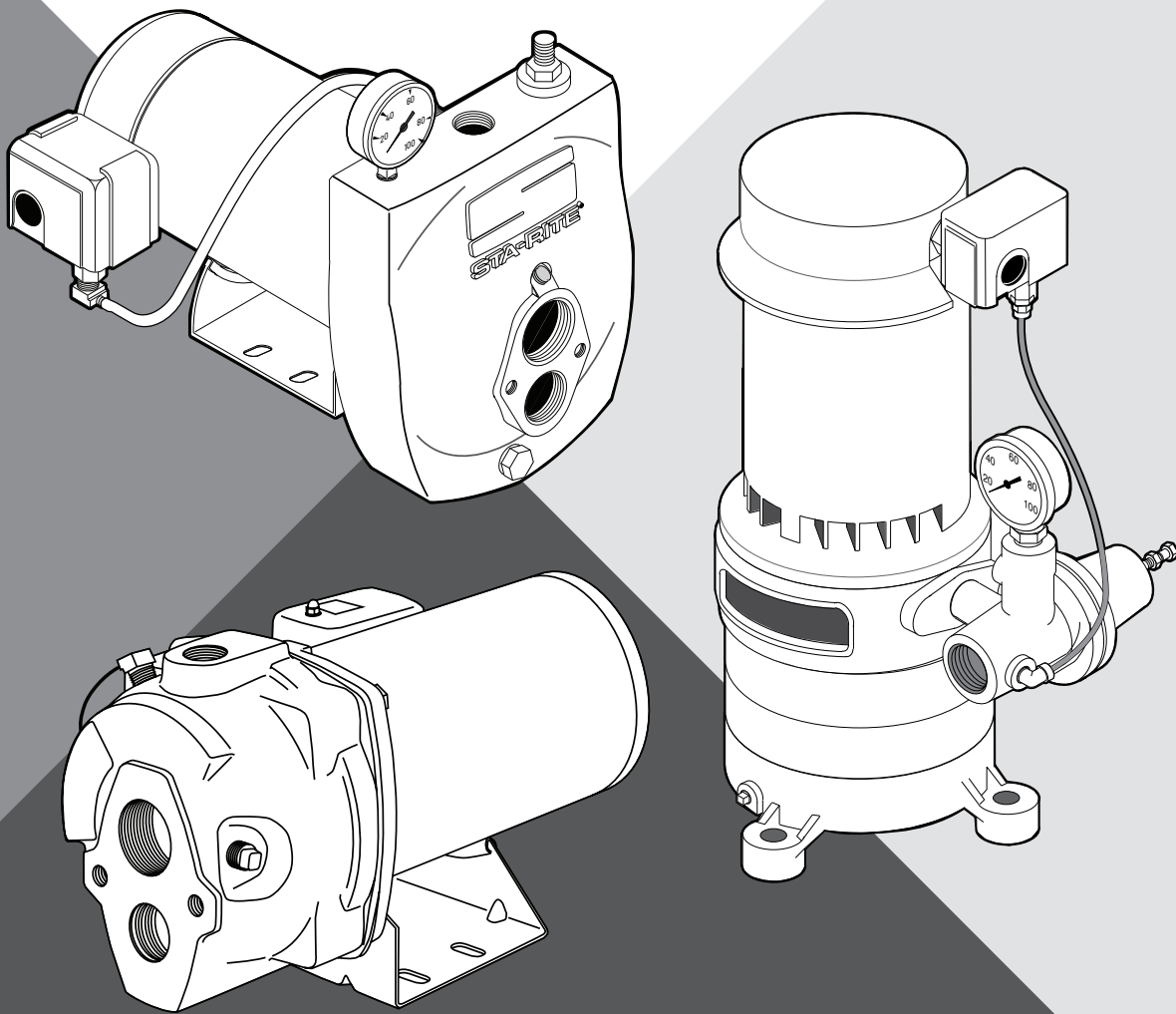
PENTAIR.COM

All indicated Pentair trademarks and logos are property of Pentair. Third party registered and unregistered trademarks and logos are the property of their respective owners. Because we are continuously improving our products and services, Pentair reserves the right to change specifications without prior notice. Pentair is an equal opportunity employer.

©2022 Pentair. All Rights Reserved.

P15004 (12-15-22)

POMPES À JET PRO CONVERTIBLES



GUIDE DE L'UTILISATEUR

pentair.com

TABLE DES MATIÈRES

CONSIGNES DE SÉCURITÉ	3
INTRODUCTION	4
INSTALLATION	5
RACCORDEMENTS DU TUYAU DE REFOULEMENT ET DU RÉSERVOIR SOUS PRESSION	6
ÉLECTRICITÉ	7
PRÉPARATION À LA MISE EN SERVICE DE LA POMPE - PUIITS PROFONDS	10
PRÉPARATION À LA MISE EN SERVICE DE LA POMPE - PUIITS PEU PROFONDS	11
FONCTIONNEMENT	12
ENTRETIEN	13
NOMENCLATURE DES PIÈCES	20
DÉPANNAGE	34
GARANTIES	35

CE MANUEL COUVRE LES MODÈLES SUIVANTS:


STA-RITE SL, HL, FL, HMS, PL, MS,


MYERS HR, HJ, MVPH


BERKELEY SL, HL, LT2, MS


INFORMATION RELATIVE À LA SÉCURITÉ

SYMBOLES DE SÉCURITÉ

 Ceci est le symbole d'alerte de sécurité. Si vous voyez ce symbole sur votre pompe ou dans ce guide, cherchez l'un des mots d'avertissement ci-dessous et soyez attentif aux risques de blessures corporelles.

 **DANGER** signale un danger qui provoquera des blessures graves, la mort ou des dommages matériels importants, s'il est ignoré.

 **AVERTISSEMENT** signale un danger qui peut provoquer des blessures corporelles graves, la mort ou des dommages matériels importants, s'il est ignoré.


 **ATTENTION** signale un danger qui provoquera ou peut provoquer des blessures corporelles légères ou des dommages matériels, s'il est ignoré.

Le terme **REMARQUE** indique des consignes spéciales importantes, mais non liées aux dangers.

Prenez soin de lire et de respecter toutes les consignes de sécurité qui figurent dans ce manuel et sur la pompe.

Conservez les étiquettes de sécurité en bon état. Remplacez-les si elles sont manquantes ou endommagées.

AVERTISSEMENT CONCERNANT LA PROPOSITION 65 DE LA CALIFORNIE

 **AVERTISSEMENT** Ce produit et les accessoires connexes contiennent des produits chimiques considérés par l'État de la Californie comme pouvant causer le cancer, des anomalies congénitales ou d'autres problèmes liés au système reproducteur.

 **MISE EN GR ADE**



Tension dangereuse. Peut causer un choc électrique, des brûlures ou la mort.
Assurez-vous de mettre la pompe à la terre avant de la brancher à l'alimentation électrique. Coupez l'alimentation avant de travailler sur la pompe, le moteur ou le réservoir.


- ◆ Câblez le moteur à la bonne tension. Consultez la section « Électricité » de ce manuel et la plaque signalétique du moteur.
- ◆ Assurez-vous de mettre le moteur à la terre avant de le brancher à l'alimentation électrique.
- ◆ Installez l'équipement en respectant les directives du Code national de l'électricité, du Code canadien de l'électricité et des codes locaux pour tout le câblage.
- ◆ Suivez les instructions de câblage de ce manuel pour raccorder le moteur aux lignes électriques.

SÉCURITÉ GÉNÉRALE


 **ATTENTION** **NE TOUCHEZ PAS UN MOTEUR EN MARCHÉ.**

Les moteurs modernes sont conçus pour fonctionner à une température élevée. Pour éviter les brûlures lors de l'entretien de la pompe, laissez-la refroidir pendant 20 minutes après l'arrêt avant de la manipuler.


- ◆ **NE LAISSEZ PAS** la pompe ou tout autre composant du système geler. Une telle action aura pour effet d'annuler la garantie.
- ◆ Utilisez cette pompe uniquement pour pomper de l'eau.
- ◆ Inspectez régulièrement les composants du puisard et du système.
- ◆ Portez des lunettes de sécurité en tout temps lorsque vous travaillez sur une pompe.
- ◆ Gardez la zone de travail propre, dégagée et correctement éclairée; rangez correctement tous les outils et équipements non utilisés.
- ◆ Gardez les visiteurs à une distance sécuritaire des zones de travail.

 **AVERTISSEMENT** Le corps de la pompe peut exploser si elle est utilisée comme pompe de surpression, sauf si une soupape de décharge capable de permettre le passage du plein débit de la pompe à 75 psi est installée.

SÉCURITÉ ÉLECTRIQUE

 **AVERTISSEMENT** **LA TENSION DU CONDENSATEUR PEUT ÊTRE DANGEREUSE.** Pour décharger le condensateur du moteur, tenez le tournevis à manche isolé **par le manche** et court-circuitez les bornes du condensateur. Ne touchez pas la lame métallique du tournevis ni les bornes du condensateur. En cas de doute, consultez un électricien qualifié.



 **AVERTISSEMENT** Pression dangereuse! Installez une soupape de sûreté dans le tuyau de vidange. Évacuez toute la pression du système avant de travailler sur un composant.

INTRODUCTION

LES PRINCIPAUX COMPOSANTS ET LEURS FONCTIONS

RÉSERVOIR ET RÉGULATEUR DE VOLUME D'AIR (RVA)

Le réservoir remplit deux fonctions : (1) il constitue un réservoir d'eau, dont une partie peut être extraite par le dispositif de la maison avant que la pompe démarre; (2) il assure un coussin d'air sous pression.

Lorsqu'un **réservoir à vessie préchargé** est utilisé, aucun régulateur de volume d'air n'est nécessaire. Ce réservoir contient une précharge d'air isolée.

Lorsqu'un **réservoir sans vessie** est utilisé, un régulateur de volume d'air ajoute de l'air au réservoir au besoin. Le régulateur de volume d'air est accroché du côté du réservoir et un tube de pression raccordé fait le lien entre le régulateur de volume d'air et le côté aspiration de la pompe.

PRESSOSTAT

Un pressostat est prévu pour un fonctionnement automatique. La pompe démarre lorsque la pression du système baisse à la pression d'enclenchement et s'arrête lorsque la pression du système atteint la pression de coupure.

IMPULSEUR, JET ET RÉGULATEUR DE PRESSION

La pompe est entraînée par l'arbre du moteur, ce qui provoque une augmentation de la pression. La rotation de l'impulseur crée un vide, permettant à l'eau d'être aspirée dans la pompe. Une partie de l'eau est détournée vers le jet, où elle passe à nouveau par la buse et le venturi, créant une dépression supplémentaire pour aspirer davantage d'eau et la propulser à haute pression vers le jet.

Dans une **installation de puits profond**, l'ensemble de la buse est submergé dans le puits parce que la distance verticale jusqu'au niveau de l'eau dépasse la hauteur d'aspiration de la pompe. Le réglage du régulateur permet de dévier la quantité d'eau adéquate vers le jet pour un fonctionnement plus efficace.

Le régulateur peut être utilisé pour limiter le débit d'eau dans un système de puits peu profond si la pompe convertibile a la capacité de tirer plus d'eau que ce que le puits peut produire.

Dans le cas d'une **installation de puits peu profond**, l'ensemble de la buse est fixé directement à la pompe parce que le vide soulève l'eau vers la pompe.

NIVEAU D'EAU DU PUIIS

Les systèmes d'eau de puits peu profonds sont recommandés pour les puits où la somme de : (1) la mesure verticale entre la pompe et le niveau de l'eau dans le puits, (2) le rabattement de l'eau du puits et (3) la friction du tuyau d'aspiration semble égale ou inférieure à 25 pieds.

EMPLACEMENT

L'unité peut être installée à n'importe quel endroit pratique par rapport au puits, offrant un espace suffisamment grand pour l'installation et l'entretien du puits. Un sous-sol sec, une fosse ou un local d'entretien est un excellent choix, si la loi l'autorise. Vérifiez les restrictions en vigueur dans votre région auprès des organismes compétents nationaux et locaux.

PUITS

Un nouveau puits doit être pompé au moyen d'une pompe à sable jusqu'à ce que l'eau soit limpide avant l'installation. Le sable endommagera les pièces de la pompe et le joint. Le niveau de rabattement du puits ne doit pas dépasser la profondeur nominale maximale de la pompe, sinon la capacité sera réduite et pourra entraîner une perte d'amorçage.

REMARQUE : Il pourrait être nécessaire de chlorer le puits avant d'installer une nouvelle pompe. Consultez les autorités sanitaires de votre région pour obtenir des recommandations.

TUYAU

Le tuyau en plastique est représenté sur les illustrations. Un tuyau en fer galvanisé peut être utilisé si on le souhaite.

- ♦ La tuyauterie doit être propre et exempte de tout corps étranger pour éviter le colmatage du jet.
- ♦ Si la tuyauterie est installée en décalage entre le puits et la pompe, des raccords doivent être fournis si nécessaire.
- ♦ Prévoir un robinet de vidange à un point bas de la conduite de service pour vidanger le réservoir sous pression.

Assurez-vous que tous les raccords d'aspiration sont étanches. La principale cause de problèmes dans une nouvelle installation est une fuite d'air dans un ou plusieurs joint(s) de la conduite d'aspiration.

SCELLER LES JOINTS DE TUYAUX

N'utilisez que du ruban d'étanchéité pour filetage de tuyau en PTFE ou des composés de joint à base de PTFE pour effectuer tous les raccords filetés de la pompe elle-même.

N'utilisez pas de composés pour joints de tuyaux sur les pompes en plastique : ils peuvent réagir avec le plastique des composants de la pompe. Assurez-vous que tous les joints du tuyau d'aspiration sont étanches à l'air et à l'eau. Si le tuyau d'aspiration n'est pas étanche, la pompe ne sera pas en mesure d'extraire l'eau du puits.

INSTALLATION

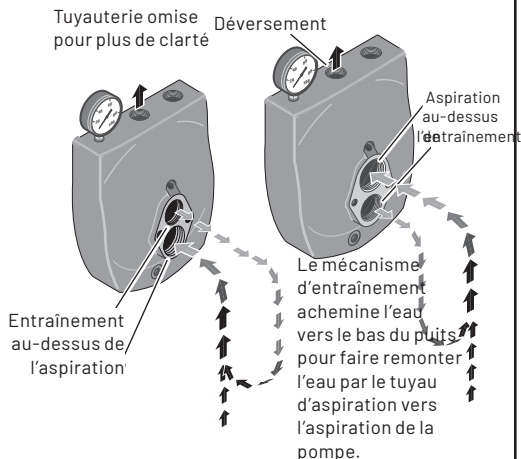


Figure 1 : Fonctions d'entraînement et d'aspiration

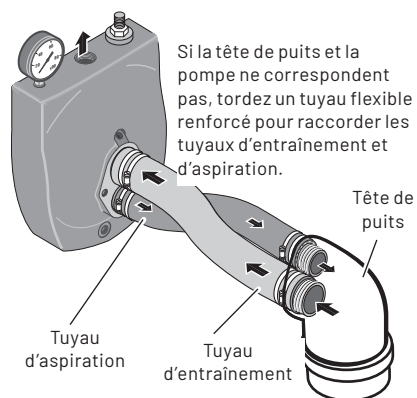


Figure 2 : Raccords inversés vers le puits

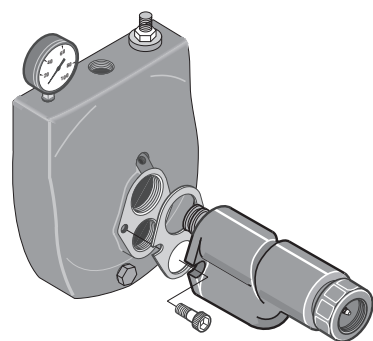


Figure 3 : Montage de l'éjecteur - Puits peu profond

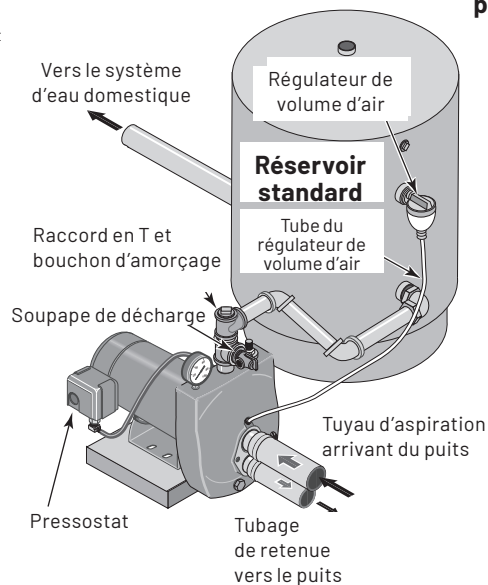
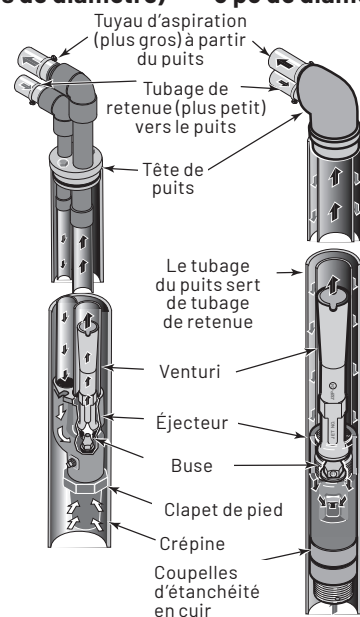


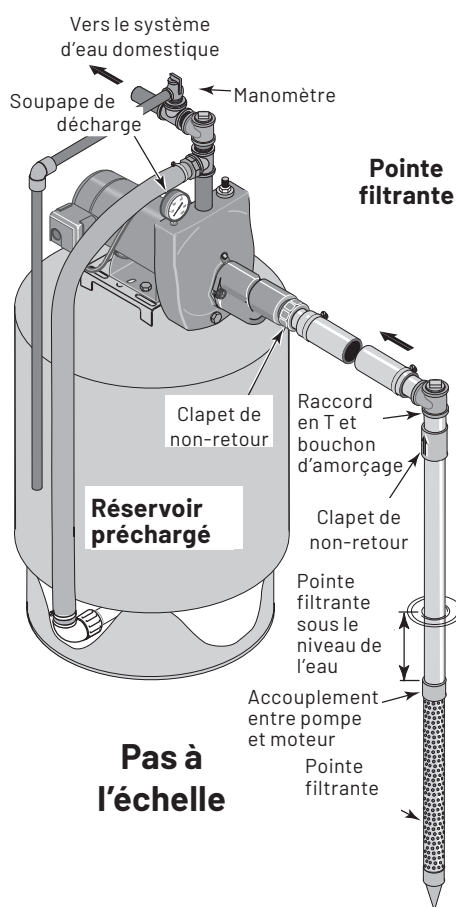
Figure 4 : Installations de puits profonds types

« Tuyau double »
(puits de 4 po et plus de diamètre)

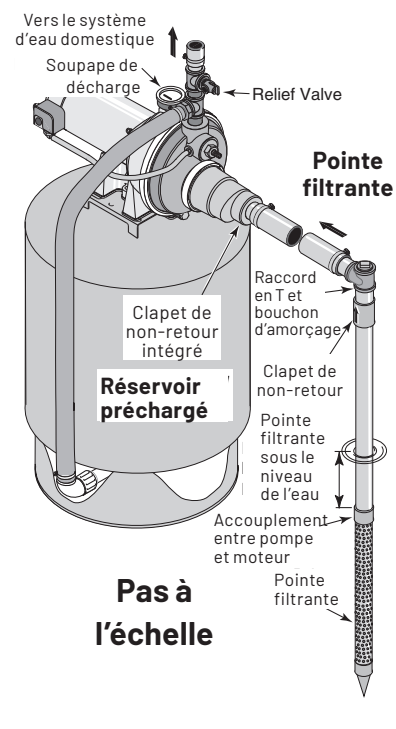
« Tuyau unique »
(puits de 2 po et de 3 po de diamètre)



1834 0695



Pas à l'échelle



Pas à l'échelle

Figure 5 : Installations de puits peu profonds types

RACCORDEMENT DU RÉSERVOIR DE PRÉCHARGE (FIGURE 6)

Si votre système utilise un réservoir préchargé, il doit être branché à la pompe comme indiqué à la figure 6. La soupape de décharge doit être conçue de manière à pouvoir laisser passer toute la capacité de la pompe à une pression de 100 lb/po².

Vérifiez la précharge d'air dans le réservoir à l'aide d'un manomètre standard pour pneus. La précharge est mesurée lorsqu'il n'y a pas de pression d'eau dans le réservoir. Débranchez l'alimentation de la pompe et vidangez le réservoir avant de vérifier la précharge. Votre pompe est munie d'un pressostat de 30/50 lb/po², donc la pression de précharge du réservoir doit être de 28 lb/po² (c'est-à-dire qu'elle doit être inférieure de 2 lb/po² à la pression d'enclenchement du commutateur).

Aucun RVA n'est nécessaire pour un réservoir préchargé; l'orifice du RVA de 1/8 po NPT sur le corps de la pompe doit être bouché.

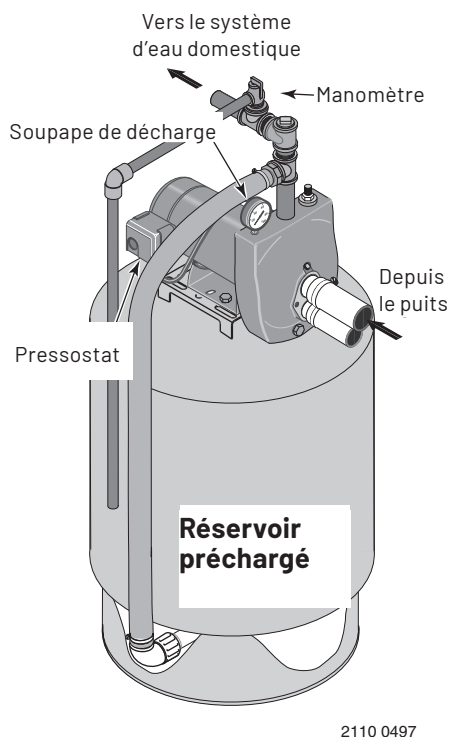


Figure 6 : Raccordements du réservoir préchargé

RACCORDEMENT DU RÉSERVOIR STANDARD (FIGURE 7)

Si votre système utilise un réservoir standard, raccordez-le à la pompe comme indiqué à la figure 7. La soupape de décharge utilisée avec un réservoir standard doit être en mesure de laisser passer toute la capacité de la pompe à une pression de 75 lb/po².

Raccordez le tube du régulateur de volume d'air (RVA) à l'orifice du RVA de 1/8 po NPT sur le corps de la pompe. Faites passer le tuyau de l'orifice du RVA de la pompe au RVA monté sur le réservoir. Voir les instructions fournies avec le réservoir et le RVA pour plus de renseignements.

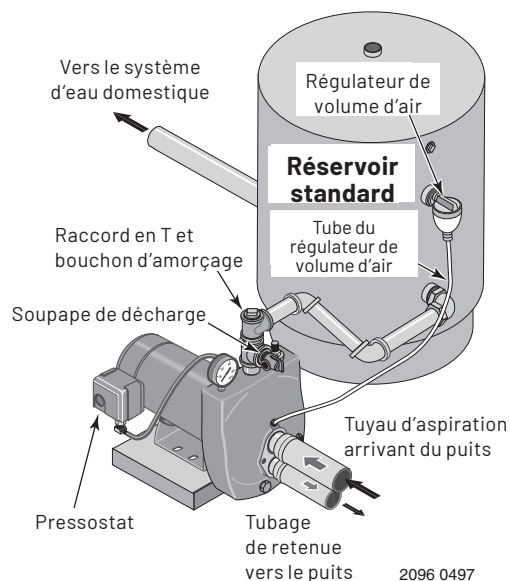


Figure 7 : Raccordements du réservoir standard

SCELLER LES JOINTS DE TUYAUX

N'utilisez que du ruban d'étanchéité pour filetage de tuyau en PTFE pour réaliser tous les raccords filetés de la pompe elle-même. **N'utilisez pas de composés pour joints de tuyaux sur les pompes en plastique** : ils peuvent réagir avec le plastique des composants de la pompe. Assurez-vous que tous les joints du tuyau d'aspiration sont étanches à l'air et à l'eau. Si le tuyau d'aspiration n'est pas étanche, la pompe ne sera pas en mesure d'extraire l'eau du puits.

PARAMÈTRES DU COMMUTATEUR DE MOTEUR

⚠ DÉBRANCHEZ L'ALIMENTATION AVANT DE TRAVAILLER SUR LA POMPE, LE MOTEUR, LE PRESSOSTAT OU LE CÂBLAGE.

REMARQUE : Les moteurs de 1/3 HP et 1/2 HP sont à bitension et sont réglés en usine à 115 V. Les moteurs de 3/4 HP et 1 HP sont également à bitension, mais sont réglés en usine à 230 V. La plaque à bornes du moteur (située sous le couvercle du moteur) doit ressembler à celle illustrée ci-dessous. Utilisez les instructions pour régler votre moteur en fonction de votre source d'alimentation.

⚠ AVER TISSEMENT Ne raccordez jamais un moteur réglé à 115 V à une source d'alimentation de 230 V.

SÉLECTEUR DE TENSION A TYPE DE PRISE

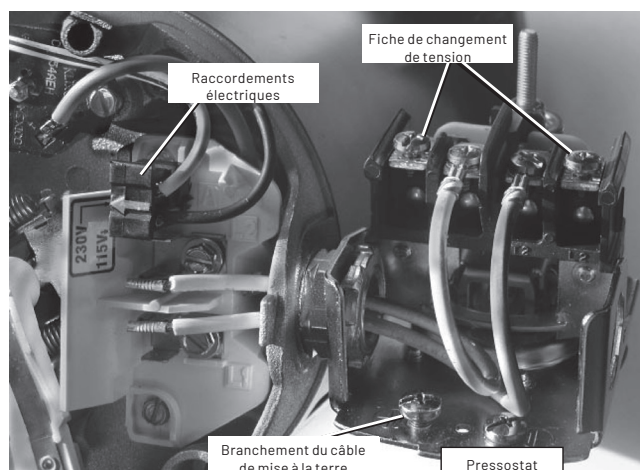


Figure 8 : Tension réglée à 230 volts, type de fiche

La tension est réglée en usine à 230 volts. Pour passer à 115 volts :

1. Assurez-vous que l'alimentation électrique est coupée.
2. Retirez la fiche de changement de tension des languettes.
3. Placez la fiche de changement de tension à la position 115 volts.

La fiche recouvrira maintenant 2 languettes métalliques et la flèche sur la fiche sera alignée avec la flèche 115 V figurant sur l'étiquette (voir la figure 9).



Figure 9 : Tension réglée à 115 volts, type de fiche

4. Fixez les fils d'alimentation entrants aux deux vis extérieures du pressostat comme illustré à la figure 8.
5. Fixez le fil de mise à la terre à l'un des raccords de mise à la terre, comme illustré à la figure 8.
6. S'il y a d'autres fils, ils doivent être munis de capuchons de connexion.
7. Réinstallez le couvercle d'extrémité du moteur.

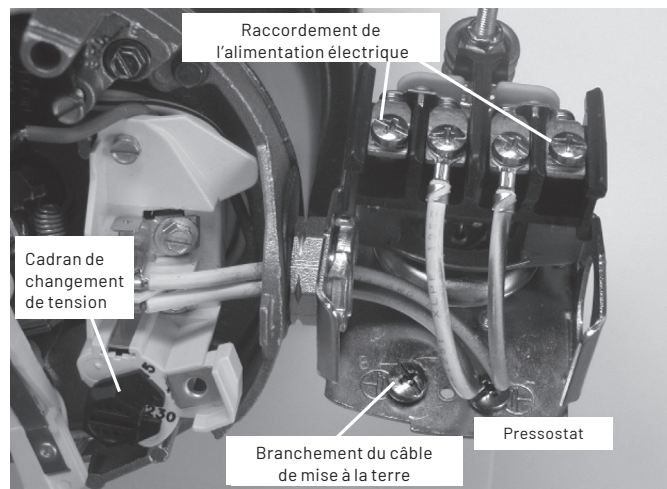


Figure 10 : Tension réglée à 230 volts, type de cadran

La tension est réglée en usine à 230 volts. Pour passer à 115 volts :

1. Assurez-vous que l'alimentation électrique est coupée.
2. Tournez le cadran dans le sens inverse des aiguilles d'une montre jusqu'à ce que le chiffre 115 soit affiché sur la fenêtre du cadran, comme illustré à la figure 11.



Figure 11 : Tension réglée à 115 volts, type de cadran

3. Fixez les fils d'alimentation entrants aux deux vis extérieures du pressostat comme illustré à la figure 10.
4. Fixez le fil de terre à l'un des raccords de mise à la terre, comme illustré à la figure 10.
5. S'il y a d'autres fils, ils doivent être munis de capuchons de connexion.
6. Réinstallez le couvercle d'extrémité du moteur.

ÉLECTRICITÉ

⚠ AVER TISSEMENT TENSION DANGEREUSE. Peut causer un choc électrique, des brûlures ou la mort. Raccordez le fil de terre avant de raccorder les fils d'alimentation. Utilisez la taille de fil (y compris le fil de terre) indiquée dans le tableau de câblage. Si possible, raccordez la pompe à un circuit de dérivation distinct qui n'alimente aucun autre appareil.

⚠ AVER TISSEMENT RISQUE D'EXPLOSION. Ne pas mettre à la terre sur une conduite d'alimentation en gaz.

RACCORDEMENTS DE CÂBLAGE

⚠ AVER TISSEMENT RISQUE D'INCENDIE. Une tension inadéquate peut provoquer un incendie ou endommager sérieusement le moteur et annuler la garantie. La tension d'alimentation doit se situer à $\pm 10\%$ de la tension indiquée sur la plaque signalétique du moteur.

- ◆ Les moteurs à double tension sont configurés par défaut à 230 volts. Si nécessaire, reconfigurez le moteur à 115 volts, comme illustré. Ne modifiez pas le câblage des moteurs à simple tension.
- ◆ Installez, mettez à la terre, câblez et entretenez votre pompe en respectant les directives du Code national de l'électricité des États-Unis (CNE) ou du Code canadien de l'électricité (CCE), selon le cas, ainsi que tous les codes et ordonnances locaux applicables. Consultez votre inspecteur des bâtiments local pour plus de renseignements sur les codes.

PROCÉDURE DE RACCORDEMENT

1. Raccordez d'abord le fil de mise à la terre (figure 9). Le fil de terre doit être un fil en cuivre massif ayant un diamètre équivalent ou supérieur à celui des fils d'alimentation.
2. Un raccordement métallique solide doit exister entre le pressostat et le moteur pour la protection de la mise à la terre du moteur. Si le pressostat n'est pas raccordé au moteur, raccordez la vis de masse verte du pressostat à la vis de masse verte située sous le couvercle d'extrémité du moteur. Utilisez un fil en cuivre massif ayant un diamètre équivalent ou supérieur à celui des fils d'alimentation.
3. Raccordez le fil de terre à un fil mis à la terre dans un panneau de service, à une conduite d'eau souterraine en métal, à un tubage de puits en métal d'une longueur d'au moins dix pieds (3 m) ou à une électrode de terre fournie par le fournisseur d'électricité ou l'autorité hydroélectrique.
4. Raccordez les fils d'alimentation au pressostat comme illustré à la figure 9.

SÉRIES SL, FL, PL, HR

HP	TENSION	INTENSITÉ DE CHARGE MAXIMALE	VALEUR NOMINALE DU FUSIBLE (INTENSITÉ)	DISTANCE EN PIEDS (MÈTRES) DU MOTEUR À LA SOURCE D'ALIMENTATION			
				0 À 100 (0 À 30)	101 À 200 (31 À 61)	201 À 300 (62 À 91)	301 À 400 (92 À 122)
				TAILLE DES FILS AWG (MM ²)			
1/2	115/230	8,5/4,3	15/15	14/14 (2/2)	12/14 (3/2)	10/14 (5,5/2)	8/14 (8,4/2)
3/4	115/230	11,4/5,7	20/15	14/14 (2/2)	10/14 (5,5/2)	8/14 (8,4/2)	6/12 (14/3)
1	115/230	12,2/6,1	25/15	12/14 (3/2)	8/14 (8,4/2)	8/14 (8,4/2)	6/12 (14/3)
1 1/2	115/230	18,4/9,2	30/20	10/14 (5,5/2)	8/14 (8,4/2)	6/12 (14/3)	4/10 (21/5,5)

SÉRIE HL

HP	TENSION	INTENSITÉ DE CHARGE MAXIMALE	VALEUR NOMINALE DU FUSIBLE (INTENSITÉ)	DISTANCE EN PIEDS (MÈTRES) DU MOTEUR À LA SOURCE D'ALIMENTATION			
				0 À 100 (0 À 30)	101 À 200 (31 À 61)	201 À 300 (62 À 91)	301 À 400 (92 À 122)
				TAILLE DES FILS AWG (MM ²)			
1/2	115/230	11,4/5,7	20/15	14/14 (2/2)	10/14 (5,5/2)	8/14 (8,4/2)	6/12 (14/3)
3/4	115/230	12,2/6,1	25/15	12/14 (3/2)	8/14 (8,4/2)	8/14 (8,4/2)	6/12 (14/3)
1	115/230	18,4/9,2	30/20	10/14 (5,5/2)	8/14 (8,4/2)	6/12 (14/3)	4/10 (21/5,5)

ÉLECTRICITÉ

SÉRIES HMS, LT2

HP	TENSION	INTENSITÉ DE CHARGE MAXIMALE	VALEUR NOMINALE DU FUSIBLE (INTENSITÉ)	DISTANCE EN PIEDS (MÈTRES) DU MOTEUR À LA SOURCE D'ALIMENTATION			
				0 À 100 (0 À 30)	101 À 200 (31 À 61)	201 À 300 (62 À 91)	301 À 400 (92 À 122)
				TAILLE DES FILS AWG (MM ²)			
3/4	115/230	14,8/7,4	20/15	12/14 (3/2)	8/14 (8,4/2)	6/14 (14/2)	6/12 (14/3)
1	115/230	19,2/9,6	25/15	10/14 (5,5/2)	8/14 (8,4/2)	6/12 (14/3)	4/10 (21/5,5)
1 1/2	115/230	24,0/12,0	30/15	10/14 (5,5/2)	6/14 (14/2)	6/12 (14/3)	4/10 (21/5,5)

SÉRIES MS, MVPH

HP	TENSION	INTENSITÉ DE CHARGE MAXIMALE	VALEUR NOMINALE DU FUSIBLE (INTENSITÉ)	DISTANCE EN PIEDS (MÈTRES) DU MOTEUR À LA SOURCE D'ALIMENTATION			
				0 À 100 (0 À 30)	101 À 200 (31 À 61)	201 À 300 (62 À 91)	301 À 400 (92 À 122)
				TAILLE DES FILS AWG (MM ²)			
3/4	115/230	14,8/7,4	20/15	12/14 (3/2)	8/14 (8,4/2)	6/14 (14/2)	6/12 (14/3)
1	115/230	18,4/9,2	30/20	10/14 (5,5/2)	8/14 (8,4/2)	6/12 (14/3)	4/10 (21/5,5)
1 1/2	230	12	15	14 (2)	14 (2)	12 (3)	10 (5,5)
2	230	11,5	15	14 (2)	14 (2)	12 (3)	10 (5,5)

SÉRIE HJ

HP	TENSION	INTENSITÉ DE CHARGE MAXIMALE	VALEUR NOMINALE DU FUSIBLE (INTENSITÉ)	DISTANCE EN PIEDS (MÈTRES) DU MOTEUR À LA SOURCE D'ALIMENTATION			
				0 À 100 (0 À 30)	101 À 200 (31 À 61)	201 À 300 (62 À 91)	301 À 400 (92 À 122)
				TAILLE DES FILS AWG (MM ²)			
1/2	115/230	11,2/5,6	20/15	12/14 (3/2)	10/14 (5,5/2)	8/14 (8,4/2)	6/12 (14/3)
3/4	115/230	14,8/7,4	20/15	12/14 (3/2)	8/14 (8,4/2)	6/14 (14/2)	6/12 (14/3)
1	115/230	18,6/9,3	25/15	10/14 (5,5/2)	8/14 (8,4/2)	6/12 (14/3)	4/10 (21/5,5)

PRÉPARATION À LA MISE EN SERVICE DE LA POMPE – PUIITS PROFONDS

PRÉPARATION À LA MISE EN SERVICE DE LA POMPE

⚠ Avertissement **NE FAITES JAMAIS FONCTIONNER LA POMPE LORSQUE L'ORIFICE DE REFOULEMENT EST FERMÉ.** Cela pourrait faire bouillir l'eau à l'intérieur de la pompe et provoquer une pression dangereuse dans l'appareil, un risque d'explosion et l'ébouillantage éventuel des personnes manipulant la pompe.

⚠ Attention **NE FAITES JAMAIS FONCTIONNER LA POMPE À SEC.** Le fonctionnement de la pompe sans eau peut entraîner une surchauffe de la pompe, endommager le joint et éventuellement causer des brûlures aux personnes qui manipulent la pompe. Remplissez la pompe avec de l'eau avant de la démarrer.

1. Ouvrez la vanne de régulation à son maximum (voir la figure 12). Ensuite, retirez le bouchon d'amorçage de la pompe et remplissez la pompe, remplissez toute la tuyauterie entre la pompe et le puits et assurez-vous que la tuyauterie dans le puits est pleine. Si un raccord d'amorçage a également été installé sur le tuyau d'aspiration, retirez le bouchon du raccord et remplissez le tuyau d'aspiration.

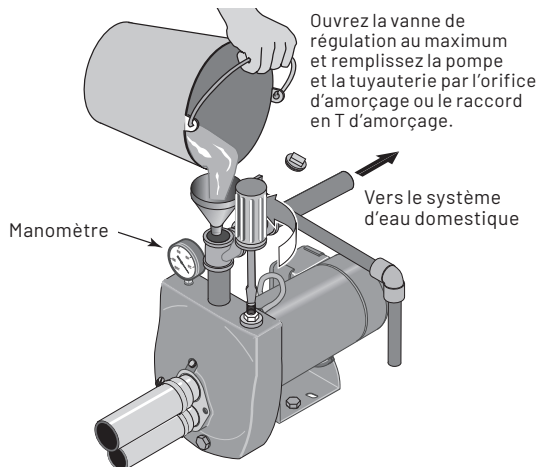


Figure 12 : Remplir la pompe

2. Remplacez tous les bouchons de remplissage et fermez complètement la vanne de régulation (figure 13).

Remplacez tous les bouchons de remplissage et fermez complètement la vanne de régulation.

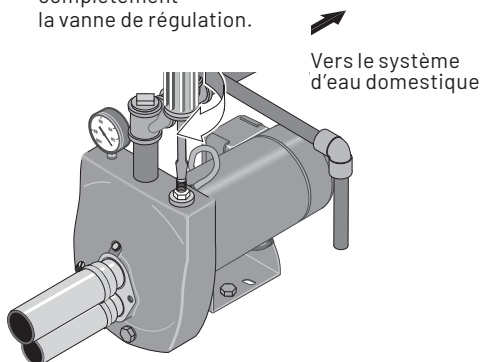
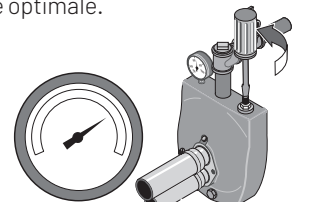
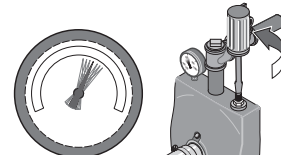


Figure 13 : Amorcer la pompe

3. Mettez l'appareil sous tension! Démarrez la pompe et observez le manomètre. La pression devrait augmenter rapidement jusqu'à 50 lb/po² pendant que la pompe s'amorce.
4. Après 2 ou 3 minutes, le manomètre devrait indiquer une certaine pression. Si ce n'est pas le cas, arrêtez la pompe, retirez les bouchons de remplissage, rouvrez la vanne de régulation et remplissez à nouveau la pompe et la tuyauterie. Vous devrez peut-être répéter cette opération deux ou trois fois afin d'évacuer tout l'air emprisonné dans la tuyauterie. N'oubliez pas de fermer la vanne de régulation chaque fois que vous démarrez la pompe.
5. Lorsque la pression s'est accumulée et stabilisée à environ 50 lb/po², ouvrez lentement la vanne de régulation (voir la figure 14) et laissez la pression chuter jusqu'à ce que l'aiguille du manomètre commence à osciller. Si l'aiguille oscille, fermez la vanne juste assez pour arrêter l'oscillation (voir la figure 14). Votre pompe fonctionne désormais à un niveau d'efficacité optimale.



A- Ouvrez la vanne de régulation



B- Observez l'oscillation du manomètre



C- Fermez la vanne de régulation jusqu'à ce que la pression se stabilise

Figure 14 : Régler de la vanne de régulation

6. Une fois que la pression a augmenté dans le système et après l'arrêt de la pompe, vérifiez le fonctionnement du pressostat en ouvrant un ou deux robinets et en faisant couler suffisamment d'eau pour évacuer la pression jusqu'à ce que la pompe démarre. La pompe doit démarrer lorsque la pression baisse à 30 psi et s'arrêter lorsque la pression atteint 50 psi. Faites fonctionner la pompe pendant un ou deux cycles complets pour vous assurer de son bon fonctionnement. Cela permettra également de libérer la saleté et le tartre délogés pendant l'installation.

REMARQUE : Les Packer Jets (puits à tuyau unique de 2 et 3 po) ne forment pas un joint parfait. Les irrégularités normales du cuir de la coupelle d'étanchéité et des parois internes de la carcasse permettent à la pression d'un système dormant de s'échapper au fil du temps. La pompe devra alors effectuer des cycles périodiques pour maintenir le niveau de pression du système.

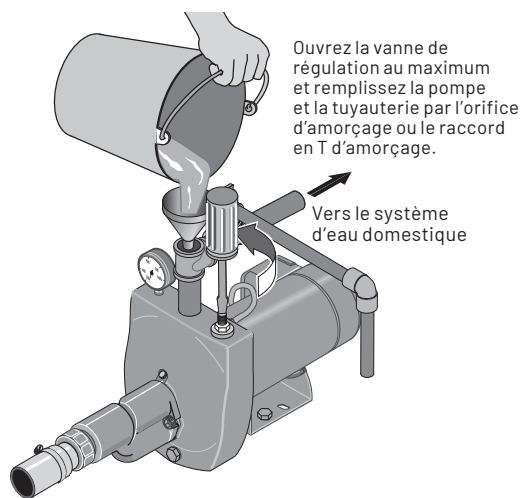
PRÉPARATION À LA MISE EN SERVICE DE LA POMPE – PUIITS PEU PROFONDS

PRÉPARATION À LA MISE EN SERVICE DE LA POMPE

⚠ ATENTION **NE FAITES JAMAIS FONCTIONNER LA POMPE À SEC.** Le fonctionnement de la pompe sans eau peut entraîner une surchauffe de la pompe, endommager le joint et éventuellement causer des brûlures aux personnes qui manipulent la pompe. Remplissez la pompe avec de l'eau avant de la démarrer.

⚠ AVER TISSEMENT **NE FAITES JAMAIS FONCTIONNER LA POMPE LORSQUE L'ORIFICE DE REFOULEMENT EST FERMÉ.** Cela pourrait faire bouillir l'eau à l'intérieur de la pompe et provoquer une pression dangereuse dans l'appareil, un risque d'explosion et l'ébouillantage éventuel des personnes manipulant la pompe.

1. Ouvrez la vanne de régulation à son maximum (voir la figure 15). Ensuite, retirez le bouchon d'amorçage de la pompe et remplissez la pompe, remplissez toute la tuyauterie entre la pompe et le puits et assurez-vous que la tuyauterie dans le puits est pleine. Si un raccord d'amorçage a également été installé sur le tuyau d'aspiration, retirez le bouchon du raccord et remplissez le tuyau d'aspiration.



2411 0497

Figure 15 : Ouvrir la vanne de régulation

2. Remplacez tous les bouchons de remplissage. La vanne de régulation doit rester ouverte (dans le cadre d'une installation de puits peu profond, la vanne de régulation reste toujours ouverte).
3. Mettez l'appareil sous tension! Démarrez la pompe. La pompe doit pomper l'eau en deux ou trois minutes.
4. Si après deux ou trois minutes il n'y a toujours pas d'eau, arrêtez la pompe et retirez les bouchons de remplissage. Remplissez à nouveau la pompe et la tuyauterie. Vous devrez peut-être répéter cette opération deux ou trois fois afin d'évacuer tout l'air emprisonné dans la tuyauterie. La vanne de régulation doit demeurer ouverte tout au long de cette procédure.
5. Une fois que la pression a augmenté dans le système et après l'arrêt de la pompe, vérifiez le fonctionnement du pressostat en ouvrant un ou deux robinets et en faisant couler suffisamment d'eau pour évacuer la pression jusqu'à ce que la pompe démarre. La pompe doit démarrer lorsque la pression baisse à 30 lb/Po² et s'arrêter lorsque la pression atteint 50 lb/Po². Faites fonctionner la pompe pendant un ou deux cycles complets pour vous assurer de son bon fonctionnement. Cela permettra également de libérer la saleté et le tartre délogés pendant l'installation.

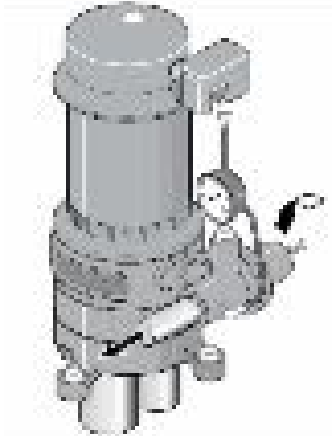


Figure 16A : Fermer la soupape de régulation

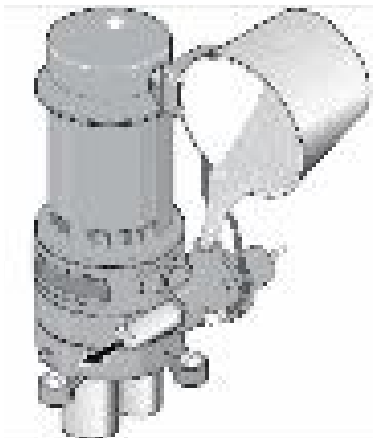


Figure 16B : Remplir la pompe avec de l'eau



Figure 16C : Démarrer la pompe

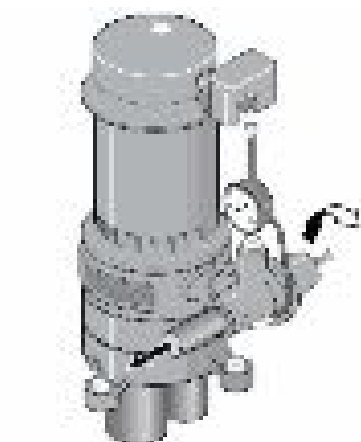


Figure 16D : Régler la soupape de régulation

PRÉPARATION À LA MISE EN SERVICE DE LA POMPE

⚠ ATTENTION NE FAITES JAMAIS FONCTIONNER LA POMPE

À SEC. Le fonctionnement de la pompe sans eau peut entraîner une surchauffe de la pompe, endommager le joint d'étanchéité et éventuellement causer des brûlures aux personnes qui manipulent la pompe. Remplissez la pompe avec de l'eau avant de la démarrer.

⚠ AVER TISSEMENT NE FAITES JAMAIS FONCTIONNER

LA POMPE LORSQUE L'ORIFICE DE REFOULEMENT EST FERMÉ.

Cela pourrait faire bouillir l'eau à l'intérieur de la pompe et provoquer une pression dangereuse dans l'appareil, un risque d'explosion et l'ébouillantage éventuel des personnes manipulant la pompe.

REMARQUE : Ouvrez les robinets du système d'eau avant d'amorcer la pompe pour la première fois.

1. Retirez le manomètre.
 - a. Fermez la soupape de régulation (tournez dans le sens des aiguilles d'une montre – voir la figure 16).
 - b. Remplissez la pompe et le tuyau d'aspiration avec de l'eau (figure 16).
 - c. Remplacez le manomètre en utilisant du ruban d'étanchéité pour filetage de tuyau en PTFE sur le filetage; serrez le manomètre.

IMPORTANT : Si un raccord en T d'amorçage et un bouchon ont été prévus pour un long circuit horizontal, veillez à remplir le tuyau d'aspiration par ce raccord en T et à replacer le bouchon. (N'oubliez pas d'appliquer un ruban d'étanchéité pour filetage de tuyau en PTFE sur le bouchon).

2. Démarrez la pompe : La pression doit augmenter rapidement jusqu'à 50 livres par pouce carré ou plus lorsque l'éjecteur et la pompe s'amorcent.

EN L'ABSENCE DE PRESSION OU D'EAU, RÉPÉTEZ l'étape n° 1 (ci-dessus) deux ou trois fois pour éliminer l'air emprisonné dans les tuyaux d'aspiration.

3. Si, après avoir amorcé la pompe plusieurs fois, aucune eau n'est pompée, vérifiez les points suivants :
 - a. Le tuyau d'aspiration se trouve dans l'eau et ne présente pas de fuites.

REMARQUE : L'air peut s'infiltrer même s'il n'y a pas d'eau qui s'échappe. Assurez-vous que tous les joints sont bien serrés.
 - b. La vanne de régulation, le clapet anti-retour ou le clapet de pied sont installés de manière adéquate et fonctionnent correctement.
 - c. La pompe essaie de faire remonter l'eau plus de 25 pieds (puits peu profond) ou plus que la hauteur nominale de l'éjecteur de puits profond utilisé (y compris la compensation pour le décalage horizontal).
 - d. Assurez-vous que la pompe n'est pas bloquée par de l'air. Dans les installations décalées, l'orifice d'aspiration de la pompe doit être le point le plus élevé du tuyau d'aspiration; il ne doit pas y avoir d'affaissement du tuyau d'aspiration (il doit être droit et légèrement incliné vers le haut, de la tête du puits à la pompe).

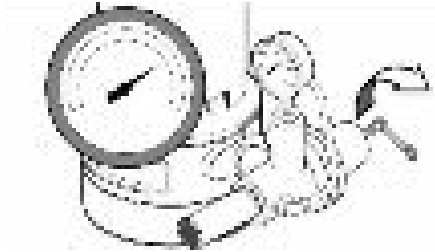


Figure 17A : Ouvrir la soupape de régulation

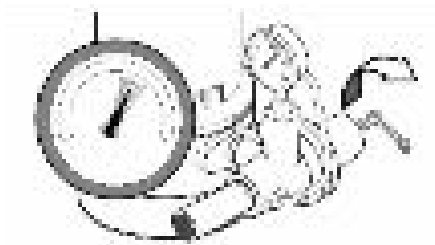


Figure 17B : Observer l'oscillation du manomètre

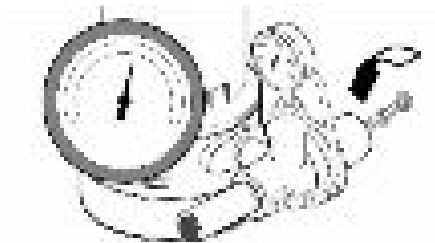


Figure 17C : Fermer la soupape de régulation jusqu'à ce que la pression se stabilise

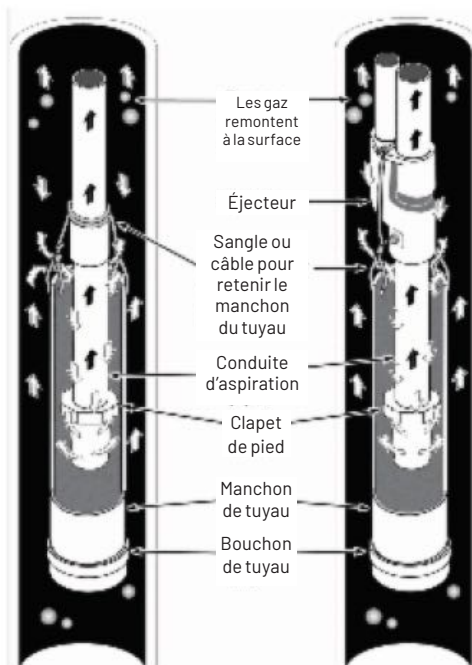


Figure 18 : Contrôle des gaz/de l'air dans le puits

4. Une fois que la pompe a été amorcée et que la pression s'est stabilisée, ouvrez lentement la soupape de régulation (en tournant dans le sens inverse des aiguilles d'une montre – figure 14A) jusqu'à ce que la pression diminue (l'aiguille du manomètre oscille; la pompe pourrait devenir bruyante – voir la figure 14B). À ce stade, fermez légèrement la soupape de régulation (en tournant dans le sens des aiguilles d'une montre) jusqu'à ce que la pression se stabilise. Ce réglage permet d'obtenir un débit maximal (figure 17C).
5. À ce stade, la pompe peut tirer l'eau du puits suffisamment loin pour perdre son amorçage. Si c'est le cas, fermez la soupape de régulation jusqu'à ce que la pression soit stable pendant tout le cycle de pompage. Fermez les robinets et laissez la pompe pressuriser le réservoir et s'arrêter.
6. Vérifiez le système en ouvrant et fermant les robinets du système en alternance. Lorsque les robinets sont ouverts, la pression baisse jusqu'à ce que la pompe démarre; lorsque les robinets sont fermés, la pression augmente jusqu'à ce que la pompe s'arrête.
7. Il existe certaines conditions de fonctionnement de puits profonds dans lesquelles la soupape de régulation peut être complètement ouverte sans que la pression ne faiblisse. Dans ce cas, faites fonctionner la pompe avec la soupape de régulation ouverte.

COMMENT GÉRER UN PUIS GAZEUX

Dans certaines régions, l'eau de puits contient des gaz qui doivent être éliminés avant que l'eau ne soit utilisée. Pour distribuer de l'eau exempte de gaz, suspendez un tuyau, fermé d'en bas et ouvert d'en haut, de manière à ce qu'il enveloppe l'entrée du tuyau (voir la figure 18). Puisque les gaz remontent dans la carcasse du puits, l'eau aspirée par le tuyau et dans la pompe d'aspiration est exempte de gaz. Ce type de puits doit être ventilé vers l'extérieur de toute enceinte.

RÉGULATION DE L'AIR DANS LES PUIS D'ÉCOULEMENT

Les puits à écoulement ou les puits avec peu ou pas de rabattement, peuvent créer un problème particulier de régulation d'air dans le fonctionnement de votre système de réservoir standard. Dans ce cas, il est recommandé d'utiliser un réservoir préchargé (qui ne nécessite pas de régulation d'air).

ENTRETIEN

MODÈLES HJ ET HJA

⚠ Avertissement **RISQUE DE DÉCHARGE ÉLECTRIQUE**

Peut causer un choc électrique, des brûlures ou la mort. Pour éviter toute blessure accidentelle, il faut couper l'alimentation électrique de la pompe et vider le réservoir sous pression avant de procéder à l'entretien de la pompe.

MODE DE DÉMANTÈLEMENT (PUITS PROFOND HJ)

1. Débranchez l'alimentation et videz le réservoir sous pression avant de démonter la pompe.
2. Débranchez le tube du pressostat, retirez les boulons de la carcasse de la pompe et le support des verrous verticaux.
3. Utilisez un tournevis lourd derrière le boulon et faites levier pour séparer le support du moteur de la carcasse.
4. Retirez les boulons de la plaque du diffuseur et détachez le diffuseur (figure 19). Lors du remplacement du diffuseur, utilisez trois cales de 0,010 po d'épaisseur espacées de manière égale entre l'œil de l'impulseur et le diffuseur pour éviter que la impulseur ne frotte le diffuseur et ne se coince.

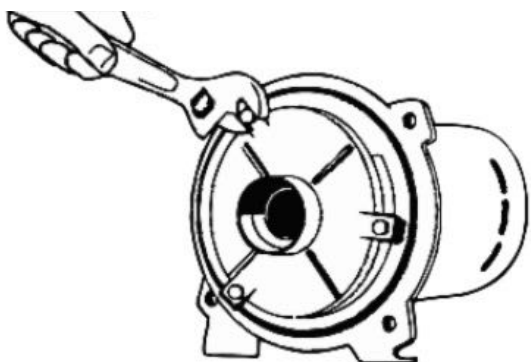


Figure 19 : Retirer la plaque du diffuseur

5. Retirez la impulseur en tenant l'arbre de la pompe à l'aide d'une pince pour pompe à eau et en dévissant la impulseur. En vous plaçant face à la impulseur, utilisez la main gauche pour tourner dans le sens inverse des aiguilles d'une montre afin de la retirer (figure 20). La impulseur peut également être retiré en faisant levier sur l'embout de l'arbre moteur. Insérez un tournevis dans la fente de l'extrémité de l'arbre ou une clé à fourche de 7/16 po sur les méplats de l'arbre et maintenez-les pour empêcher la rotation de l'arbre. Dévissez la impulseur dans le sens inverse des aiguilles d'une montre.

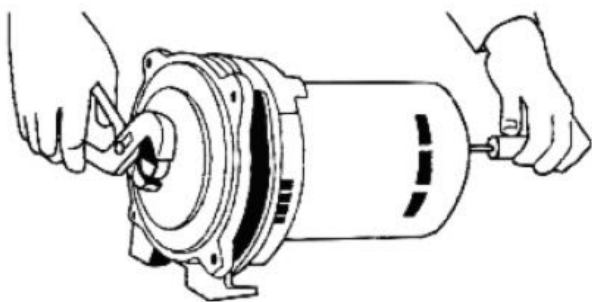


Figure 20 : Retirer la impulseur

6. À l'aide de deux tournevis, comme indiqué sur la figure 21, faites levier pour retirer l'ensemble rotatif du joint d'arbre.

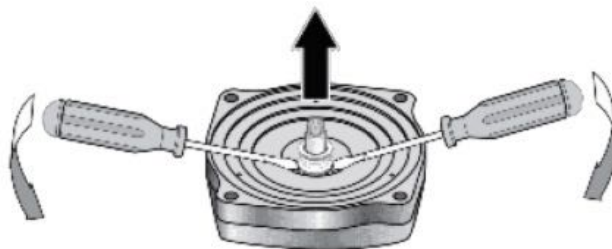


Figure 21 : Retirer le joint d'étanchéité

7. L'arbre de la pompe est le prolongement de l'arbre du moteur, il n'est donc pas nécessaire de remplacer ou de régler la position du joint.
8. Retirez les quatre boulons qui maintiennent le moteur sur le support et retirez le moteur.

MODE DE DÉMANTÈLEMENT (PUITS PEU PROFOND HJ)

1. Débranchez l'alimentation et videz le réservoir sous pression avant de démonter la pompe.
2. Retirez les boulons de la carcasse et faites levier pour retirer le support de la carcasse de la pompe.
3. Retirez le tamis et la plaque de diffusion en plastique. Lors du remplacement du diffuseur, utilisez trois cales d'une épaisseur de 0,010 po également espacées entre l'œil de l'impulseur et le diffuseur pour éviter que la impulseur ne frotte le diffuseur et les fixations.
4. Sur les modèles de 1/2 HP, tenez la impulseur avec des pinces et dévissez le tube de venturi. Sur les modèles à 3/4 et 1 HP, le tube de venturi est vissé dans la carcasse de la pompe (figure 22).

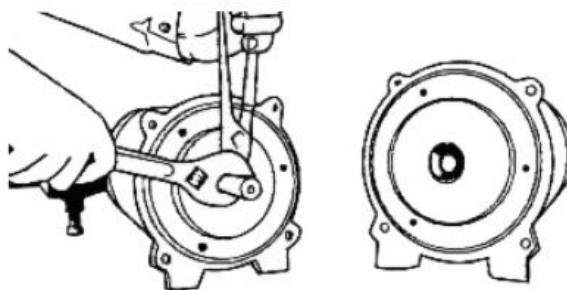


Figure 22 : Retirer le venturi

5. Tenez l'arbre de la pompe avec des pinces et dévissez la impulseur comme illustré (Figure 20).
6. Lors du remplacement de la impulseur, limez toutes les coupures causées par la pince sur l'arbre après l'avoir bien serrée en position.
7. Le tamis d'amorçage doit être placé en orientant le cran d'arrêt vers le bas. CELA EST IMPORTANT POUR UN AMORÇAGE ADÉQUAT. N'OUBLIEZ PAS DE METTRE CE TAMIS.
8. La buse des modèles de 1/2 HP peut être retirée de la carcasse de la pompe à l'aide d'une clé à douille standard de 11/4 po munie d'une extension (figure 14). Sur les modèles de 3/4 et de 1 HP, le tube de venturi et la buse peuvent être retirés de la même manière en utilisant une douille de 27/32 po pour le venturi et une douille de 9/16 po avec une extension pour la buse.

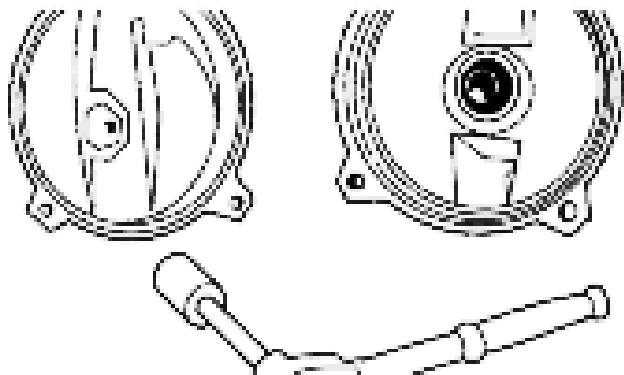


Figure 23 : Retirer la buse

9. Lors du remplacement de la buse et du venturi, assurez-vous qu'ils sont bien serrés contre l'épaulement. Faites attention de ne pas croiser les fils. Si la buse n'est pas complètement engagée dans la carcasse, le débit sera bloqué par l'entrée du venturi.
10. Retirez les quatre boulons qui maintiennent le moteur sur le support et retirez le moteur.

REMPACEMENT DE LA GARNITURE MÉCANIQUE

1. La garniture utilisée sur tous les appareils HJ est de 5/8 po.
2. Cette garniture est composée de deux parties :
 - a. Ensemble rotatif, ressort en acier inoxydable, bague d'entraînement avec bague en caoutchouc et joint d'étanchéité en carbone.
 - b. Bague d'étanchéité stationnaire en céramique montée dans une coupelle en caoutchouc synthétique.
3. Remplacez toujours l'ensemble rotatif et le joint céramique stationnaire. **N'UTILISEZ PAS L'ANCIEN SIÈGE FIXE AVEC LE NOUVEAU JOINT DE L'ENSEMBLE ROTATIF.**
4. L'ancienne bague en céramique peut être retirée du boîtier en la cassant à l'aide d'un burin ou d'un tournevis sans retirer l'arbre de la pompe.
5. Le boîtier et l'arbre doivent être propres et exempts de sable et de saleté avant d'installer la nouvelle garniture. Lavez les pièces à l'eau courante.
6. Placez le joint céramique fixe dans le boîtier. Enfoncez avec les doigts seulement.
7. Placez l'ensemble rotatif sur l'arbre et la bague en carbone vers le siège en céramique puis appuyez avec les doigts pour bien mettre en place.
8. La saleté sur les faces du joint peut provoquer une défaillance.

Toutes les pièces de pompage de la pompe peuvent être retirées de la carcasse sans effet sur le fonctionnement de la tuyauterie du puits ou du réservoir.

MODÈLES HR

MODE DE DÉMANTÈLEMENT (PUITS PROFOND HR)

1. Débranchez l'alimentation et videz le réservoir sous pression avant de démonter la pompe.
2. Débranchez le tube du pressostat, retirez les quatre vis d'assemblage et séparez la carcasse de la pompe de la plaque d'étanchéité.
3. Retirez les trois vis d'assemblage qui maintiennent le diffuseur sur la plaque d'étanchéité et retirez le diffuseur. Lors du remplacement du diffuseur, utilisez trois cales d'une épaisseur de 0,010 po également espacées entre l'œil de la impulseur et l'ouverture du diffuseur. Cela permet de centrer le diffuseur et d'éviter le frottement de la impulseur (figure 24).

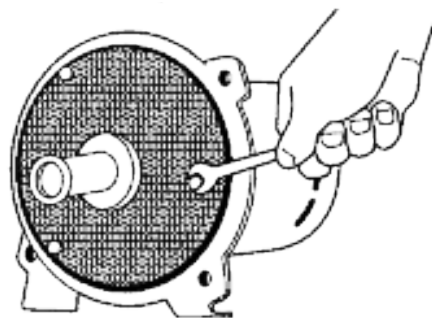


Figure 24 : Retirer le diffuseur

4. Retirez l'impulseur en tenant l'arbre de la pompe avec un tournevis placé dans l'extrémité fendue de l'arbre du moteur et en faisant tourner la impulseur dans le sens inverse des aiguilles d'une montre (Figure 25).

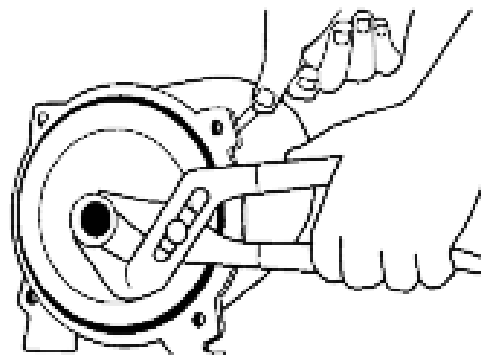


Figure 25 : Retirer la impulseur

5. Retirez l'assemblage rotatif du joint d'arbre.
6. La plaque d'étanchéité peut maintenant être retirée.
7. Le joint stationnaire en céramique peut être retiré à l'aide d'un goujon de 3/4 po.

MODE DE DÉMANTÈLEMENT (PUITS PEU PROFOND HR)

1. Débranchez l'alimentation et videz le réservoir sous pression avant de démonter la pompe.
2. Débranchez le tube du pressostat, retirez les quatre vis d'assemblage, et séparez la carcasse de la pompe de la plaque d'étanchéité.
3. Retirez les trois vis d'assemblage qui maintiennent le diffuseur sur la plaque d'étanchéité et retirez le diffuseur. Lors du remplacement du diffuseur, utilisez trois cales d'une épaisseur de 0,010 po également espacées entre l'œil de la impulseur et l'ouverture du diffuseur. Cela permet de centrer les diffuseurs et d'éviter le frottement de la impulseur (figure 25).
4. Sur les modèles de 1/2 HP, dévissez le tube de venturi de la impulseur. Sur les modèles de 3/4 et de 1 HP, le tube de venturi est vissé dans la carcasse de la pompe (Figure 26).

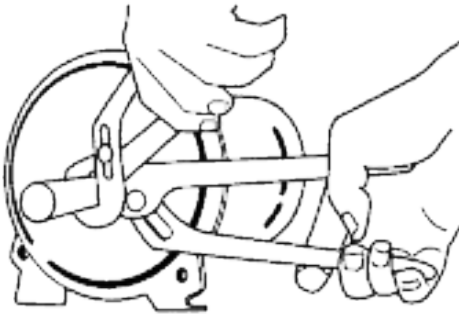


Figure 26 : Retirer le venturi

5. Retirez la impulseur en tenant l'arbre du moteur à l'aide d'un tournevis placé dans l'extrémité fendue de l'arbre et en faisant tourner la impulseur dans le sens inverse des aiguilles d'une montre.
6. La buse des modèles de 1/2 HP peut être retirée de la carcasse de la pompe à l'aide d'une clé à douille standard de 1 1/4 po munie d'une extension (figure 27). Sur les modèles de 3/4 et de 1 HP, la buse fait partie du corps de la pompe. Lors du remplacement de la buse et du venturi, assurez-vous qu'ils sont bien serrés contre l'épaulement. Faites attention de ne pas croiser les fils. Si la buse n'est pas complètement engagée dans la carcasse, le débit sera bloqué par l'entrée du venturi.

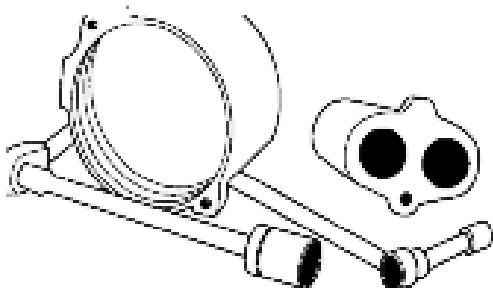


Figure 27 : Retirer la buse

1. Retirez l'assemblage rotatif du joint d'arbre.
2. La plaque d'étanchéité peut maintenant être retirée.
3. Retirez le joint stationnaire en céramique à l'aide d'un goujon de 3/4 po.

REPLACEMENT DE LA GARNITURE MÉCANIQUE

Avant de manipuler les pièces du joint de l'arbre, assurez-vous que vos mains sont propres. Remplacez toujours le joint stationnaire en céramique et l'ensemble rotatif.

4. Nettoyez l'arbre et la cavité de la garniture avec de l'eau.
5. Lubrifiez la cavité de la garniture et la coupelle en caoutchouc du joint stationnaire en céramique avec de l'eau savonneuse.
6. Enfoncez le siège fixe en céramique dans le boîtier. Enfoncez avec les doigts seulement.
7. Installez la plaque d'étanchéité sur le moteur. Veillez à ne pas rayer le joint en céramique.
8. Installez l'ensemble du joint rotatif sur l'arbre et la bague en carbone vers le siège en céramique, puis appuyez avec les doigts pour bien mettre en place. La face en carbone doit être lubrifiée avec de l'eau savonneuse.
9. Installez la impulseur. Serrez à l'aide d'un tournevis en tenant l'arbre.

Toutes les pièces de pompage de la pompe peuvent être retirées de la carcasse sans effet sur le fonctionnement de la tuyauterie du puits ou du réservoir.

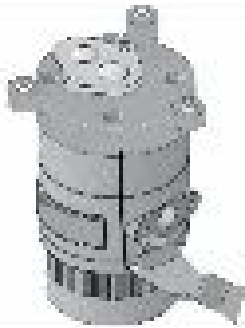


Figure 28



Figure 29

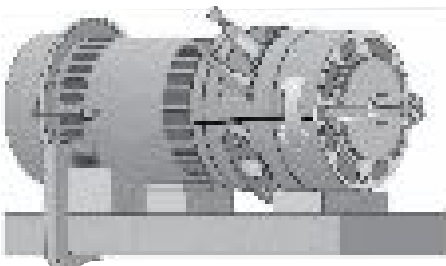


Figure 30

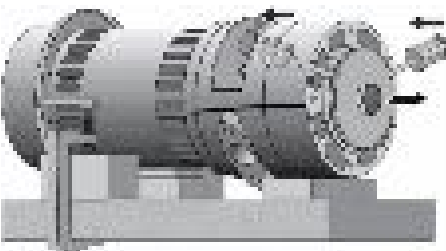


Figure 31

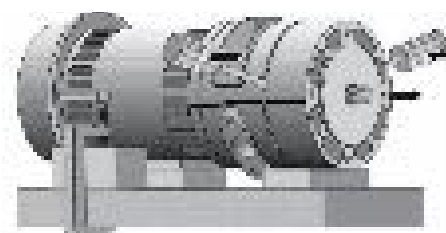


Figure 32

MODE DE DÉMANTÈLEMENT (PUITS PEU PROFOND HR)

1. Tirez sur le sectionneur. Débranchez les lignes électriques du pressostat.
2. Retirez les deux vis d'assemblage qui maintiennent la pompe sur l'adaptateur de bride. Ne dérangez pas la tuyauterie dans le puits.
3. Retirez le joint de l'adaptateur de bride et grattez les surfaces pour les nettoyer.
4. En laissant la tuyauterie en place, dévissez et retirez le raccord barbelé droit du pressostat.
5. Tracez une ligne sur le côté de la pompe avec un marqueur pour faciliter l'alignement lors du réassemblage. Marquez la pompe du moteur jusqu'à la volute de base (voir la figure 28).
6. Tournez la pompe à l'envers sur le banc et bloquez-la. Retirez les quatre vis d'assemblage de la base. À l'aide d'un maillet, tapez vers le haut sur la base pour la desserrer. Soulevez la base de la volute intermédiaire (voir la figure 29).
7. Pour réduire le risque de faire tomber la pompe sur votre pied, posez-la sur le banc; bloquez-la pour qu'elle ne roule pas.
8. Maintenez l'arbre du moteur à l'aide d'une pince ou d'une pince-étau à travers l'ouverture de l'adaptateur de la pompe. Dévissez l'écrou de l'impulseur à l'extrémité de l'arbre (voir la figure 30).
9. Les impulseurs sont clavetés sur l'arbre et ne se dévissent pas. Insérez deux tournevis sur les côtés opposés sous l'impulseur exposée et faites levier pour retirer l'impulseur (figure 31).
10. Insérez en tapotant délicatement un petit tournevis ou un burin à lame fine entre la volute intermédiaire et l'adaptateur de la pompe à deux ou trois endroits autour de la pompe pour séparer les pièces moulées (figure 32). N'abîmez pas les surfaces d'étanchéité; ne cassez pas de pièces sur l'adaptateur ou la volute, les pièces moulées s'endommagent facilement.
11. Retirez la volute intermédiaire et faites glisser la cale de la impulseur hors de l'arbre.
12. Retirez l'impulseur. Ne déplacez pas les clavettes de l'arbre si vous ne remplacez que le joint.
13. Faites tourner la coupelle de retenue du ressort d'étanchéité de manière à ce que la fente soit alignée avec les clavettes de l'arbre; retirez la coupelle et le ressort.
14. Retirez les deux vis d'assemblage qui maintiennent le support de l'adaptateur sur le moteur.
15. À l'aide de deux tournevis placés sur les côtés opposés de la pompe, écartez avec précaution l'adaptateur de la pompe du moteur. Cela va retirer le joint de l'arbre du moteur. Veillez à ce que le joint en céramique ne s'enfonce pas dans l'arbre et ne raye pas la surface d'étanchéité de l'arbre.

INSTALLATION D'UN NOUVEAU JOINT D'ÉTANCHÉITÉ

1. Nettoyez soigneusement toutes les surfaces des joints avant le remontage. Nettoyez la cavité de l'alésage du joint dans l'adaptateur de la pompe.
2. Humidifiez la bague de siège en caoutchouc avec de l'eau savonneuse et poussez la partie fixe du joint dans la cavité de l'alésage du joint. Utilisez un morceau de tuyau de 1 po pressé sur une rondelle en carton (pour éviter d'endommager la surface du joint) en guise de presse. Assurez-vous que la moitié du joint est entièrement logée dans la cavité de l'alésage du joint. Retirez le carton une fois que le joint est en place.

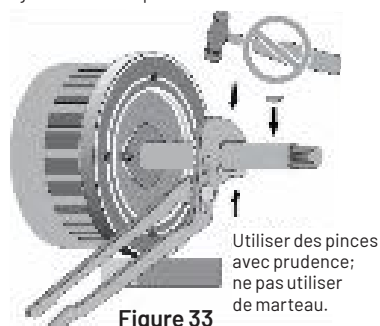


Figure 33

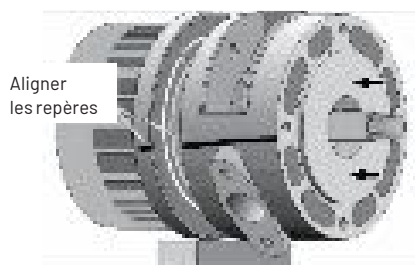


Figure 34

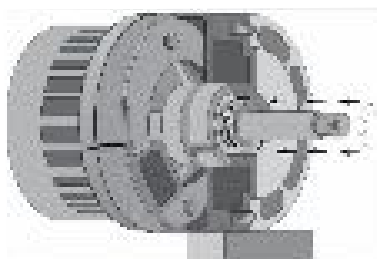


Figure 35

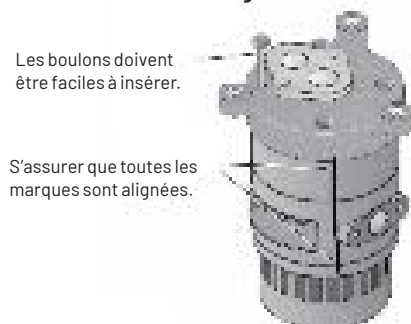


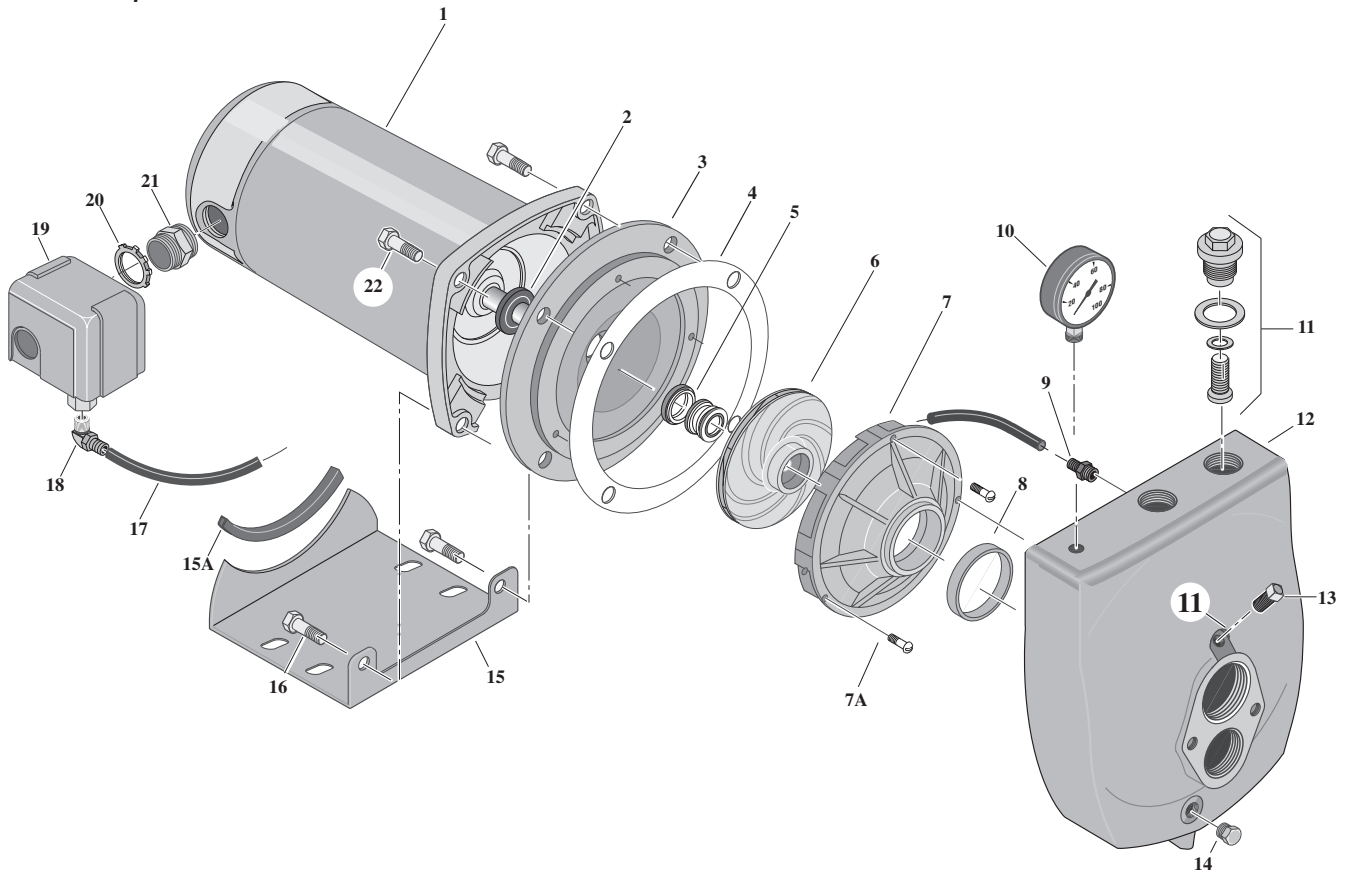
Figure 36

3. Assurez-vous que les clavettes de l'arbre sont en place sur l'arbre. Si ce n'est pas le cas, serrez-les en place maintenant avec des pinces à joints coulissants. Ne les tapez pas ou ne les frappez pas avec un marteau; vous pourriez plier l'arbre (voir la Figure 33). Lorsque les clavettes sont correctement installées, l'adaptateur passe sur les clavettes sans interférence.
4. Faites glisser avec précaution l'adaptateur sur l'arbre (voir la figure 34). N'endommagez pas la surface d'étanchéité de l'arbre; elle est très bien polie et la moindre rayure ou entaille l'endommagera.
5. En utilisant les marques d'alignement réalisées avant le démontage, alignez l'adaptateur avec le moteur et vissez l'adaptateur en place. Serrez les vis d'assemblage uniformément.
6. Poussez le joint d'arbre et le ressort de joint sur l'arbre, après vous être assuré que les faces du joint et l'arbre sont propres. Veillez à ce que l'arbre n'endommage pas la face du joint en carbone. Suivez le ressort du joint avec le porte-ressort; comprimez le ressort et faites tourner le porte-ressort d'un quart de tour pour le bloquer sous la première clavette de l'arbre (voir la figure 35).
7. Faites glisser la première impulseur sur l'arbre; ajoutez ensuite la cale d'espacement de la impulseur. Faites tourner la impulseur sur l'arbre pour vous assurer que la clavette de l'arbre est toujours en place et que la impulseur est verrouillée sur l'arbre (l'arbre doit tourner avec la impulseur).
8. Installez un nouveau joint de volute, en alignant les trous de boulons avec les trous de boulons de l'adaptateur. Veillez à ce que le joint soit à l'endroit afin que les trous de passage d'eau soient alignés avec les passages d'eau dans les volutes.
9. Installez la volute intermédiaire en l'alignant sur la marque tracée avant le démontage. Utilisez les longues vis d'assemblage pour vérifier cet alignement. On ne saurait trop insister sur le fait que tous les trous de boulons et les passages d'eau de tous les joints et volutes DOIVENT être alignés les uns avec les autres, sinon la pompe ne sera pas assemblée correctement.
10. Assurez-vous que la deuxième clavette d'arbre est en place et installez la deuxième impulseur. Faites tourner la impulseur pour vous assurer que la clavette de l'arbre est toujours en place. Maintenez l'arbre du moteur à l'aide d'une pince à joint coulissant ou d'une pince-étau et installez et serrez le contre-écrou de la impulseur. En serrant le contre-écrou, on obtient automatiquement le bon calage de la impulseur. Ne serrez pas trop fort.
11. Installez le joint de la volute de base. Veillez à ce que le joint soit à l'endroit afin que les trous de passage d'eau soient alignés avec les passages d'eau dans les volutes. Installez la volute de base en utilisant les marques d'alignement tracées avant le démontage. Assurez-vous que le refoulement de la pompe est aligné correctement avec la tuyauterie lorsque la pompe est réinstallée.
12. Insérez les quatre vis d'assemblage de la base et serrez-les uniformément (voir la figure 36). Elles devraient être faciles à installer si tout est bien aligné. Si ce n'est pas le cas, ne les forcez pas; repassez en revue votre travail pour trouver et corriger le désalignement.
13. Réinstallez le raccord barbelé du pressostat et le tube de pression.
14. Réinstallez la pompe sur la bride de l'adaptateur (utilisez un nouveau joint) et reconnectez le câblage et la mise à la terre. La pompe est maintenant prête à être utilisée.

PAGE LAISSÉE VIERGE INTENTIONNELLEMENT

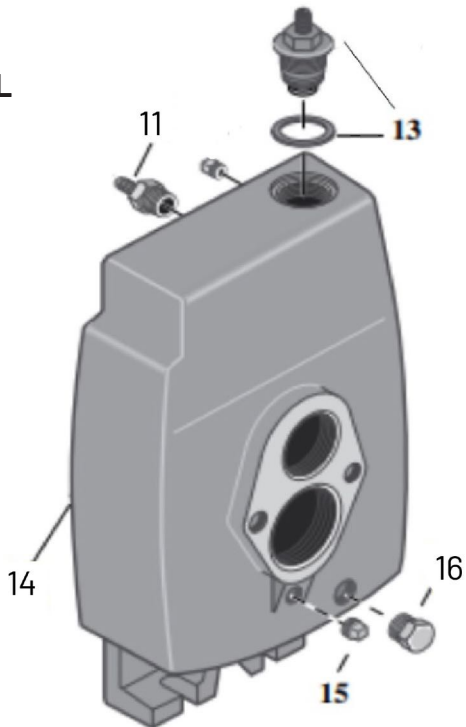
NOMENCLATURE DES PIÈCES

SÉRIES SL, HL



1623 0497

SÉRIE FL



NOMENCLATURE DES PIÈCES – SÉRIES SL, HL, FL

MODÈLES STA-RITE

NUMÉRO	DESCRIPTION DE LA PIÈCE	QTÉ	SLC-L	SLD-L	SLE-L	SLF-L	HLC-L
			1/2 HP	3/4 HP	1 HP	1 1/2 HP	1/2 HP
1	Moteur	1	J218-1651	J218-1652	J218-1653	J218-1655	J218-1652
2	Vis d'assemblage hexagonale - 3/8 po - 16 x 1 1/4 po de longueur	2	U30-75ZP	U30-75ZP	-	-	U30-75ZP
2	Vis d'assemblage hexagonale - 3/8 po - 16 x 1 1/2 po de longueur	2	-	-	U30-76ZP	U30-76ZP	-
3	Défecteur d'eau	1	17351-0009	17351-0009	17351-0009	17351-0009	17351-0009
4	Plaque d'étanchéité	1	N3-9	N3-9	L3-10	L3-10	N3-9
5	Joint de plaque d'étanchéité	1	N20-35N	N20-35N	C20-21N	C20-21N	N20-35N
6	Joint d'étanchéité de l'arbre	1	U109-6B	U109-6B	U109-6B	U109-6B	U109-6B
7	Impulseur	1	J105-40P	J105-86P	J105-85P	J105-22PA	J105-86P
8	Diffuseur	1	L1-25P	L1-25P	L1-47P	L1-23P	L1-25P
9	Vis du diffuseur	3	-	-	U30-489SS	U30-489SS	-
10	Joint d'étanchéité du diffuseur	1	L21-1	L21-1	L21-1	L21-1	L21-1
11	Raccord rapide - 1/4 po NPT	1	U11-217P	U11-217P	U11-217P	U11-217P	U11-217P
11	Raccord barbelé - Droit - 1/4 po NPT	1	-	-	-	-	-
12	Manomètre	1	-	-	-	-	PKG U239-2
13	Ensemble de la vanne de régulation	1	01322	01322	L262-5P	L262-5P	1322
14	Corps de la pompe	1	L76-48	L76-48	L76-49	L76-49	L76-48
15	Bouchon de tuyau - 1/8 po tête carrée	1	U78-56ZPS	U78-56ZPS	U78-56ZPS	U78-56ZPS	U78-56ZPS
16	Bouchon de tuyau - 1/4 po tête hexagonale	()	U78-941ZPV (2)	U78-941ZPV (2)	U78-941ZPV (2)	U78-941ZPV (2)	U78-941ZPV (1)
17	Base	1	J104-9F	J104-9F	J4-9C	J4-9C	J104-9F
18	Vis d'assemblage hexagonale - 3/8 po - 16 x 1 1/4 po de longueur	2	U30-75ZP	U30-75ZP	U30-75ZP	U30-75ZP	U30-75ZP
19	Coussinet en caoutchouc	1	C35-5S	C35-5S	C35-5S	C35-5S	C35-5S
20	Tube de 1/4 po de diamètre intérieur	1	U37-676P	U37-676P	U37-672P	U37-677P	U37-676P
21	Coude à raccord rapide - 1/4 po NPT	1	U11-218P	U11-218P	U11-218P	U11-218P	U11-218P
17	Raccord coudé barbelé - 90° - 1/4 po NPT	1	-	-	-	-	-
22	Pressostat	1	U217-1225	U217-1225	U217-1225	U217-1225	U217-1217
23	Contre-écrou - 1/2 po	1	U36-112ZP	U36-112ZP	U36-112ZP	U36-112ZP	U36-112ZP
24	Raccord	1	L43-5C	L43-5C	L43-5C	L43-5C	L43-5C
Trousse d'étanchéité (Comprend 3, 5, 6 et 10)			PP1551	PP1551	PP1551	PP1551	PP1551
Trousse de restauration (Comprend 3, 5, 6, 7, 8 et 10)			PP1560	PP1566	PP1566	PP1564	PP1566

NOMENCLATURE DES PIÈCES – SÉRIES SL, HL, FL

MODÈLES STA-RITE

NUMÉRO	DESCRIPTION DE LA PIÈCE	QTÉ	HLD-L	HLE-L	FLC-L	FSLCH-L	FLD-L	FSLDH-L
			3/4 HP	1 HP	1/2 HP	1/2 HP	3/4 HP	3/4 HP
1	Moteur	1	J218-1653	J218-1655	J218-1651-115	J218-1651	J218-1652	J218-1652
2	Vis d'assemblage hexagonale – 3/8 po – 16 x 11/4 po de longueur	2	-	-	U30-75ZP	U30-75ZP	U30-75ZP	U30-75ZP
2	Vis d'assemblage hexagonale – 3/8 po – 16 x 11/2 po de longueur	2	U30-76ZP	U30-76ZP	-	-	-	-
3	Déflexeur d'eau	1	17351-0009	17351-0009	17351-0009	17351-0009	17351-0009	17351-0009
4	Plaque d'étanchéité	1	L3-10	L3-10	N3-9	N3-9	N3-9	N3-9
5	Joint de plaque d'étanchéité	1	C20-21N	C20-21N	N20-35N	N20-35N	N20-35N	N20-35N
6	Joint d'étanchéité de l'arbre	1	U109-6B	U109-6B	U109-6B	U109-6B	U109-6B	U109-6B
7	Impulseur	1	J105-85P	J105-22PA	J105-40P	J105-40P	J105-86P	J105-42P
8	Diffuseur	1	L1-47P	L1-23P	L1-25P	L1-25P	L1-25P	L1-25P
9	Vis du diffuseur	3	U30-489SS	U30-489SS	-	-	-	-
10	Joint d'étanchéité du diffuseur	1	L21-1	L21-1	L21-1	L21-1	L21-1	N20-34
11	Raccord rapide – 1/4 po NPT	1	U11-217P	U11-217P	-	-	-	-
11	Raccord barbelé – Droit – 1/4 po NPT	1	-	-	U111-211T	U111-211T	U111-211T	U111-211T
12	Manomètre	1	PKG U239-2	PKG U239-2	-	-	-	-
13	Ensemble de la vanne de régulation	1	L262-5P	L262-5P	01322	01322	01322	
14	Corps de la pompe	1	L76-49	L76-49	L76-44	L76-44	L76-44	N176-38F
15	Bouchon de tuyau – 1/8 po tête carrée	1	U78-56ZPS	U78-56ZPS	U78-56ZPS	U78-56ZPS	U78-56ZPS	
16	Bouchon de tuyau – 1/4 po tête hexagonale	()	U78-941ZPV (1)	U78-941ZPV (1)	U78-941ZPV (1)	U78-941ZPV (1)	U78-941ZPV (1)	U78-941ZPV (4)
17	Base	1	J4-9C	J4-9C	-	-	-	-
18	Vis d'assemblage hexagonale – 3/8 po – 16 x 11/4 po de longueur	2	U30-75ZP	U30-75ZP	U30-75ZP	U30-75ZP	U30-75ZP	-
19	Coussinet en caoutchouc	1	C35-5S	C35-5S	-	-	-	-
20	Tube de 1/4 po de diamètre intérieur	1	U37-672P	U37-677P	U37-672P	U37-676P	U37-672P	U37-676P
21	Coude à raccord rapide – 1/4 po NPT	1	U11-218P	U11-218P	-	-	-	-
17	Raccord coudé barbelé – 90° – 1/4 po NPT	1	-	-	U111-212T	-	U111-212T	-
22	Pressostat	1	U217-1217	U217-1217	U217-1217	U217-1202	U217-1217	U217-1202
23	Contre-écrou – 1/2 po	1	U36-112ZP	U36-112ZP	U36-112ZP	U36-112ZP	U36-112ZP	U36-112ZP
24	Raccord	1	L43-5C	L43-5C	L43-5C	L43-5C	L43-5C	L43-5C
Trousse d'étanchéité (Comprend 3, 5, 6 et 10)			PP1551	PP1551	PP1550	PP1550	PP1550	PP1550
Trousse de restauration (Comprend 3, 5, 6, 7, 8 et 10)			PP1566	PP1564	PP1560	PP1560	PP1566	PP1566

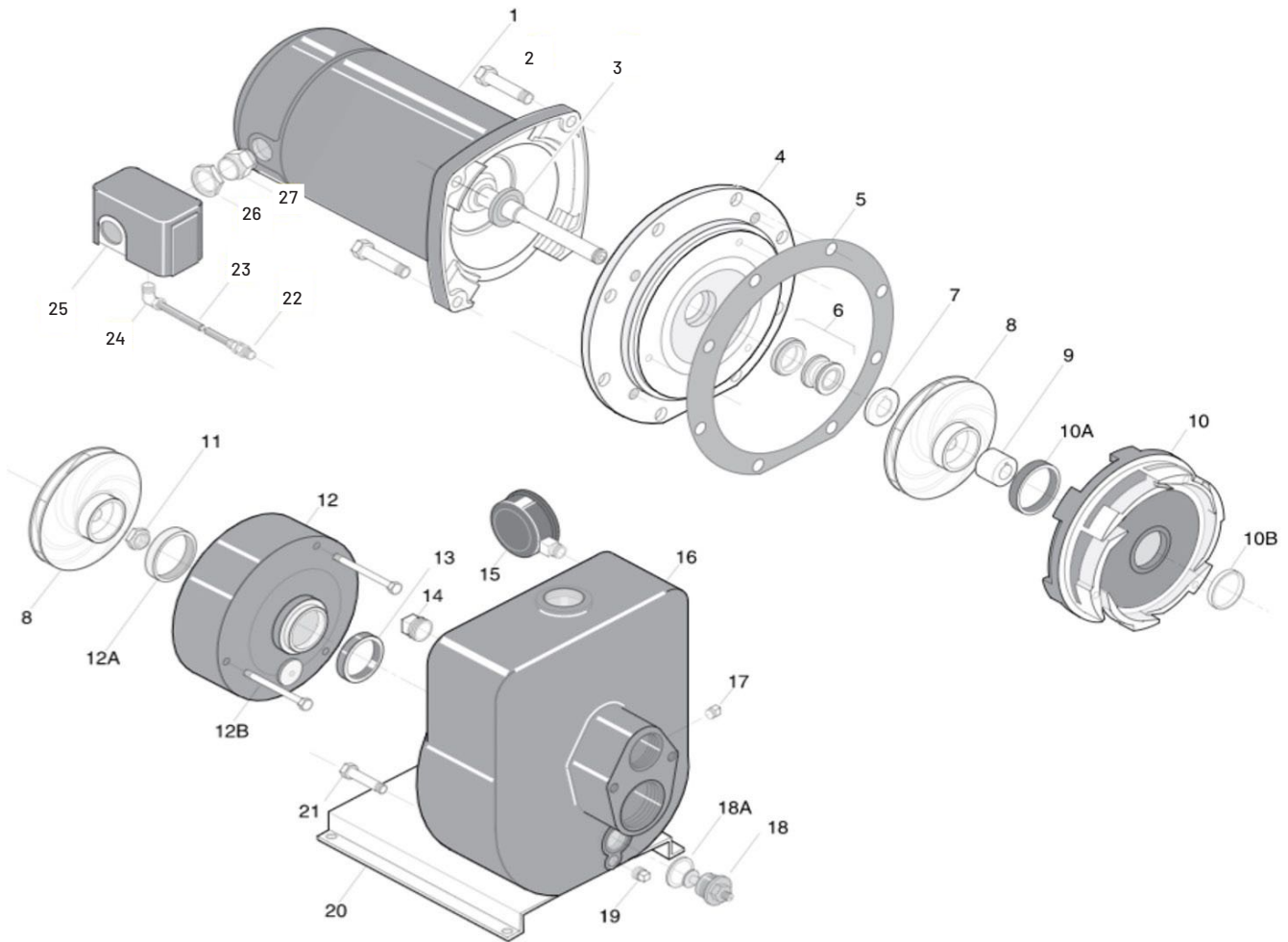
NOMENCLATURE DES PIÈCES – SÉRIES SL, HL, FL

MODÈLES BERKELEY

NUMÉRO	DESCRIPTION DE LA PIÈCE	QTÉ	5SL	7SL	10SL	15SL	5HL	7HL	10HL
			1/2 HP	3/4 HP	1 HP	1 1/2 HP	1/2 HP	3/4 HP	1 HP
1	Moteur	1	J218-1651	J218-1652	J218-1653	J218-1655	J218-1652	J218-1653	J218-1655
2	Vis d'assemblage hexagonale - 3/8 po - 16 x 1 1/4 po de longueur	2	U30-75ZP	U30-75ZP	-	-	U30-75ZP	-	-
2	Vis d'assemblage hexagonale - 3/8 po - 16 x 1 1/2 po de longueur	2	-	-	U30-76ZP	U30-76ZP	-	U30-76ZP	U30-76ZP
3	Défecteur d'eau	1	17351-0009	17351-0009	17351-0009	17351-0009	17351-0009	17351-0009	17351-0009
4	Plaque d'étanchéité	1	N3-9	N3-9	L3-10	L3-10	N3-9	L3-10	L3-10
5	Joint de plaque d'étanchéité	1	N20-35N	N20-35N	C20-21N	C20-21N	N20-35N	C20-21N	C20-21N
6	Joint d'étanchéité de l'arbre	1	U109-6B	U109-6B	U109-6B	U109-6B	U109-6B	U109-6B	U109-6B
7	Impulseur	1	J105-40P	J105-86P	J105-85P	J105-22PA	J105-86P	J105-85P	J105-22PA
8	Diffuseur	1	L1-25P	L1-25P	L1-47P	L1-23P	L1-25P	L1-47P	L1-23P
9	Vis du diffuseur	3	-	-	U30-489SS	U30-489SS	-	U30-489SS	U30-489SS
10	Joint d'étanchéité du diffuseur	1	L21-1	L21-1	L21-1	L21-1	L21-1	L21-1	L21-1
11	Raccord rapide - 1/4 po NPT	1	U11-217P	U11-217P	U11-217P	U11-217P	U11-217P	U11-217P	U11-217P
11	Raccord barbelé - Droit - 1/4 po NPT	1	-	-	-	-	-	-	-
12	Manomètre	1	-	-	-	-	PKG U239-2	PKG U239-2	PKG U239-2
13	Ensemble de la vanne de régulation	1	01322	01322	L262-5P	L262-5P	1322	L262-5P	L262-5P
14	Corps de la pompe	1	L76-48A	L76-48A	L76-49A	L76-49A	L76-48A	L76-49A	L76-49A
15	Bouchon de tuyau - 1/8 po tête carrée	1	U78-56ZPS	U78-56ZPS	U78-56ZPS	U78-56ZPS	U78-56ZPS	U78-56ZPS	U78-56ZPS
16	Bouchon de tuyau - 1/4 po tête hexagonale	()	U78-941ZPV (2)	U78-941ZPV (2)	U78-941ZPV (2)	U78-941ZPV (2)	U78-941ZPV (1)	U78-941ZPV (1)	U78-941ZPV (1)
17	Base	1	J104-9F	J104-9F	J4-9C	J4-9C	J104-9F	J4-9C	J4-9C
18	Vis d'assemblage hexagonale - 3/8 po - 16 x 1 1/4 po de longueur	2	U30-75ZP	U30-75ZP	U30-75ZP	U30-75ZP	U30-75ZP	U30-75ZP	U30-75ZP
19	Coussinet en caoutchouc	1	C35-5S	C35-5S	C35-5S	C35-5S	C35-5S	C35-5S	C35-5S
20	Tube de 1/4 po de diamètre intérieur	1	U37-676P	U37-676P	U37-672P	U37-677P	U37-672P	U37-672P	U37-677P
21	Coude à raccord rapide - 1/4 po NPT	1	U11-218P	U11-218P	U11-218P	U11-218P	U11-218P	U11-218P	U11-218P
17	Raccord coudé barbelé - 90° - 1/4 po NPT	1	-	-	-	-	-	-	-
22	Pressostat	1	U217-1225	U217-1225	U217-1225	U217-1225	U217-1217	U217-1217	U217-1217
23	Contre-écrou - 1/2 po	1	U36-112ZP	U36-112ZP	U36-112ZP	U36-112ZP	U36-112ZP	U36-112ZP	U36-112ZP
24	Raccord	1	L43-5C	L43-5C	L43-5C	L43-5C	L43-5C	L43-5C	L43-5C
Trousse d'étanchéité (Comprend 3, 5, 6 et 10)			PP1551	PP1551	PP1551	PP1551	PP1551	PP1551	PP1551
Trousse de restauration (Comprend 3, 5, 6, 7, 8 et 10)			PP1560	PP1566	PP1566	PP1564	PP1566	PP1566	PP1564

NOMENCLATURE DES PIÈCES

SÉRIE HMS/LT2



NOMENCLATURE DES PIÈCES – SÉRIES HMS, LT2

MODÈLES STA-RITE

NUMÉRO	DESCRIPTION DE LA PIÈCE	QTÉ	HMSD-1FL	HMSE-1FL	HMSF-1FL
			3/4 HP	1 HP	1 1/2 HP
1	Moteur	1	A700DH	A700EH	A700FH
2	Vis d'assemblage hexagonale - 3/8 po - 16 x 1 po de longueur	4	U30-74ZP	U30-74ZP	U30-74ZP
3	Déflexeur d'eau	1	17351-0009	17351-0009	17351-0009
4	Plaque d'étanchéité	1	L3-26	L3-26	L3-26
5	Joint de plaque d'étanchéité	1	L20-43N	C20-21N	C20-21N
6	Joint d'étanchéité de l'arbre	1	U109-267	U109-267	U109-267
7	Rondelle du support de ressort	1	J24-11	J24-11	J24-11
8	Impulseur	2	L105-2PC	L105-2PB	L105-2P
9	Entretoise de la impulseur	1	J43-23	J43-23	J43-23
10	Assemblage de diffuseurs avec bagues d'usure	1	L101-45	L101-45	L101-45
10A	Collerette d'étanchéité	1	L23-9	L23-9	L23-9
10B	Collerette d'étanchéité	1	P23-19	P23-19	P23-19
11	Écrou d'arrêt - Arbre	1	U36-175SSW	U36-175SSW	U36-175SSW
12	Couvercle de diffuseur avec bague d'usure et vis	1	L103-27	L103-27	L103-27
12A	Collerette d'étanchéité	1	L23-9	L23-9	L23-9
12B	Vis de diffuseur - 1/4 po - 20 x 3 po de longueur	3	U30-528SS	U30-528SS	U30-528SS
13	Joint torique de diffuseur	1	L21-1	L21-1	L21-1
14	Bouchon de tuyau, 1/2 po NPT	1	S23717	S23717	S23717
15	Manomètre	1	U239-8	U239-8	U239-8
16	Corps de la pompe	1	L76-36	L76-36	L76-36
17	Bouchon de tuyau, 1/8 po NPT	1	U78-56ZPS	U78-56ZPS	U78-56ZPS
18	Ensemble de la vanne de régulation	1	01322	01322	01322
18A	Joint d'étanchéité de vanne de régulation	1	L20-39	L20-39	L20-39
19	Bouchon de tuyau - 1/4 po tête hexagonale	1	U78-941ZPV	U78-941ZPV	U78-941ZPV
20	Base	1	U4-5	U4-5	U4-5
*	Rondelle d'arrêt, 3/8 po	4	U43-12ZP	U43-12ZP	U43-12ZP
*	Vis d'assemblage hexagonale - 3/8 po - 16 x 3/4 po de longueur	2	U30-72ZP	U30-72ZP	U30-72ZP
21	Vis d'assemblage hexagonale - 3/8 po - 16 x 7/8 po de longueur	8	U30-73ZP	U30-73ZP	U30-73ZP
22	Raccord à compression, 1/8 po NPT	1	U111-100T	U111-100T	U111-100T
23	Tube de 1/4 po de diamètre intérieur	1	U37-677P	U37-677P	U37-677P
24	Raccord coudé barbelé - 90° - 1/4 po NPT	1	U111-212T	U111-212T	U111-212T
25	Pressostat	1	U217-1217	U217-1217	U217-1217
26	Contre-écrou - 1/2 po	1	U36-112ZP	U36-112ZP	U36-112ZP
27	Raccord	1	L43-5C	L43-5C	L43-5C
Trousse d'étanchéité (Comprend 3, 5, 6, 7 et 13)			PP1625	PP1625	PP1625
Trousse de restauration (Comprend 3, 5, 6, 7, 8, 10A, 10B, 11, 12A et 13)			-	PP1632	PP1633

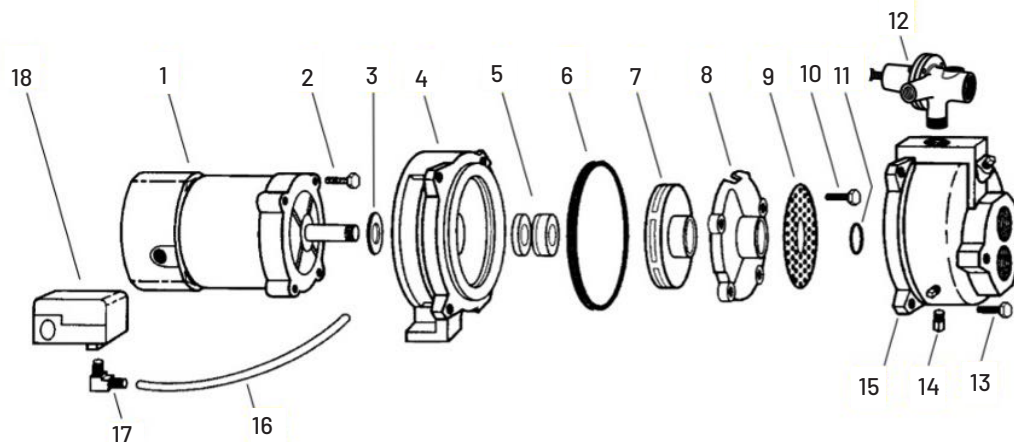
NOMENCLATURE DES PIÈCES – SÉRIES HMS, LT2

MODÈLES BERKELEY

NUMÉRO	DESCRIPTION DE LA PIÈCE	QTÉ	7LT2	10LT2	15LT2
			3/4 HP	1 HP	1 1/2 HP
1	Moteur	1	A700DH	A700EH	A700FH
2	Vis d'assemblage hexagonale – 3/8 po – 16 x 1 po de longueur	4	U30-74ZP	U30-74ZP	U30-74ZP
3	Défecteur d'eau	1	17351-0009	17351-0009	17351-0009
4	Plaque d'étanchéité	1	L3-26	L3-26	L3-26
5	Joint de plaque d'étanchéité	1	L20-43N	C20-21N	C20-21N
6	Joint d'étanchéité de l'arbre	1	U109-267	U109-267	U109-267
7	Rondelle du support de ressort	1	J24-11	J24-11	J24-11
8	Impulseur	2	L105-2PC	L105-2PB	L105-2P
9	Entretoise de la impulseur	1	J43-23	J43-23	J43-23
10	Assemblage de diffuseurs avec bagues d'usure	1	L101-45	L101-45	L101-45
10A	Collerette d'étanchéité	1	L23-9	L23-9	L23-9
10B	Collerette d'étanchéité	1	P23-19	P23-19	P23-19
11	Écrou d'arrêt – Arbre	1	U36-175SSW	U36-175SSW	U36-175SSW
12	Couvercle de diffuseur avec bague d'usure et vis	1	L103-27	L103-27	L103-27
12A	Collerette d'étanchéité	1	L23-9	L23-9	L23-9
12B	Vis de diffuseur – 1/4 po – 20 x 3 po de longueur	3	U30-528SS	U30-528SS	U30-528SS
13	Joint torique de diffuseur	1	L21-1	L21-1	L21-1
14	Bouchon de tuyau, 1/2 po NPT	1	S23717	S23717	S23717
15	Manomètre	1	U239-8	U239-8	U239-8
16	Corps de la pompe	1	L76-36	L76-36	L76-36
17	Bouchon de tuyau, 1/8 po NPT	1	U78-56ZPS	U78-56ZPS	U78-56ZPS
18	Ensemble de la vanne de régulation	1	01322	01322	01322
18A	Joint d'étanchéité de vanne de régulation	1	L20-39	L20-39	L20-39
19	Bouchon de tuyau – 1/4 po tête hexagonale	1	U78-941ZPV	U78-941ZPV	U78-941ZPV
20	Base	1	U4-5	U4-5	U4-5
*	Rondelle d'arrêt, 3/8 po	4	U43-12ZP	U43-12ZP	U43-12ZP
*	Vis d'assemblage hexagonale – 3/8 po – 16 x 3/4 po de longueur	2	U30-72ZP	U30-72ZP	U30-72ZP
21	Vis d'assemblage hexagonale – 3/8 po – 16 x 7/8 po de longueur	8	U30-73ZP	U30-73ZP	U30-73ZP
22	Raccord à compression, 1/8 po NPT	1	U111-100T	U111-100T	U111-100T
23	Tube de 1/4 po de diamètre intérieur	1	U37-677P	U37-677P	U37-677P
24	Raccord soudé barbelé – 90 ° – 1/4 po NPT	1	U111-212T	U111-212T	U111-212T
25	Pressostat	1	U217-1217	U217-1217	U217-1219
26	Contre-écrou – 1/2 po	1	U36-112ZP	U36-112ZP	U36-112ZP
27	Raccord	1	L43-5C	L43-5C	L43-5C
Trousse d'étanchéité (Comprend 3, 5, 6, 7 et 13)			PP1625	PP1625	PP1625
Trousse de restauration (Comprend 3, 5, 6, 7, 8, 10A, 10B, 11, 12A et 13)			-	PP1632	PP1633

NOMENCLATURE DES PIÈCES

SÉRIES HR, HJ



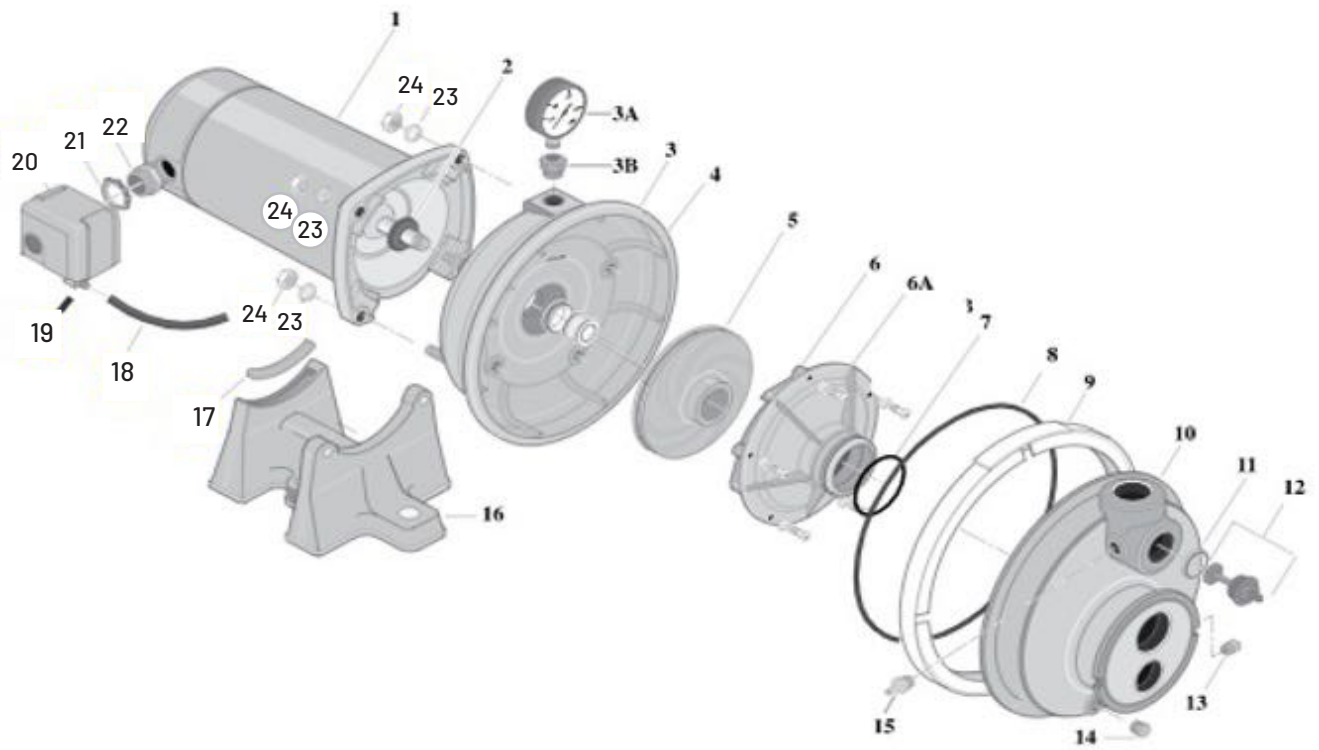
MODÈLES STA-RITE

NUMÉRO	DESCRIPTION DE LA PIÈCE	QTÉ	HR50D	HJ50D	HJ75D	HJ100D
			1/2 HP	1/2 HP	3/4 HP	1HP
1	Moteur	1	J218-1652-115	20924A000K	20934A000K	20935A000K
2	Vis à tête hexagonale – 3/8 po – 16 x 7/8 po de longueur	4	-	U30-73ZP	U30-73ZP	U30-73ZP
2	Vis à tête hexagonale – 3/8 po – 16 x 1 1/2 po de longueur	4	U30-76SS	-	-	-
3	Défecteur d'eau	1	17351-0009	-	-	-
4	Support	1	-	20936D101W	20937D101W	20937D101W
*	Plaque d'étanchéité	1	24452C100W	-	-	-
5	Joint d'étanchéité de l'arbre	1	14525A000K	14525A000K	14525A000K	14525A000K
6	Joint de plaque d'étanchéité	1	05014A157	05014A157	05014A158	05014A158
7	Impulseur – plastique	1	16622B015	16622B010	19195B004	19196B004
7	Impulseur – Laiton		-	17682B003K	19195B000K	19195B000K
8	Diffuseur	1	12371B000	12371B000	14379B000	14380B000
9	Grille	1	13069B000	13069B000	-	-
10	Vis du diffuseur	3	U30-53SS	U30-53SS	U30-53SS	19099A023
11	Joint torique de diffuseur	1	05876A003	05876A003	05876A087	05876A087
12	Soupape de régulation	1	15285A033	15285A014	15285A023	15285A023
13	Vis à tête hexagonale – 3/8 po – 16 x 1 1/4 po de longueur	5	-	U30-75ZP	-	-
13	Vis à tête hexagonale – 3/8 po – 16 x 1 1/2 po de longueur	4	-	-	19102A012	19102A012
14	Bouchon de tuyau – 1/4 po tête hexagonale	3	U78-941ZPV	U78-941ZPV	U78-941ZPV	U78-941ZPV
15	Corps de la pompe	1	24358D110W	18623D101W	19198D100W	19198D100W
*	Base	1	25383B002	-	-	-
16	Tube de 1/4 po de diamètre intérieur	1	U37-671P	U37-671P	U37-671P	U37-671P
17	Raccord coudé barbelé – 90° – 1/4 po NPT	2	U111-212T	U111-212T	U111-212T	U111-212T
18	Pressostat	1	U217-1218	U217-1218	U217-1218	U217-1218
*	Contre-écrou – 1/2 po	1	U36-112ZP	U36-112ZP	U36-112ZP	U36-112ZP
*	Raccord	1	L43-5C	L43-5C	L43-5C	L43-5C
Trousse de restauration (Comprend 4, 5, 6, 7 et 8)			PK50	PK50	PK75	PK100

* Non illustré

NOMENCLATURE DES PIÈCES

SÉRIE PL



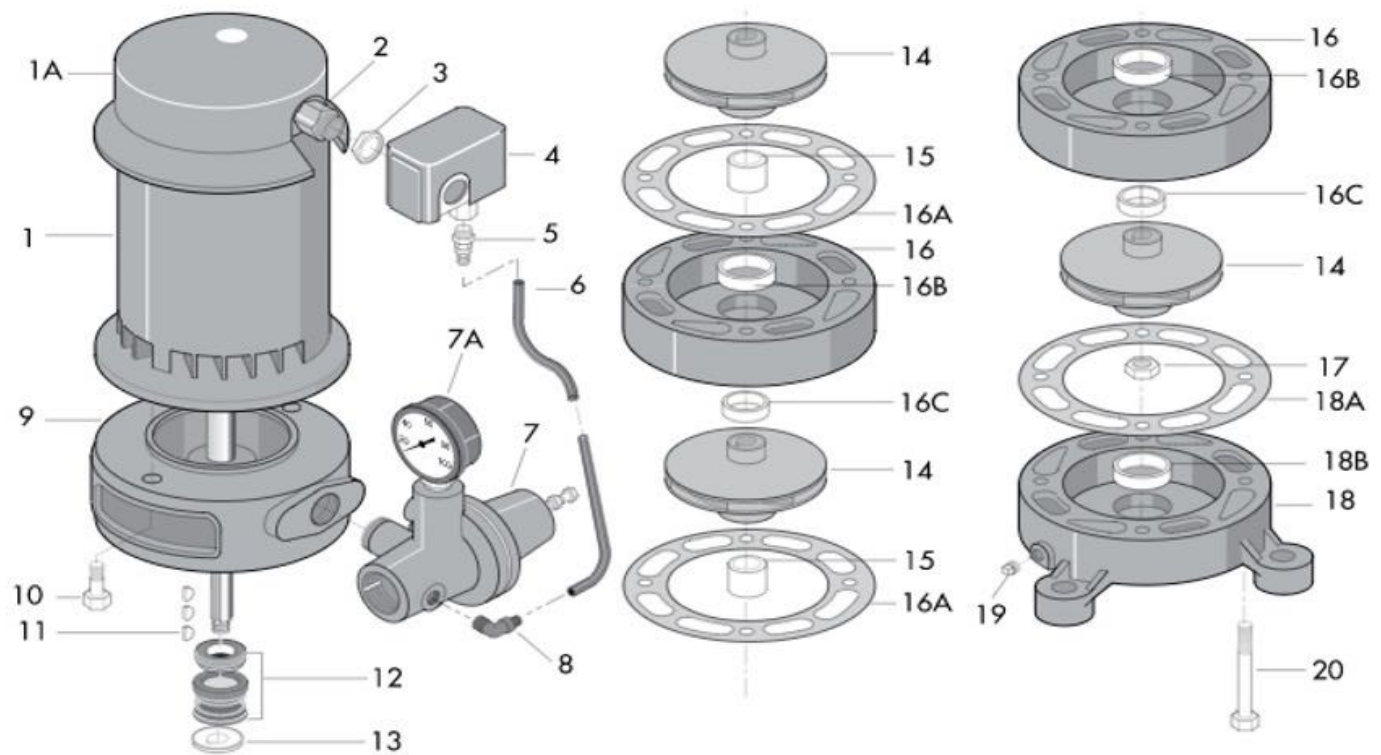
NOMENCLATURE DES PIÈCES – SÉRIE PL

SÉRIE PL

NUMÉRO	DESCRIPTION DE LA PIÈCE	QTE	PLC-2L	PLD-2L	PLE-2L	PLF-2L
			1/2 HP	3/4 HP	1HP	11/2 HP
1	Moteur	1	J218-1651	J218-1652	J218-1653	J218-1655
2	Défecteur d'eau	1	17351-0009	17351-0009	17351-0009	17351-0009
3	Plaque d'étanchéité	1	L176-47P	L176-47P	L176-47P	L176-47P
3A	Manomètre	1	U239-3	U239-3	U239-3	U239-3
3B	Réducteur, NPT 1/2 po x 1/8 po	1	U78-107PT	U78-107PT	U78-107PT	U78-107PT
4	Joint d'étanchéité de l'arbre	1	U109-6B	U109-6B	U109-6B	U109-6B
5	Impulseur	1	J105-40PE	J105-42PT	J105-8PAN	J105-22PA
6	Diffuseur	1	J1-39P	J1-39P	J1-40P	J1-40PA
6A	Vis du diffuseur	5	U39-996SS	U39-996SS	U39-996SS	U39-996SS
7	Joint torique de diffuseur	1	U9-199	U9-199	U9-199	U9-199
8	Joint torique du raccord en V	1	U9-399	U9-399	U9-399	U9-399
9	Ensemble du raccord en V	1	C19-54SS	C19-54SS	C19-54SS	C19-54SS
10	Corps de la pompe	1	L76-37P	L76-37P	L76-37P	L76-37P
11	Joint d'étanchéité	1	L20-40	L20-40	L20-40	L20-40
12	Soupape de régulation	1	J198-20	J198-20	J198-20	J198-20
13	Bouchon de tuyau - 1/8 po	1	WC78-41T	WC78-41T	WC78-41T	WC78-41T
14	Bouchon de tuyau - 1/4 po tête hexagonale	1	U78-941ZPV	U78-941ZPV	U78-941ZPV	U78-941ZPV
15	Raccord barbelé - Droit - 1/4 po NPT	1	U111-211T	U111-211T	U111-211T	U111-211T
16	Base	1	C4-42P	C4-42P	C4-42P	C4-42P
17	Coussinet en caoutchouc	1	C35-11	C35-11	C35-11	C35-11
18	Tube de 1/4 po de diamètre intérieur	1	U37-671P	U37-671P	U37-671P	U37-671P
19	Raccord coudé barbelé - 90° - 1/4 po NPT	1	U111-212T	U111-212T	U111-212T	U111-212T
20	Pressostat	1	U217-1217	U217-1217	U217-1217	U217-1217
21	Contre-écrou - 1/2 po	1	U36-112ZP	U36-112ZP	U36-112ZP	U36-112ZP
22	Raccord	1	L43-5C	L43-5C	L43-5C	L43-5C
23	Écrou à tête hexagonale, 5/16 po, 18	4	U36-37ZP	U36-37ZP	U36-37ZP	U36-37ZP
24	Rondelle, 5/16 po	2	U43-61ZP	U43-61ZP	U43-61ZP	U43-61ZP
Trousse d'étanchéité (Comprend 2, 4, 7, 8 et 11)			PP1500	PP1500	PP1500	PP1500
Trousse de restauration (Comprend 2, 4, 5, 6, 6A, 7, 8, 9 et 11)			PP1511	PP1512	PP1513	PP1514

NOMENCLATURE DES PIÈCES

SÉRIES MS/MVPH



NOMENCLATURE DES PIÈCES – SÉRIES MS, MVPH

MODÈLES STA-RITE

NUMÉRO	DESCRIPTION DE LA PIÈCE	QTÉ	MSD-7	MSE-7	MSF-7	MSG-7
			3/4 HP	1 HP	1 1/2 HP	2 HP
1	Moteur	1	A300DH	J218-1654	A300FH	AE300GH
1a	Capot de moteur	1	-	-	-	-
2	Raccord	1	J43-13C	J43-13C	J43-13C	J43-13C
3	Contre-écrou - 1/2 po	1	U36-112ZP	U36-112ZP	U36-112ZP	U36-112ZP
4	Pressostat	1	U217-1217	U217-1217	U217-204E	U217-204E
5	Raccord barbelé - Droit - 1/4 po NPT	1	U111-211T	U111-211T	U111-211T	U111-211T
6	Tube de 1/4 po de diamètre intérieur	1	U37-672P	U37-672P	U37-672P	U37-672P
7	Ensemble du régulateur de pression	1	J212-24E	J212-24E	J212-24E	J212-24E
7A	Manomètre	1	U239-3	U239-3	U239-8	U239-8
8	Raccord coudé barbelé - 90° - 1/4 po NPT	1	U111-212T	U111-212T	U111-212T	U111-212T
9	Adaptateur	1	L2-16A	L2-16A	L2-16A	L2-16A
10	Vis d'assemblage hexagonale - 3/8 po - 16 x 1 1/4 po de longueur	2	U30-75ZP	U30-75ZP	U30-75ZP	U30-75ZP
11	Clavette d'arbre	()	U65-15SS (2)	U65-15SS (2)	U65-15SS (3)	U65-15SS (3)
12	Joint d'étanchéité de l'arbre	1	17351-0101A	17351-0101A	17351-0101A	17351-0101A
13	Rondelle du support de ressort	1	J24-11	J24-11	J24-11	J24-11
14	Impulseur	()	J105-75P (2)	J105-76P (2)	J105-74PA (3)	J105-74P (3)
15	Entretoise de la impulseur	()	J43-23 (1)	J43-23 (1)	J43-23 (2)	J43-23 (2)
16	Volute intermédiaire avec joint d'étanchéité et bagues d'usure	()	J101-26 (1)	J101-26 (1)	J101-26 (2)	J101-26 (2)
16A	Joint d'étanchéité de la volute intermédiaire	()	J20-11N (1)	J20-11N (1)	J20-11N (2)	J20-11N (2)
16B	Bague d'usure de la volute intermédiaire	1	J23-10	J23-10	J23-10	J23-10
16C	Bague d'usure de la volute intermédiaire	1	J23-11	J23-11	J23-11	J23-11
17	Écrou d'arrêt - Arbre	1	U36-175SSW	U36-175SSW	U36-175SSW	U36-175SSW
18	Volute intermédiaire avec joint d'étanchéité et bague d'usure	1	J101-33	J101-33	J101-33	J101-33
18A	Joint d'étanchéité de la volute de base	1	J20-11N	J20-11N	J20-11N	J20-11N
18B	Bague d'usure de la volute de base	1	J23-10	J23-10	J23-10	J23-10
19	Bouchon de tuyau - 1/4 po tête hexagonale	1	U78-941ZPV	U78-941ZPV	U78-941ZPV	U78-941ZPV
20	Vis d'assemblage hexagonale - 3/8 po - 16 x 4 1/2 po de longueur	4	U30-1030ZP	U30-1030ZP	-	-
20	Vis d'assemblage hexagonale - 3/8 po - 16 x 6 po de longueur	4	-	-	U30-81ZP	U30-81ZP
Trousse d'étanchéité (Comprend 11, 12, 13, 16A, 18A)			PP1650	PP1650	PP1650	PP1650
Trousse de impulseur et de joints d'étanchéité (Comprend 11, 12, 13, 14, 16A, 16B, 18A et 18B)			PP1656	PP1657	PP1658	PP1659

NOMENCLATURE DES PIÈCES – SÉRIES MS, MVPH

MODÈLES BERKELEY

NUMÉRO	DESCRIPTION DE LA PIÈCE	QTÉ	10MS	15MS	20MS
			1 HP	1 1/2 HP	2 HP
1	Moteur	1	J218-1654	A300FH	AE300GH
1a	Capot de moteur	1	-	-	-
2	Raccord	1	J43-13C	J43-13C	J43-13C
3	Contre-écrou - 1/2 po	1	U36-112ZP	U36-112ZP	U36-112ZP
4	Pressostat	1	U217-1217	U217-204E	U217-204E
5	Raccord barbelé - Droit - 1/4 po NPT	1	U111-211T	U111-211T	U111-211T
6	Tube de 1/4 po de diamètre intérieur	1	U37-672P	U37-672P	U37-672P
7	Ensemble du régulateur de pression	1	J212-24E	J212-24E	J212-24E
7A	Manomètre	1	U239-3	U239-8	U239-8
8	Raccord coudé barbelé - 90 ° - 1/4 po NPT	1	U111-212T	U111-212T	U111-212T
9	Adaptateur	1	L2-16A	L2-16A	L2-16A
10	Vis d'assemblage hexagonale - 3/8 po - 16 x 1 1/4 po de longueur	2	U30-75ZP	U30-75ZP	U30-75ZP
11	Clavette d'arbre	()	U65-15SS (2)	U65-15SS (3)	U65-15SS (3)
12	Joint d'étanchéité de l'arbre	1	17351-0101A	17351-0101A	17351-0101A
13	Rondelle du support de ressort	1	J24-11	J24-11	J24-11
14	Impulseur	()	J105-76P (2)	J105-74PA (3)	J105-74P (3)
15	Entretoise de la impulseur	()	J43-23 (1)	J43-23 (2)	J43-23 (2)
16	Volute intermédiaire avec joint d'étanchéité et bagues d'usure	()	J101-26 (1)	J101-26 (2)	J101-26 (2)
16A	Joint d'étanchéité de la volute intermédiaire	()	J20-11N (1)	J20-11N (2)	J20-11N (2)
16B	Bague d'usure de la volute intermédiaire	1	J23-10	J23-10	J23-10
16C	Bague d'usure de la volute intermédiaire	1	J23-11	J23-11	J23-11
17	Écrou d'arrêt - Arbre	1	U36-175SSW	U36-175SSW	U36-175SSW
18	Volute intermédiaire avec joint d'étanchéité et bague d'usure	1	J101-33	J101-33	J101-33
18A	Joint d'étanchéité de la volute de base	1	J20-11N	J20-11N	J20-11N
18B	Bague d'usure de la volute de base	1	J23-10	J23-10	J23-10
19	Bouchon de tuyau - 1/4 po tête hexagonale	1	U78-941ZPV	U78-941ZPV	U78-941ZPV
20	Vis d'assemblage hexagonale - 3/8 po - 16 x 4 1/2 po de longueur	4	U30-1030ZP	-	-
20	Vis d'assemblage hexagonale - 3/8 po - 16 x 6 po de longueur	4	-	U30-81ZP	U30-81ZP
Trousse d'étanchéité			PP1650	PP1650	PP1650
(Comprend 11, 12, 13, 16A, 18A)					
Trousse de impulseur et de joints d'étanchéité			PP1657	PP1658	PP1659
(Comprend 11, 12, 13, 14, 16A, 16B, 18A, and 18B)					

NOMENCLATURE DES PIÈCES – SÉRIES MS, MVPH

MODÈLES MYERS

NUMÉRO	DESCRIPTION DE LA PIÈCE	QTÉ	MVPH-100	MVPH-150	MVPH-200
			1HP	1 1/2 HP	2 HP
1	Moteur	1	J218-1654	A300FH	AE300GH
1a	Capot de moteur	1	-	-	-
2	Raccord	1	J43-13C	J43-13C	J43-13C
3	Contre-écrou - 1/2 po	1	U36-112ZP	U36-112ZP	U36-112ZP
4	Pressostat	1	U217-1216	U217-204E	U217-204E
5	Raccord barbelé - Droit - 1/4 po NPT	1	U111-211T	U111-211T	U111-211T
6	Tube de 1/4 po de diamètre intérieur	1	U37-672P	U37-672P	U37-672P
7	Ensemble du régulateur de pression	1	J212-24E	J212-24E	J212-24E
7A	Manomètre	1	U239-3	U239-8	U239-8
8	Raccord coudé barbelé - 90° - 1/4 po NPT	1	U111-212T	U111-212T	U111-212T
9	Adaptateur	1	L2-16A	L2-16A	L2-16A
10	Vis d'assemblage hexagonale - 3/8 po - 16 x 1 1/4 po de longueur	2	U30-75ZP	U30-75ZP	U30-75ZP
11	Clavette d'arbre	()	U65-15SS(2)	U65-15SS(3)	U65-15SS(3)
12	Joint d'étanchéité de l'arbre	1	17351-0101A	17351-0101A	17351-0101A
13	Rondelle du support de ressort	1	J24-11	J24-11	J24-11
14	Impulseur	()	J105-76P(2)	J105-74PA(3)	J105-74P(3)
15	Entretoise de la impulseur	()	J43-23(1)	J43-23(2)	J43-23(2)
16	Volute intermédiaire avec joint d'étanchéité et bagues d'usure	()	J101-26(1)	J101-26(2)	J101-26(2)
16A	Joint d'étanchéité de la volute intermédiaire	()	J20-11N(1)	J20-11N(2)	J20-11N(2)
16B	Bague d'usure de la volute intermédiaire	1	J23-10	J23-10	J23-10
16C	Bague d'usure de la volute intermédiaire	1	J23-11	J23-11	J23-11
17	Écrou d'arrêt - Arbre	1	U36-175SSW	U36-175SSW	U36-175SSW
18	Volute intermédiaire avec joint d'étanchéité et bague d'usure	1	J101-33	J101-33	J101-33
18A	Joint d'étanchéité de la volute de base	1	J20-11N	J20-11N	J20-11N
18B	Bague d'usure de la volute de base	1	J23-10	J23-10	J23-10
19	Bouchon de tuyau - 1/4 po tête hexagonale	1	U78-941ZPV	U78-941ZPV	U78-941ZPV
20	Vis d'assemblage hexagonale - 3/8 po - 16 x 4 1/2 po de longueur	4	U30-1030ZP	-	-
20	Vis d'assemblage hexagonale - 3/8 po - 16 x 6 po de longueur	4	-	U30-81ZP	U30-81ZP
Trousse d'étanchéité					
(Comprend 11, 12, 13, 16A, 18A)			PP1650	PP1650	PP1650
Trousse de impulseur et de joints d'étanchéité					
(Comprend 11, 12, 13, 14, 16A, 16B, 18A, and 18B)			PP1657	PP1658	PP1659

DÉPANNAGE

SYMPTÔME	CAUSE(S) POSSIBLE(S)	MESURE CORRECTIVE
Le moteur ne fonctionne pas	Le sectionneur est en position d'arrêt Le fusible a sauté ou le disjoncteur s'est déclenché. L'interrupteur de démarrage est défectueux. Les fils du moteur sont lâches, déconnectés ou ne sont pas correctement câblés Les contacts du pressostat sont sales	Assurez-vous que l'interrupteur est en position de marche. Remplacez le fusible ou réinitialisez le disjoncteur. DÉBRANCHEZ L'ALIMENTATION; remplacez l'interrupteur de démarrage. Consultez les instructions relatives au câblage (page 8). DÉBRANCHEZ L'ALIMENTATION; vérifiez et resserrez tous les câblages. ⚠ Avertissement Tension dangereuse. La tension du condensateur peut être dangereuse. Pour décharger le condensateur, tenez le tournevis à manche isolé PAR LE MANCHE et effectuez un court-circuit des bornes du condensateur. Ne touchez pas la lame métallique du tournevis ni les bornes du condensateur. En cas de doute, consultez un électricien qualifié. DÉBRANCHEZ L'ALIMENTATION et limez les contacts avec une lime émeri ou une lime à ongles.
Le moteur surchauffe et la surcharge se déclenche	Le moteur n'est pas câblé correctement La tension est trop faible Les cycles de pompage sont trop fréquents	Consultez les instructions relatives au câblage. Effectuez des vérifications auprès du fournisseur d'électricité. Installez des fils de plus fort calibre si le calibre des fils est trop faible (voir le tableau électrique/de câblage). Voir la section ci-dessous sur les cycles trop fréquents.
Le moteur fonctionne, mais il n'y a pas d'eau* *(Remarque : Arrêtez la pompe et vérifiez l'amorçage avant de rechercher d'autres causes. Dévissez le bouchon d'amorçage et vérifiez s'il y a de l'eau dans le trou d'amorçage).	L'amorçage de la pompe de la nouvelle installation n'a pas réussi en raison de : 1. Amorçage incorrect 2. Fuite d'air 3. Fuite du clapet de pied ou du clapet de non-retour La pompe a perdu son amorçage en raison de : 1. Fuite d'air 2. Niveau d'eau inférieur à l'entrée du tuyau d'aspiration Le clapet de pied ou la crépine est obstrué L'éjecteur ou la impulseur est obstrué Le clapet de non-retour ou le clapet de pied est coincé Les tuyaux sont gelés Le clapet de pied et/ou la crépine sont recouverts de sable ou de boue Le niveau d'eau est trop bas pour que le puits peu profond puisse fournir de l'eau	Dans la nouvelle installation : 1. Réamorcez selon les instructions. 2. Enduisez d'eau savonneuse ou de mousse à raser tous les raccords de la conduite d'aspiration, de l'AVC et de l'éjecteur. 3. Remplacez le clapet de pied ou le clapet de non-retour. Dans une installation actuellement en service : 1. Vérifiez tous les raccords sur la ligne d'aspiration et le joint d'étanchéité de l'arbre. 2. Descendez la ligne d'aspiration dans l'eau et réamorcez. Si la décrue du niveau d'eau dans le puits dépasse 25 pi (7,6 m), une pompe pour puits profond est nécessaire. Nettoyez le clapet de pied ou la crépine. Nettoyez l'éjecteur ou la impulseur. Remplacez le clapet de non-retour ou le clapet de pied. Faites dégeler les tuyaux. Enterrez les tuyaux sous le seuil du gel. Réchauffez la fosse ou le boîtier de la pompe. Soulevez le clapet de pied et/ou la crépine au-dessus du fond de la source d'eau. Nettoyez le clapet de pied et la crépine. Un jet de puits profond sera nécessaire si l'eau se trouve à plus de 25 pi (7,6 m) de profondeur.
La pompe n'achemine pas l'eau au maximum de sa capacité	Le niveau d'eau dans le puits est plus bas que prévu La tuyauterie en acier (si utilisée) est corrodée ou chaulée, ce qui cause une friction excessive La tuyauterie est de trop petite taille	Une nouvelle combinaison de buse et de venturi peut être nécessaire. Remplacez ces pièces par des tuyaux en plastique si possible, ou par de nouveaux tuyaux en acier. Utilisez une tuyauterie de plus grande taille.
La pompe achemine de l'eau, mais ne s'arrête pas ou effectue des cycles trop fréquents	Le pressostat est dérégulé ou les contacts sont soudés ensemble Les robinets ont été laissés ouverts Le venturi, la buse ou la impulseur est obstrué Le réservoir de pression standard est saturé d'eau et n'a pas de coussin d'air Il y a une fuite dans les tuyaux Les clapets de pied fuient Le pressostat est dérégulé Charge d'air trop faible dans le réservoir préchargé	DÉBRANCHEZ L'ALIMENTATION; réglez le pressostat ou remplacez-le. Fermez les robinets. Nettoyez le venturi, la buse ou la impulseur. Vidangez le réservoir vers l'orifice du régulateur de volume d'air. Assurez-vous que le RVA ne présente aucune défektivité. Assurez-vous qu'il n'y a pas de fuites d'air dans les raccords. Vérifiez les raccordements. Remplacez le clapet de pied. Réglez ou remplacez le pressostat. DÉBRANCHEZ L'ALIMENTATION et ouvrez les robinets jusqu'à ce que toute la pression soit évacuée. Au moyen d'un manomètre, vérifiez la pression d'air dans le réservoir au niveau de la tige de soupape située sur le réservoir. Si la pression est inférieure au réglage d'enclenchement du pressostat (30 à 50 psi), pompez de l'air dans le réservoir depuis une source extérieure jusqu'à ce que la pression d'air soit inférieure de 2 psi au réglage d'enclenchement du pressostat. Vérifiez l'étanchéité de la soupape d'air (utilisez une solution savonneuse) et remplacez le noyau au besoin.
De l'air jaillit des robinets	La pompe fonctionne trop rapidement Fuite du côté aspiration de la pompe Le puits est gazeux Pompage excessif intermittent du puits. (L'eau est aspirée en dessous du clapet de pied).	Lorsque la pompe est amorcée, elle doit pomper une eau exempte d'air. Le tuyau d'aspiration aspire de l'air. Vérifiez l'étanchéité des joints avec de l'eau savonneuse. Communiquez avec l'usine au sujet de l'installation d'un manchon dans le puits Abaissez le clapet de pied si possible, sinon limitez le débit de la pompe

GARANTIE BERKELEY

Pentair BERKELEY® garantit à l'acheteur initial (« l'Acheteur » ou « Vous ») des produits énumérés dans le tableau ci-dessous qu'ils seront exempts de défauts de matériaux et de fabrication pendant la période de garantie indiquée dans le tableau ci-dessous.

PRODUIT	PÉRIODE DE GARANTIE SELON LA PREMIÈRE ÉVENTUALITÉ :
Produits pour les systèmes d'eau – pompes à jet, petites pompes centrifuges, pompes submersibles et accessoires connexes	12 mois à partir de la date d'installation initiale ou 18 mois à partir de la date de fabrication
Réservoirs en composite Pentair Pro-Source®	5 ans à partir de la date d'installation initiale
Réservoirs sous pression en acier Pentair Pro-Source®	5 ans à partir de la date d'installation initiale
Réservoirs avec doublure en époxy Pentair Pro-Source®	3 ans à partir de la date d'installation initiale
Agricole/Commercial :	
Pompes centrifuges : entraînement moteur monobloc, montage sur châssis, montage SAE, entraînement moteur, VMS, SSCX, SSHM	12 mois à partir de la date d'installation initiale ou 24 mois à partir de la date de fabrication
Turbines submersibles, 6 po de diamètre et plus	12 mois à partir de la date d'installation initiale ou 24 mois à partir de la date de fabrication

Notre garantie ne s'applique pas aux produits qui, à notre seul avis, ont fait l'objet de négligence, d'une mauvaise utilisation, d'une mauvaise installation ou d'un manque d'entretien adéquat. Voici quelques exceptions qui peuvent entraîner le refus d'une réclamation dans le cadre de la garantie (cette liste n'est pas exhaustive) :

- ◆ Dommages causés par une manipulation négligente, un réemballage inapproprié ou l'expédition.
- ◆ Dommages causés par une mauvaise application, une mauvaise utilisation, un abus ou un manquement à faire fonctionner l'équipement comme spécifié dans le manuel du propriétaire.
- ◆ Dommages causés par une installation des produits qui n'était pas conforme aux indications spécifiées dans la notice d'utilisation.
- ◆ Dommages causés par des modifications non autorisées du produit ou un défaut d'utilisation des pièces de rechange d'origine Pentair.
- ◆ Dommages causés par la négligence ou un entretien des produits qui n'était pas conforme aux indications spécifiées dans la notice d'utilisation.
- ◆ Dommage causé par la congélation de l'eau à l'intérieur du produit.
- ◆ Dommages accidentels, incendie, événements de force majeure ou autres circonstances indépendantes de la volonté de Pentair.

Sans limiter ce qui précède, l'utilisation d'un moteur triphasé avec une alimentation monophasée par l'intermédiaire d'un convertisseur de phase annulera la garantie. Veuillez également noter que les moteurs triphasés doivent être protégés par des relais de surcharge à trois branches, à compensation ambiante et à déclenchement extrarapide, du calibre recommandé, sans quoi la garantie est annulée.

Tous les diamètres de impulseur mentionnés dans le programme de dimensionnement de la pompe BEC2 ont été testés et déterminés pour ne pas dépasser le coefficient de service du moteur spécifié. Des diamètres de impulseur surdimensionnés peuvent être demandés, mais l'utilisation d'une impulseur surdimensionnée annulera toute demande de garantie.

Votre seul recours, et la seule obligation de BERKELEY dans le cadre de cette garantie, consiste à ce que BERKELEY répare ou remplace les produits défectueux (au choix de BERKELEY). LES RECOURS DÉCRITS DANS LE PRÉSENT DOCUMENT CONSTITUENT VOS SEULS ET UNIQUES RECOURS ET NOTRE ENTIÈRE RESPONSABILITÉ EN CAS DE VIOLATION DE LA PRÉSENTE GARANTIE.

Vous devez payer tous les frais de main-d'œuvre et d'expédition associés à la garantie et vous adresser au concessionnaire-installateur dès qu'un problème est découvert pour obtenir un service sous garantie. Aucune demande d'entretien ne sera acceptée si elle est reçue après l'expiration de la période de garantie. Cette garantie n'est pas transférable.

LA RESPONSABILITÉ DE BERKELEY NE DÉPASSERA EN AUCUN CAS LE MONTANT RÉEL PAYÉ PAR VOUS POUR LE PRODUIT EN CAUSE. BERKELEY NE SAURAIT, EN AUCUNE CIRCONSTANCE, ÊTRE TENUE RESPONSABLE DES DOMMAGES OU PERTES IMMATÉRIELS, ACCESSOIRES, SPÉCIAUX, PUNITIFS OU ÉVENTUELS, QUELS QU'ILS SOIENT, DIRECTEMENT OU INDIRECTEMENT. LA GARANTIE QUI PRÉCÈDE EST EXCLUSIVE. À L'EXCEPTION DE LA GARANTIE ÉNONCÉE DANS LE PRÉSENT DOCUMENT, BERKELEY N'OFFRE AUCUNE GARANTIE QUELLE QU'ELLE SOIT EN CE QUI CONCERNE LES PRODUITS, Y COMPRIS, MAIS SANS S'Y LIMITER, TOUTE GARANTIE DE QUALITÉ MARCHANDE OU D'ADÉQUATION À UN USAGE PARTICULIER, QU'ELLE SOIT EXPRESSE OU IMPLICITE EN VERTU DE LA LOI, DES PRATIQUES COMMERCIALES, DES PERFORMANCES, DE L'USAGE DU COMMERCE OU AUTRE.

LES GARANTIES QUI PRÉCÈDENT NE SERONT PAS PROLONGÉES AU-DELÀ DE LA PÉRIODE PRÉVUE DANS LES PRÉSENTES. Certains États ou provinces n'autorisent pas d'exclure ou de limiter les dommages fortuits ou indirects ou de limiter la durée d'une garantie implicite; il se peut donc que les limitations ou exclusions ci-dessus ne s'appliquent pas à votre cas. Cette garantie vous donne des droits juridiques spécifiques et vous pourriez également avoir d'autres droits, qui varient d'un État à l'autre.

La présente garantie prend effet le 14 juillet 2020 et remplace toutes les garanties non datées ainsi que les garanties datées antérieures à cette date.

GARANTIE MYERS

GARANTIE LIMITÉE

Myers® garantit à l'acheteur initial (« l'Acheteur » ou « Vous ») des produits figurant ci-dessous qu'ils seront exempts de tout défaut de matériau et de fabrication pour la période de garantie indiquée ci-dessous.

PRODUIT	PÉRIODE DE GARANTIE SELON LA PREMIÈRE ÉVENTUALITÉ :
Pompes à jet, petites pompes centrifuges, pompes submersibles et accessoires connexes	12 mois à compter de la date d'installation initiale ou 18 mois à compter de la date de fabrication.
Réservoirs en fibre enroulée	5 ans à partir de la date d'installation initiale
Réservoirs sous pression en acier	5 ans à partir de la date d'installation initiale
Produits de puisard/égout/effluent/services/batterie de secours	36 mois à partir de la date de fabrication
Pompes de traitement des matières solides des eaux usées	12 mois à partir de la date d'expédition de l'usine ou 18 mois à partir de la date de fabrication

NETTOYAGE DE LA BUSE (BASSE PRESSION)

Notre garantie s'applique uniquement quand ces produits sont utilisés conformément aux exigences du catalogue et/ou des manuels des produits concernés. Pour plus d'informations, consultez la garantie limitée standard applicable dans le manuel du produit.

Notre garantie ne s'appliquera pas à un produit qui, selon notre seul jugement, a fait l'objet de négligence, d'une mauvaise utilisation, d'une mauvaise installation ou d'un mauvais entretien. Sans limiter ce qui précède, l'utilisation d'un moteur triphasé avec une alimentation monophasée par l'intermédiaire d'un convertisseur de phase annulera la garantie. Veuillez également noter que les moteurs triphasés doivent être protégés par des relais de surcharge à trois branches, à compensation ambiante et à déclenchement extrarapide, du calibre recommandé, sans quoi la garantie est annulée.

Votre seul recours et la seule responsabilité de MYERS sont que MYERS répare ou remplace les produits défectueux (au choix de MYERS). Vous devez payer tous les frais de main-d'œuvre et d'expédition associés à cette garantie et réclamer un service en vertu de la garantie auprès du détaillant Pentair Pro ayant effectué l'installation dès qu'un problème est détecté. Aucune demande d'entretien ne sera acceptée si elle est reçue après l'expiration de la période de garantie. Cette garantie n'est pas transférable.

MYERS NE SERA TENUE RESPONSABLE D'AUCUN DOMMAGE CONSÉCUTIF, INDIRECT OU ACCESSOIRE, QUEL QU'IL SOIT.

LES GARANTIES LIMITÉES SUSMENTIONNÉES SONT LES SEULES GARANTIES OFFERTES ET REMPLACENT TOUTES LES AUTRES GARANTIES EXPRESSES ET IMPLICITES, Y COMPRIS, SANS S'Y LIMITER, LES GARANTIES IMPLICITES DE QUALITÉ MARCHANDE ET D'ADAPTATION À UN USAGE PARTICULIER. LES GARANTIES LIMITÉES QUI PRÉCÈDENT NE SE PROLONGENT PAS AU-DELÀ DE LA PÉRIODE PRÉVUE AUX PRÉSENTES.

Certains États ou provinces n'autorisent pas d'exclure ou de limiter les dommages fortuits ou indirects ou de limiter la durée d'une garantie implicite; il se peut donc que les limitations ou exclusions ci-dessus ne s'appliquent pas à votre cas. Cette garantie vous donne des droits juridiques spécifiques et vous pourriez également avoir d'autres droits, qui varient d'un État à l'autre.

La présente garantie limitée entre en vigueur le 1^{er} janvier 2021 et remplace toutes les garanties non datées ainsi que celles antérieures à cette date.

GARANTIE STA-RITE

GARANTIE LIMITÉE

STA-RITE garantit à l'acheteur initial (« l'acheteur » ou « vous ») des produits figurant ci-dessous qu'ils seront exempts de tout défaut de matériau et de fabrication pour la période de garantie indiquée ci-dessous.

PRODUIT	PÉRIODE DE GARANTIE SELON LA PREMIÈRE ÉVENTUALITÉ :
Produits pour les systèmes d'eau - pompes à jet, petites pompes centrifuges, pompes submersibles et accessoires connexes	12 mois à partir de la date d'installation initiale ou 18 mois à partir de la date de fabrication
Réservoirs en composite Pro-Source™	5 ans à partir de la date d'installation initiale
Réservoirs sous pression en acier Pro-Source™	5 ans à partir de la date d'installation initiale
Réservoirs à revêtement époxy Pro-Source™	3 ans à partir de la date d'installation initiale
Pompes de puisard /eaux usées/ eaux effluentes	12 mois à partir de la date d'installation initiale ou 18 mois à partir de la date de fabrication

Notre garantie ne s'appliquera pas à un produit qui, selon notre seul jugement, a fait l'objet de négligence, d'une mauvaise utilisation, d'une mauvaise installation ou d'un mauvais entretien. Sans limiter ce qui précède, l'utilisation d'un moteur triphasé avec une alimentation monophasée par l'intermédiaire d'un convertisseur de phase annulera la garantie. Veuillez également noter que les moteurs triphasés doivent être protégés par des relais de surcharge à trois branches, à compensation ambiante et à déclenchement extrarapide, du calibre recommandé, sans quoi la garantie est annulée.

Votre seul recours et la seule responsabilité de STA-RITE sont que STA-RITE répare ou remplace les produits défectueux (au choix de STA-RITE). Vous devez payer tous les frais de main-d'œuvre et d'expédition associés à cette garantie et réclamer un service en vertu de la garantie auprès du détaillant Pentair Pro ayant effectué l'installation dès qu'un problème est détecté. Aucune demande d'entretien ne sera acceptée si elle est reçue après l'expiration de la période de garantie. Cette garantie n'est pas transférable.

STA-RITE NE SERA TENUE RESPONSABLE D'AUCUN DOMMAGE CONSÉCUTIF, INDIRECT OU ACCESSOIRE, QUEL QU'IL SOIT. LES GARANTIES QUI PRÉCÈDENT SONT LES SEULES GARANTIES OFFERTES ET ELLES REMPLACENT TOUTES LES AUTRES GARANTIES EXPRESSES ET IMPLICITES, Y COMPRIS, MAIS SANS S'Y LIMITER, LES GARANTIES IMPLICITES DE QUALITÉ MARCHANDE ET D'ADÉQUATION À UN USAGE PARTICULIER. LES GARANTIES QUI PRÉCÈDENT NE SERONT PAS PROLONGÉES AU-DELÀ DE LA PÉRIODE EXPRESSÉMENT PRÉVUE DANS LES PRÉSENTES. Certains États ou provinces n'autorisent pas d'exclure ou de limiter les dommages fortuits ou indirects ou de limiter la durée d'une garantie implicite; il se peut donc que les limitations ou exclusions ci-dessus ne s'appliquent pas à votre cas. Cette garantie vous donne des droits juridiques spécifiques et vous pourriez également avoir d'autres droits, qui varient d'un État à l'autre.

La présente garantie limitée entre en vigueur le 1^{er} juin 2011 et remplace toutes les garanties non datées ainsi que les garanties antérieures au 1^{er} juin 2011.



**293 Wright St
Delavan, WI 53115
Tél. : 888 987-8677
Télééc. : 800 426-9446**

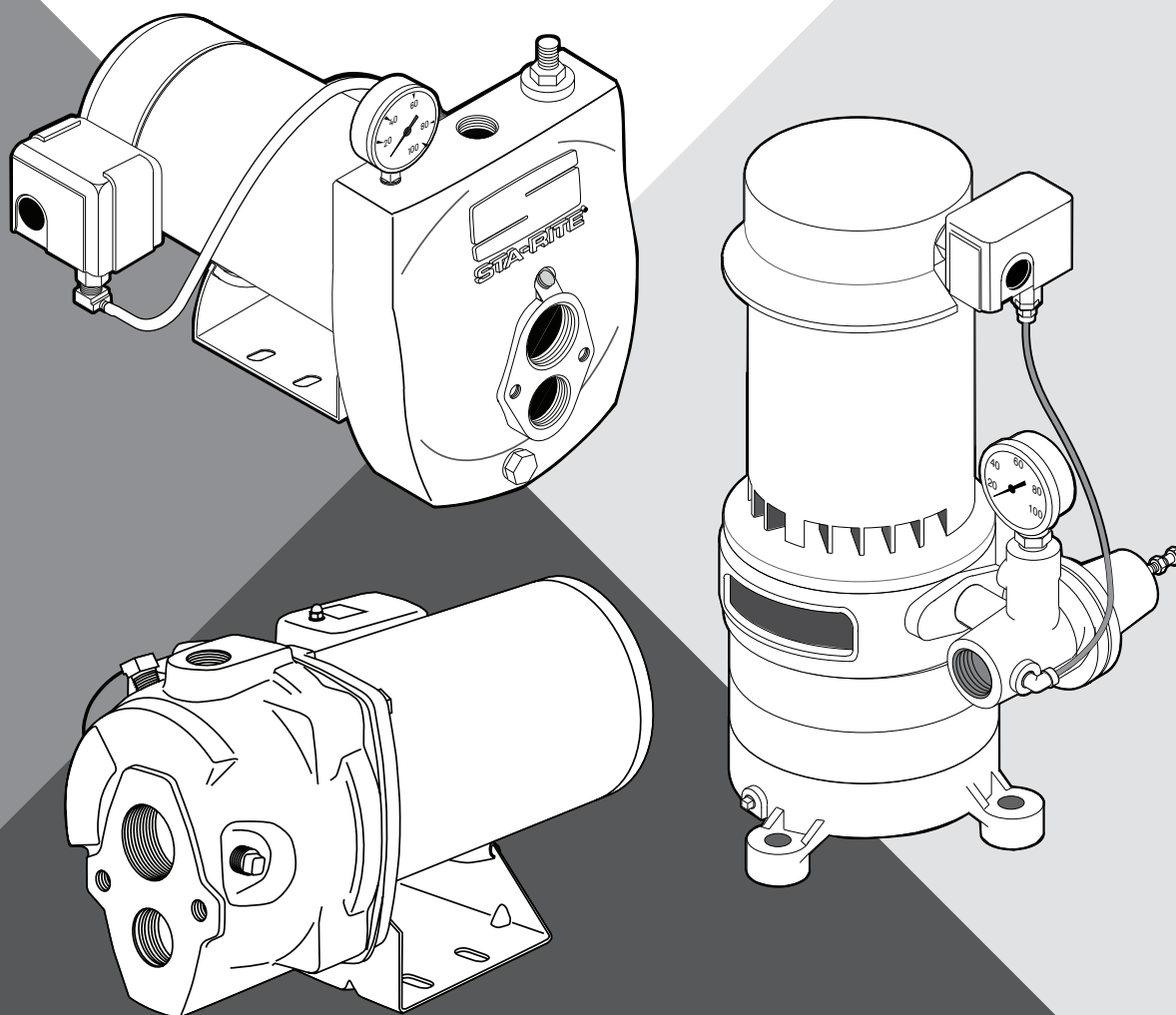
**490 Pinebush Road, Unit 4 pentair.com
Cambridge, Ontario
Canada N1T 0A5
Tél. : 800 363-7867**

Toutes les marques de commerce et tous les logos Pentair indiqués appartiennent à Pentair. Les marques de commerce et les logos déposés et non déposés de tiers appartiennent à leurs propriétaires respectifs. Comme Pentair cherche constamment à améliorer ses produits et ses services, elle se réserve le droit d'en modifier les spécifications sans préavis. Pentair est un employeur offrant l'accès à l'égalité en emploi.

© Pentair, 2022. Tous droits réservés.

P15004 (15-12-22)

BOMBAS INYECTORAS PROFESIONALES PARA POZOS PROFUNDOS



MANUAL DEL PROPIETARIO

pentair.com

ÍNDICE

INFORMACIÓN DE SEGURIDAD	3
INTRODUCCIÓN	4
INSTALACIÓN	5
CONEXIONES DE TUBERÍA DE DESCARGA Y TANQUE DE PRESIÓN.....	6
SISTEMA ELÉCTRICO.....	7
PREPARACIÓN PARA PONER EN MARCHA LA BOMBA: POZO PROFUNDO	10
PREPARACIÓN PARA PONER EN MARCHA LA BOMBA: POZO POCO PROFUNDO	11
FUNCIONAMIENTO	12
MANTENIMIENTO	13
ÍNDICE DE PARTES	20
RESOLUCIÓN DE PROBLEMAS.....	34
GARANTÍAS	35

ESTE MANUAL CUBRE LOS SIGUIENTES MODELOS:

STA-RITE SL, HL, FL, HMS, PL, MS,

MYERS HR, HJ, MVPH

BERKELEY SL, HL, LT2, MS

INFORMACIÓN DE SEGURIDAD

SÍMBOLOS DE SEGURIDAD

⚠ Este es el símbolo de alerta de seguridad. Cuando vea este símbolo en su bomba o en este manual, busque una de las siguientes palabras de aviso y preste atención a la posibilidad de sufrir lesiones personales:

⚠ PELIGRO advierte sobre peligros que causarán lesiones personales graves, la muerte o daños importantes a la propiedad si se ignoran.

⚠ ADVERTENCIA advierte sobre peligros que pueden causar lesiones personales graves, la muerte o daños importantes a la propiedad si se ignoran.

⚠ PRECAUCIÓN advierte sobre peligros que causarán o que pueden causar lesiones personales o daños a la propiedad leves si se ignoran.

La palabra **NOTA** indica instrucciones especiales que son importantes pero que no están relacionadas con peligros.

Lea atentamente y siga todas las instrucciones de seguridad en este manual y en la bomba.

Mantenga las etiquetas de seguridad en buen estado. Reemplace las etiquetas de seguridad faltantes o dañadas.

ADVERTENCIA CONFORME A LA PROPUESTA 65 DE CALIFORNIA

⚠ ADVERTENCIA Este producto y sus accesorios relacionados contienen productos químicos que en el Estado de California se sabe que causan cáncer, defectos congénitos y otros daños en el sistema reproductivo.

⚠ ADVERTENCIA



Voltaje peligroso. Puede electrocutar, quemar o causar la muerte.

Conecte a tierra la bomba antes de conectarla a la fuente de alimentación. Desconecte la alimentación antes de trabajar en la bomba, el motor o el tanque.

- ◆ Cablee el motor para obtener el voltaje correcto. Consulte la sección "Sistema eléctrico" de este manual y la placa de identificación del motor.
- ◆ Conecte a tierra el motor antes de conectarlo a la fuente de alimentación.
- ◆ Cumpla con el Código Eléctrico Nacional, el Código Eléctrico Canadiense y los códigos locales en todo el cableado.
- ◆ Siga las instrucciones de cableado de este manual cuando conecte el motor a las líneas eléctricas.

SEGURIDAD GENERAL

⚠ PRECAUCIÓN **NO TOQUE UN MOTOR EN FUNCIONAMIENTO.**

Los motores modernos están diseñados para funcionar a altas temperaturas. Para evitar quemaduras cuando realice el servicio de mantenimiento de la bomba, apáguela y deje que se enfríe durante 20 minutos antes de manipularla.

- ◆ **NO** permita que la bomba o cualquier componente del sistema se congele. Si esto sucede, la garantía quedará anulada.
- ◆ Con esta bomba solo bombee agua.
- ◆ Inspeccione periódicamente la bomba y los componentes del sistema.
- ◆ Use gafas de seguridad en todo momento cuando trabaje en las bombas.
- ◆ Mantenga el área de trabajo limpia, despejada y debidamente iluminada; guarde adecuadamente todas las herramientas y equipos que no use.
- ◆ Mantenga a los visitantes a una distancia segura de las áreas de trabajo.

⚠ ADVERTENCIA El cuerpo de la bomba puede explotar si se usa como bomba auxiliar a menos que se instale una válvula de alivio de presión capaz de pasar el flujo total de la bomba a 75 psi.

SEGURIDAD ELÉCTRICA

⚠ ADVERTENCIA **EL VOLTAJE DEL CONDENSADOR PUEDE SER PELIGROSO.** Para descargar el condensador del motor, sujete un destornillador con mango aislado **por el mango** y conecte en corto los terminales del condensador entre sí. No toque la punta de metal del destornillador ni los terminales del condensador. En caso de duda, consulte a un electricista calificado.



⚠ ADVERTENCIA ¡Presión peligrosa! Instale una válvula de alivio de presión en la tubería de descarga.

Libere toda la presión del sistema antes de trabajar en cualquier componente.

COMPONENTES PRINCIPALES Y SU FUNCIÓN

TANQUE Y CONTROL DE VOLUMEN DE AIRE

El tanque cumple dos funciones: (1) proporciona un depósito de agua, parte del cual puede extraerse a través de un grifo de agua en la vivienda antes de arrancar la bomba; (2) mantiene un colchón de aire bajo presión.

Cuando se usa un **tanque hidroneumático precargado con membrana**, no se necesita un control de volumen de aire. Este tanque contiene una carga previa de aire aislada.

Cuando no se usa un **tanque hidroneumático sin membrana**, un control de volumen de aire agrega aire al tanque según sea necesario. El control de volumen de aire se encuentra conectado al costado del tanque y está conectado por una tubería de presión con el lado de succión de la bomba.

INTERRUPTOR DE PRESIÓN

Se proporciona un interruptor de presión para un funcionamiento automático. La bomba arranca cuando la presión del sistema desciende hasta la presión de activación y se detiene cuando la presión del sistema alcanza la presión de interrupción.

IMPULSOR, CHORRO Y REGULADOR DE PRESIÓN

El impulsor de la bomba gira con el eje del motor, lo que provoca un aumento de la presión. La rotación del impulsor crea un vacío, lo que permite que el agua ingrese a la bomba. Parte del agua se desvía de regreso al sistema de inyección, donde nuevamente pasa a través de la boquilla y el venturi, creando un vacío adicional para succionar más agua y enviarla a alta presión al impulsor.

En una **instalación de pozo profundo**, el ensamblaje del chorro se sumerge en el pozo porque la distancia vertical al nivel del agua supera la altura de succión de la bomba. El ajuste del regulador hace que la cantidad correcta de agua se desvíe de regreso al chorro para un funcionamiento más eficiente.

El regulador se puede usar para restringir el flujo de agua en un sistema de pozo poco profundo si la bomba convertible tiene la capacidad de extraer más agua de la que puede producir el pozo.

En una **instalación de pozo poco profundo**, el ensamblaje del sistema de inyección se conecta directamente a la bomba porque el vacío hará subir el agua a la bomba

NIVEL DE AGUA DEL POZO

Se recomienda usar sistemas de agua para pozos poco profundos en pozos en los que la suma de: (1) la medida vertical desde la bomba hasta el nivel del agua en el pozo, (2) el descenso de nivel del agua del pozo y (3) la altura de aspiración de la tubería de succión es igual a 25 pies o menos.

UBICACIÓN

La unidad se puede instalar en cualquier ubicación que brinde suficiente espacio para la instalación y el servicio de mantenimiento del pozo. Un sótano seco, una fosa o un cuarto de servicio es una excelente opción cuando lo permite la ley. Consulte con las agencias estatales y locales para determinar las restricciones en su área.

POZOS

En un pozo nuevo se debería bombear toda la arena hasta que quede limpio antes de la instalación. La arena dañará las piezas de la bomba y las juntas. El nivel de extracción del pozo no debe exceder la profundidad nominal máxima de la bomba o la capacidad se reducirá y podría provocar la pérdida de cebado.

NOTA: Es posible que sea necesario agregar cloro al pozo antes de instalar una bomba nueva. Consulte con el departamento de salud local para obtener recomendaciones.

TUBERÍA

Se muestra tubería de plástico en las ilustraciones.

Si se desea, se puede utilizar tubería de hierro galvanizado.

- ♦ La tubería debe estar limpia y libre de toda materia extraña para evitar la obstrucción del sistema de inyección.
- ♦ Si la unidad se instala a la bomba separada del pozo, se deben proporcionar uniones cuando sea necesario.
- ♦ Proporcione una llave de vaciado en un punto bajo de la línea de servicio para drenar el tanque de presión.

Asegúrese de que todas las conexiones de succión estén ajustadas herméticamente. La principal causa de problemas en una instalación nueva son las fugas de aire en una o más juntas en la línea de succión.

SELLADO DE JUNTAS EN LA TUBERÍA

Utilice únicamente cinta selladora de roscas de tubería de PTFE o compuestos a base de PTFE para juntas para sellar todas las conexiones roscadas a la bomba.

No utilice compuestos para juntas de tuberías en bombas de plástico: pueden reaccionar con el plástico en los componentes de la bomba. Asegúrese de que todas las juntas en la tubería de succión sean herméticas al aire y al agua. Si puede ingresar aire en la tubería de succión, la bomba no podrá extraer agua del pozo.

INSTALACIÓN

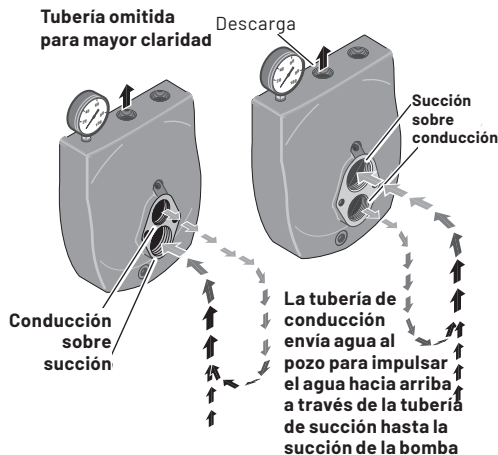


Figura 1: Funciones de conducción y succión

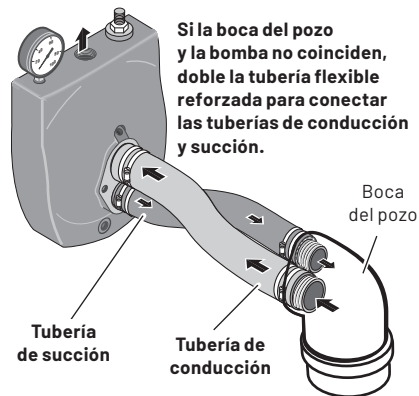


Figura 2: Conexiones invertidas al pozo

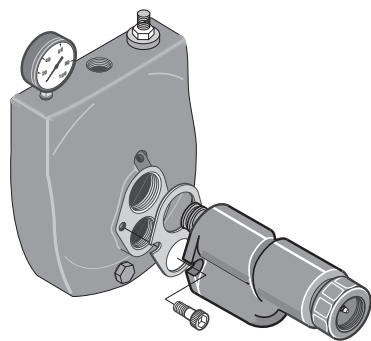


Figura 3: Eyector de montaje: pozo poco profundo

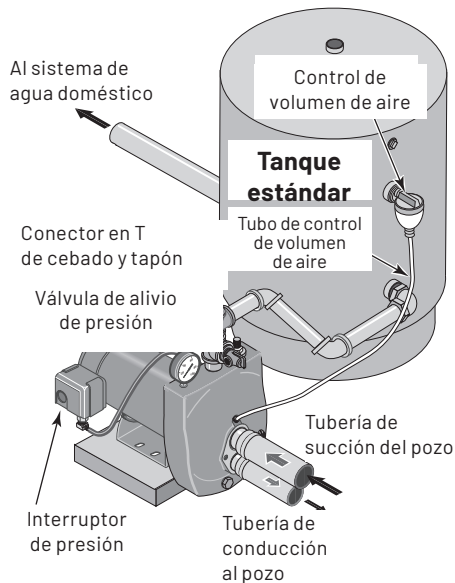
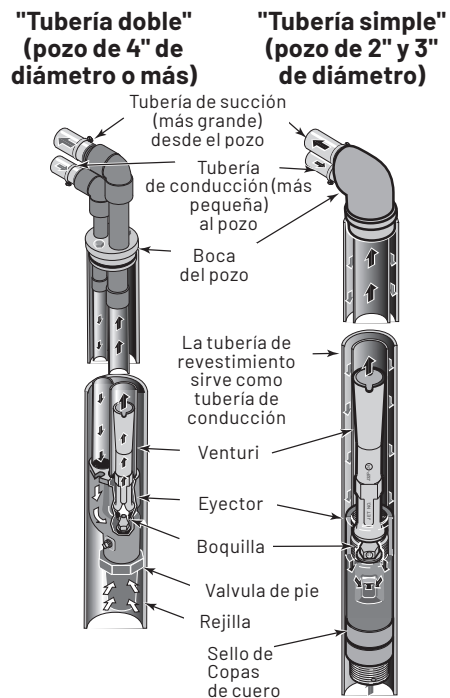


Figura 4: Instalaciones típicas de pozos profundos



1834 0695

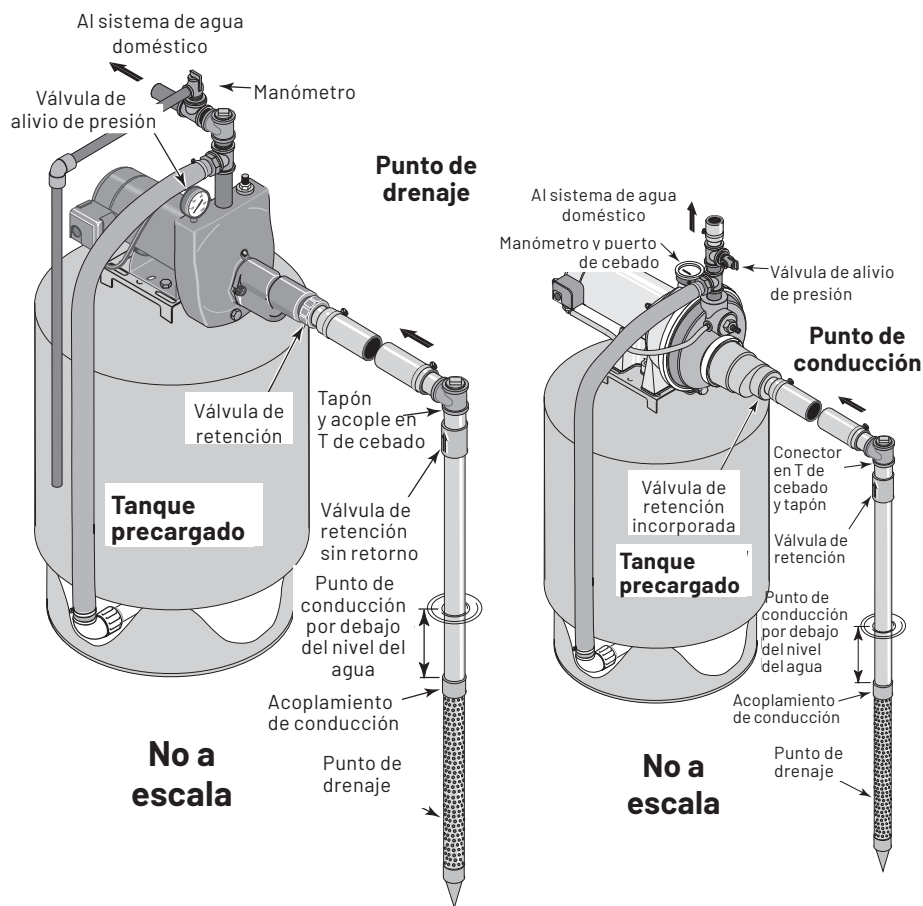


Figura 5: Instalaciones típicas de pozos poco profundos

CONEXIONES DE LA TUBERÍA DE DESCARGA Y DEL TANQUE DE PRESIÓN

CONEXIÓN DEL TANQUE PRECARGADO (FIGURA 6)

Si su sistema usa un tanque precargado, debe conectarse a la bomba como se muestra en la Fig. 6. La válvula de alivio de presión debe ser capaz de pasar toda la capacidad de la bomba a una presión de 100 PSI.

Revise la precarga de aire en el tanque con un manómetro normal para neumáticos. La precarga se mide cuando no hay presión de agua en el tanque. Desconecte la alimentación de la bomba y drene el tanque antes de revisar la precarga. Su bomba tiene un interruptor de 30/50 PSI, por lo que la presión de la precarga del tanque debe ser de 28 PSI (es decir, debe ser 2 PSI más baja que la presión de activación del interruptor de presión).

No se requiere un AVC para un tanque precargado; el puerto de AVC de 1/8" NPT en el cuerpo de la bomba debe estar tapado.

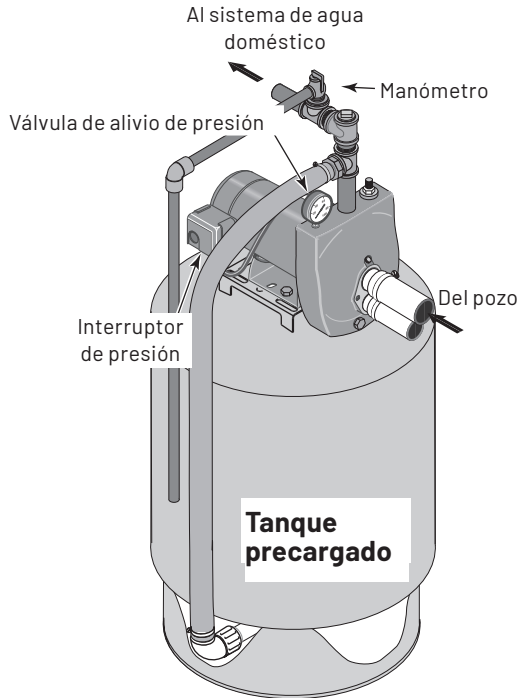


Figura 6: Conexiones de tanque precargado

CONEXIÓN DE TANQUE ESTÁNDAR (FIGURA 7)

Si su sistema usa un tanque estándar, debe conectarse a la bomba como se muestra en la Fig. 7. La válvula de alivio de presión con un tanque estándar debe ser capaz de pasar toda la capacidad de la bomba a una presión de 75 PSI.

Conecte el tubo de control de volumen de aire (AVC) al puerto de AVC de 1/8" NPT en el cuerpo de la bomba. Pase el tubo desde el puerto de AVC de la bomba hasta el AVC montado en el tanque. Consulte las instrucciones provistas con el tanque y el AVC para obtener más detalles.

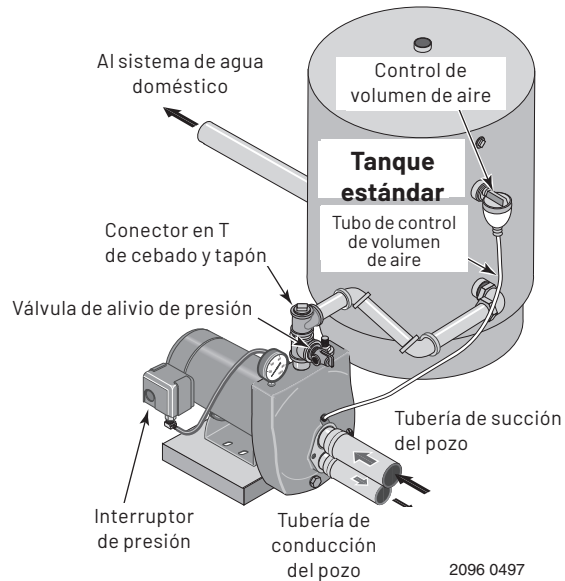


Figura 7: Conexiones de tanque estándar

SELLADO DE JUNTAS EN LA TUBERÍA

Utilice únicamente cinta selladora de roscas de tubería de PTFE para sellar todas las conexiones roscadas a la bomba. **No utilice compuestos para juntas de tuberías en bombas de plástico:** pueden reaccionar con el plástico en los componentes de la bomba. Asegúrese de que todas las juntas en la tubería de succión sean herméticas tanto al aire como al agua. Si puede ingresar aire en la tubería de succión, la bomba no podrá extraer agua del pozo.

SISTEMA ELÉCTRICO

AJUSTES DEL INTERRUPTOR DEL MOTOR

⚠ DESCONECTE LA ALIMENTACIÓN ANTES DE TRABAJAR EN LA BOMBA, EL MOTOR, EL INTERRUPTOR DE PRESIÓN O EL CABLEADO.

NOTA: Los MOTORES DE 1/3 y 1/2 HP son de doble voltaje y están configurados de fábrica a 115 V. Los motores de 3/4 y 1 HP también son de doble voltaje, pero están configurados de fábrica a 230 V. El tablero de terminales del motor (ubicado debajo de la cubierta del extremo del motor) debe verse como se muestra a continuación. Siga las instrucciones para configurar su motor para que coincida con su fuente de alimentación.

⚠ ADVERTENCIA Nunca conecte un motor configurado a 115 V a una fuente de alimentación de 230 V.

SELECTOR DE VOLTAJE TIPO ENCHUFE

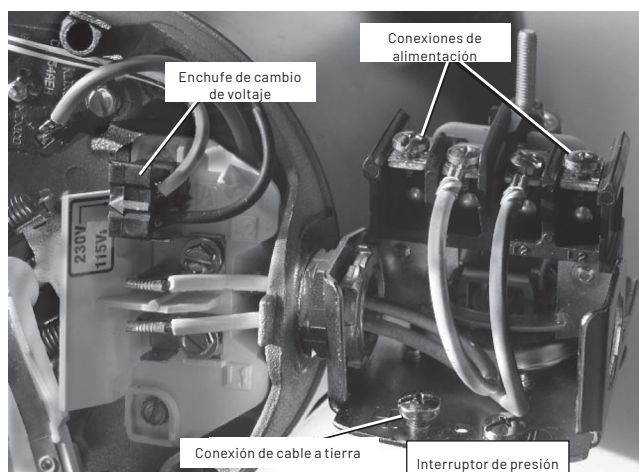


Figura 8: Voltaje configurado a 230 voltios, tipo enchufe

El voltaje viene configurado de fábrica a 230 voltios. Para cambiar a 115 voltios:

1. Asegúrese de que esté apagado.
2. Retire el enchufe de cambio de voltaje de las pestañas.
3. Cámbielo a la posición de 115 voltios.

El enchufe ahora cubrirá 2 pestañas de metal y la flecha en el enchufe se alinearán con la flecha de 115 V en la etiqueta (ver Figura 9).



Figura 9: Voltaje configurado a 115 voltios, tipo enchufe

4. Conecte los conductores de alimentación de entrada a los dos tornillos exteriores del interruptor de presión como se muestra en la Figura 8.
5. Conecte la puesta a tierra a una de las conexiones a tierra, como se muestra en la Figura 8.
6. Si hay otros cables, sus extremos deben estar aislados.
7. Vuelva a instalar la cubierta del extremo del motor.

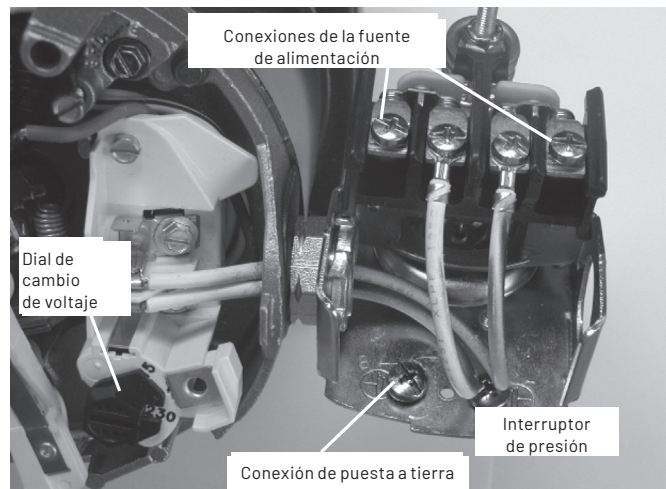


Figura 10: Voltaje configurado a 230 voltios, tipo dial

El voltaje viene configurado de fábrica a 230 voltios. Para cambiar a 115 voltios:

1. Asegúrese de que la energía esté apagada.
2. Gire el dial en sentido antihorario hasta que se muestre 115 en la ventana del dial, como se muestra en la Figura 11.



Figura 11: Voltaje configurado a 115 voltios, tipo dial

3. Conecte los conductores de alimentación de entrada a los dos tornillos exteriores del interruptor de presión como se muestra en la Figura 10.
4. Conecte la puesta a tierra a una de las conexiones a tierra, como se muestra en la Figura 10.
5. Si hay otros cables, sus extremos deben estar protegidos.
6. Vuelva a instalar la cubierta del extremo del motor.

SISTEMA ELÉCTRICO

⚠ ADVERTENCIA VOLTAJE PELIGROSO. Puede electrocutar, quemar o causar la muerte. Conecte el cable a tierra antes de conectar los cables de alimentación. Use el tamaño de cable (incluido el cable a tierra) especificado en la tabla de cableado. Si es posible, conecte la bomba a un circuito derivado aparte que no tenga otros aparatos conectados.

⚠ ADVERTENCIA PELIGRO DE EXPLOSIÓN. No conecte a tierra a una línea de suministro de gas.

CONEXIONES DE CABLEADO

⚠ ADVERTENCIA PELIGRO DE INCENDIO. Un voltaje incorrecto puede provocar un incendio o dañar gravemente el motor, y anular la garantía. El voltaje de alimentación debe estar dentro del $\pm 10\%$ del voltaje indicado en la placa de identificación del motor.

- Los motores de doble voltaje están cableados de fábrica para 230 voltios. Si es necesario, vuelva a conectar el motor a 115 voltios, como se muestra. No altere el cableado en motores de voltaje único.
- Instale, conecte a tierra, cablee y mantenga su bomba de acuerdo con el Código Eléctrico Nacional (NEC) de Estados Unidos o el Código Eléctrico Canadiense (CEC), según corresponda, y con todos los códigos y ordenanzas locales que correspondan. Consulte a su inspector de construcción local para obtener información sobre el código.

PROCEDIMIENTO DE CONEXIÓN

- Conecte primero el cable a tierra (Figura 9). El cable a tierra debe ser un cable de cobre sólido al menos tan grande como los cables de alimentación.
- Debe haber una conexión de metal sólido entre el interruptor de presión y el motor para la protección de puesta a tierra del motor. Si el interruptor de presión no está conectado al motor, conecte el tornillo a tierra verde en el interruptor al tornillo a tierra verde debajo de la cubierta del extremo del motor. Utilice un cable de cobre sólido al menos tan grande como los cables de alimentación.
- Conecte el cable a tierra a un conductor puesto a tierra en un panel de servicio, a una tubería de agua de metal subterránea, a una carcasa de metal de al menos diez pies (3 m) de largo o a un electrodo a tierra provisto por la compañía eléctrica o la autoridad hidroeléctrica.
- Conecte los cables de alimentación al interruptor de presión como se muestra en la Figura 9.

SERIES SL, FL, PL, HR

CABALLOS DE FUERZA	VOLTAJE	AMPERAJE DE CARGA MÁX.	AMPERAJE NOMINAL DEL FUSIBLE DE DERIVACIÓN	DISTANCIA EN PIES (METROS) DEL MOTOR AL SUMINISTRO			
				0-100 (0-30)	101-200 (31-61)	201-300 (62-91)	301-400 (92-122)
				MEDIDA DEL CABLE AWG (MM ²)			
1/2	115/230	8.5/4.3	15/15	14/14 (2/2)	12/14 (3/2)	10/14 (5.5/2)	8/14 (8.4/2)
3/4	115/230	11.4/5.7	20/15	14/14 (2/2)	10/14 (5.5/2)	8/14 (8.4/2)	6/12 (14/3)
1	115/230	12.2/6.1	25/15	12/14 (3/2)	8/14 (8.4/2)	8/14 (8.4/2)	6/12 (14/3)
1-1/2	115/230	18.4/9.2	30/20	10/14 (5.5/2)	8/14 (8.4/2)	6/12 (14/3)	4/10 (21/5.5)

SERIE HL

CABALLOS DE FUERZA	VOLTAJE	AMPERAJE DE CARGA MÁX.	AMPERAJE NOMINAL DEL FUSIBLE DE DERIVACIÓN	DISTANCIA EN PIES (METROS) DEL MOTOR AL SUMINISTRO			
				0-100 (0-30)	101-200 (31-61)	201-300 (62-91)	301-400 (92-122)
				MEDIDA DEL CABLE AWG (MM ²)			
1/2	115/230	11.4/5.7	20/15	14/14 (2/2)	10/14 (5.5/2)	8/14 (8.4/2)	6/12 (14/3)
3/4	115/230	12.2/6.1	25/15	12/14 (3/2)	8/14 (8.4/2)	8/14 (8.4/2)	6/12 (14/3)
1	115/230	18.4/9.2	30/20	10/14 (5.5/2)	8/14 (8.4/2)	6/12 (14/3)	4/10 (21/5.5)

SISTEMA ELÉCTRICO

SERIES HMS, LT2

CABALLOS DE FUERZA	VOLTAJE	AMPERAJE DE CARGA MÁX.	AMPERAJE NOMINAL DEL FUSIBLE DE DERIVACIÓN	DISTANCIA EN PIES (METROS) DEL MOTOR AL SUMINISTRO			
				0-100 (0-30)	101-200 (31-61)	201-300 (62-91)	301-400 (92-122)
				MEDIDA DEL CABLE AWG (MM ²)			
3/4	115/230	14.8/7.4	20/15	12/14 (3/2)	8/14 (8.4/2)	6/14 (14/2)	6/12 (14/3)
1	115/230	19.2/9.6	25/15	10/14 (5.5/2)	8/14 (8.4/2)	6/12 (14/3)	4/10 (21/5.5)
1-1/2	115/230	24.0/12.0	30/15	10/14 (5.5/2)	6/14 (14/2)	6/12 (14/3)	4/10 (21/5.5)

SERIES MS, MVPH

CABALLOS DE FUERZA	VOLTAJE	AMPERAJE DE CARGA MÁX.	AMPERAJE NOMINAL DEL FUSIBLE DE DERIVACIÓN	DISTANCIA EN PIES (METROS) DEL MOTOR AL SUMINISTRO			
				0-100 (0-30)	101-200 (31-61)	201-300 (62-91)	301-400 (92-122)
				MEDIDA DEL CABLE AWG (MM ²)			
3/4	115/230	14.8/7.4	20/15	12/14 (3/2)	8/14 (8.4/2)	6/14 (14/2)	6/12 (14/3)
1	115/230	18.4/9.2	30/20	10/14 (5.5/2)	8/14 (8.4/2)	6/12 (14/3)	4/10 (21/5.5)
1-1/2	230	12	15	14 (2)	14 (2)	12 (3)	10" [5.5]
2	230	11.5	15	14 (2)	14 (2)	12 (3)	10" [5.5]

SERIE HJ

CABALLOS DE FUERZA	VOLTAJE	AMPERAJE DE CARGA MÁX.	AMPERAJE NOMINAL DEL FUSIBLE DE DERIVACIÓN	DISTANCIA EN PIES (METROS) DEL MOTOR AL SUMINISTRO			
				0-100 (0-30)	101-200 (31-61)	201-300 (62-91)	301-400 (92-122)
				MEDIDA DEL CABLE AWG (MM ²)			
1/2	115/230	11.2/5.6	20/15	12/14 (3/2)	10/14 (5.5/2)	8/14 (8.4/2)	6/12 (14/3)
3/4	115/230	14.8/7.4	20/15	12/14 (3/2)	8/14 (8.4/2)	6/14 (14/2)	6/12 (14/3)
1	115/230	18.6/9.3	25/15	10/14 (5.5/2)	8/14 (8.4/2)	6/12 (14/3)	4/10 (21/5.5)

PREPARACIÓN PARA PONER EN MARCHA LA BOMBA: POZO PROFUNDO

PREPARACIÓN PARA PONER EN MARCHA LA BOMBA

⚠ ADVERTENCIA NUNCA HAGA FUNCIONAR LA BOMBA CON LA DESCARGA CERRADA. Si lo hace, el agua en el interior de la bomba se puede hervir, lo que puede causar una presión peligrosa en la unidad, riesgo de explosión y posiblemente quemaduras en las personas que manipulen la bomba.

⚠ PRECAUCIÓN NUNCA HAGA FUNCIONAR LA BOMBA EN SECO. Hacer funcionar la bomba sin agua puede causar que la bomba se sobrecaliente, lo que dañará las juntas y posiblemente cause quemaduras a las personas que manipulen la bomba. Llene la bomba con agua antes de comenzar.

1. Abra la válvula de control tanto como sea posible (ver Figura 12). Luego retire el tapón de cebado de la bomba y llene la bomba, llene todas las tuberías entre la bomba y el pozo, y asegúrese de que todas las tuberías que se encuentran en el pozo estén llenas. Si también instaló un conector de cebado en T en la tubería de succión, quite el tapón del conector en T y llene la tubería de succión.

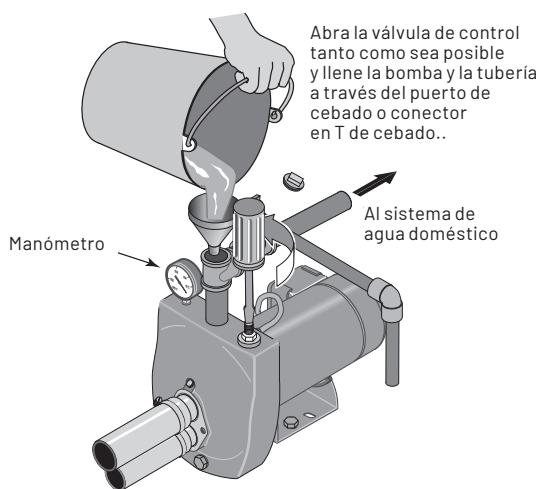


Figura 12: Llene la bomba

2. Vuelva a colocar todos los tapones de llenado y cierre completamente la válvula de control (Figura 13).

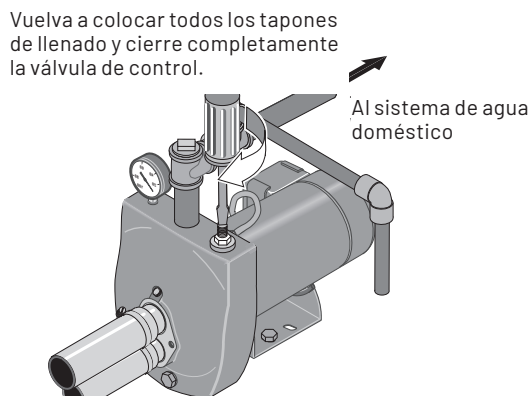


Figura 13: Ceba la bomba

3. ¡Encienda! Ponga en marcha la bomba y observe el manómetro. La presión debería aumentar rápidamente a 50 PSI a medida que se ceba la bomba.
4. Después de 2 o 3 minutos, el manómetro debe mostrar presión. De lo contrario, detenga la bomba, retire los tapones de llenado, vuelva a abrir la válvula de control y vuelva a llenar la bomba y la tubería. Es posible que tenga que repetir esto dos o tres veces para sacar todo el aire atrapado en la tubería. Recuerde cerrar la válvula de control cada vez que encienda la bomba.
5. Cuando la presión se haya acumulado y estabilizado en alrededor de 50 PSI, abra lentamente la válvula de control (ver Figura 14) y deje que la presión descienda hasta que la aguja del manómetro comience a oscilar. Cuando la aguja oscile, cierre la válvula lo suficiente para detener la oscilación (ver Figura 14). Su bomba ahora está funcionando en su punto más eficiente.

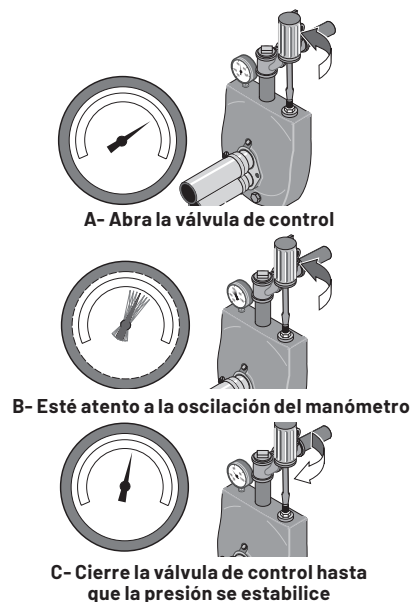


Figura 14: Ajuste la válvula de control

6. Después de que la bomba haya acumulado presión en el sistema y se apague, compruebe el funcionamiento del interruptor de presión abriendo uno o dos grifos y dejando correr suficiente agua para purgar la presión hasta que arranque la bomba. La bomba debería arrancar cuando la presión descienda a 30 PSI y detenerse cuando la presión alcance los 50 PSI. Haga funcionar la bomba durante uno o dos ciclos completos para verificar el funcionamiento correcto. Esto también ayudará a limpiar el sistema de suciedad y sarro que se haya desprendido durante la instalación.

NOTA: El sistema de chorro (pozos de tubería simple de 2" y 3") no forma un sellado perfecto. Las irregularidades normales en la copa de cuero y las paredes internas de la carcasa permitirán que la presión en un sistema inactivo tenga fugas con el tiempo. Esto hará que la bomba inicie ciclos periódicamente para mantener el nivel de presión del sistema.

PREPARACIÓN PARA PONER EN MARCHA LA BOMBA: POZO POCO PROFUNDO

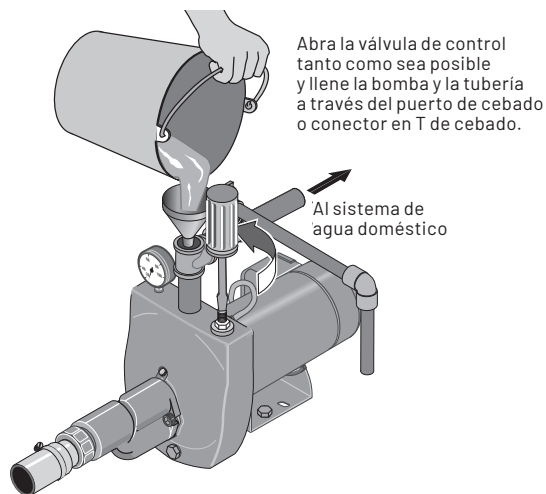
PREPARACIÓN PARA PONER EN MARCHA LA BOMBA

⚠ PRECAUCIÓN NUNCA HAGA FUNCIONAR LA BOMBA EN SECO.

Hacer funcionar la bomba sin agua puede causar que la bomba se sobrecaliente, lo que dañará las juntas y posiblemente cause quemaduras a las personas que manipulen la bomba. Llene la bomba con agua antes de comenzar.

⚠ ADVERTENCIA NUNCA HAGA FUNCIONAR LA BOMBA CON LA DESCARGA CERRADA. Si lo hace, el agua en el interior de la bomba se puede hervir, lo que puede causar una presión peligrosa en la unidad, riesgo de explosión y posiblemente quemaduras en las personas que manipulan la bomba.

1. Abra la válvula de control tanto como sea posible (ver Figura 15). Luego retire el tapón de cebado de la bomba y llene la bomba, llene todas las tuberías entre la bomba y el pozo, y asegúrese de que todas las tuberías que se encuentran en el pozo estén llenas. Si también instaló un conector de cebado en T en la tubería de succión, quite el tapón del conector en T y llene la tubería de succión.



2411 0497

Figura 15: Abra la válvula de control

2. Vuelva a colocar todos los tapones de llenado. Deje la válvula de control abierta (en una instalación de pozo poco profundo, la válvula de control siempre permanece abierta).
3. ¡Encienda! Ponga en marcha la bomba. La bomba debería bombear agua en dos o tres minutos.
4. Si no tiene agua después de 2 o 3 minutos, detenga la bomba y retire los tapones de llenado. Vuelva a llenar la bomba y la tubería. Es posible que tenga que repetir esto dos o tres veces para sacar todo el aire atrapado en la tubería. La válvula de control permanece abierta durante todo este procedimiento.
5. Después de que la bomba haya acumulado presión en el sistema y se apague, compruebe el funcionamiento del interruptor de presión abriendo uno o dos grifos y dejando correr suficiente agua para purgar la presión hasta que arranque la bomba. La bomba debería arrancar cuando la presión descienda a 30 PSI y detenerse cuando la presión alcance los 50 PSI. Haga funcionar la bomba durante uno o dos ciclos completos para verificar el funcionamiento correcto. Esto también ayudará a limpiar el sistema de suciedad y sarro que se haya desprendido durante la instalación.

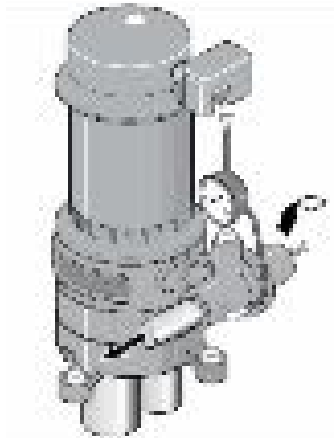


Figura 16A: Cierre el regulador

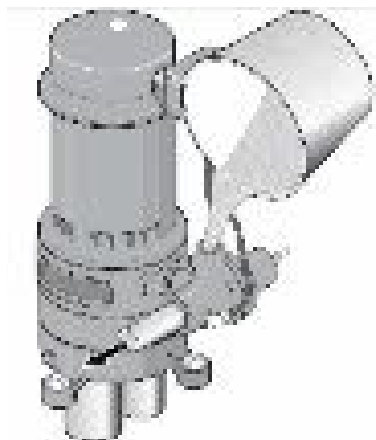


Figura 16B: Llène la bomba con agua



Figura 16C: Ponga en marcha la bomba

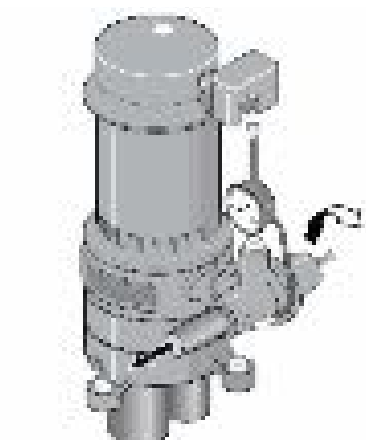


Figura 16D: Regulador de ajuste

PREPARACIÓN PARA PONER EN MARCHA LA BOMBA

⚠ PRECAUCIÓN NUNCA HAGA FUNCIONAR LA BOMBA EN SECO.

Hacer funcionar la bomba sin agua puede causar que la bomba se sobrecaliente, lo que dañará las juntas y posiblemente cause quemaduras a las personas que manipulan la bomba. Llène la bomba con agua antes de comenzar.

⚠ ADVERTENCIA NUNCA HAGA FUNCIONAR LA BOMBA

CON LA DESCARGA CERRADA. Si lo hace, el agua en el interior de la bomba se puede hervir, lo que puede causar una presión peligrosa en la unidad, riesgo de explosión y posiblemente quemaduras en las personas que manipulan la bomba.

NOTA: Abra los grifos del sistema de agua antes de cebar la bomba por primera vez.

1. Retire el manómetro.
 - a. Cierre la válvula reguladora (gírela en el sentido horario; ver Figura 16).
 - b. Llène con agua la bomba y la tubería de succión (Figura 16).
 - c. Vuelva a colocar el manómetro, usando cinta selladora de roscas de tubería de PTFE en la rosca; ajústelo.

IMPORTANTE: Si se proporcionó un conector en T de cebado y un tapón para un tramo largo horizontal, asegúrese de llenar la tubería de succión a través de este conector en T y vuelva a colocar el tapón. (Recuerde sellar el tapón con cinta selladora de roscas de PTFE).

2. Ponga en marcha la bomba: la presión debería acumularse rápidamente hasta 50 libras por pulgada cuadrada o más a medida que se ceba el eyector y la bomba.

SI NO HAY PRESIÓN O NO HAY AGUA, REPITA el Paso n.º 1 (arriba) dos o tres veces para eliminar el aire atrapado en las tuberías de succión.

3. Si, después de cebar la bomba varias veces, no se bombea agua, verifique lo siguiente:
 - a. Que el tubo de succión esté en el agua y no tenga fugas. **NOTA:** El aire puede filtrarse incluso por donde el agua no se filtra. Asegúrese de que todas las juntas estén bien apretadas.
 - b. Que la válvula de control, la válvula de retención o la válvula de pie estén instaladas y funcionando correctamente.
 - c. Que la bomba no esté intentando elevar el agua más de 25 pies (pozo poco profundo) o una elevación superior a la nominal para el eyector para pozo profundo utilizado (incluida la compensación por desplazamiento horizontal).
 - d. Asegúrese de que la bomba no esté bloqueada por aire. En instalaciones desplazadas, el puerto de succión de la bomba debe ser el punto más alto en la tubería de succión; no debe haber hundimientos en la tubería de succión (debe estar dispuesta en línea recta y con un ligero ángulo hacia arriba desde la boca del pozo hasta la bomba).

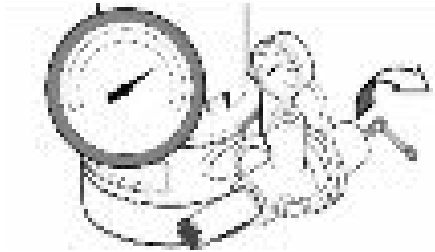


Figura 17A: Abra la válvula reguladora

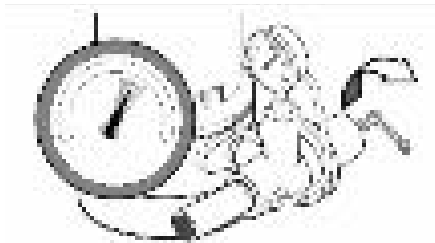


Figura 17B: Esté atento a la oscilación del manómetro

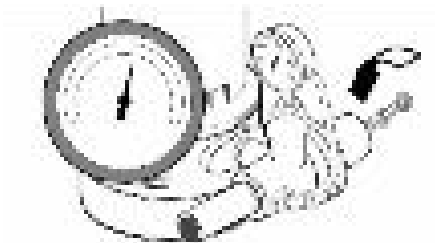


Figura 17C: Cierre la válvula reguladora hasta que se estabilice la presión

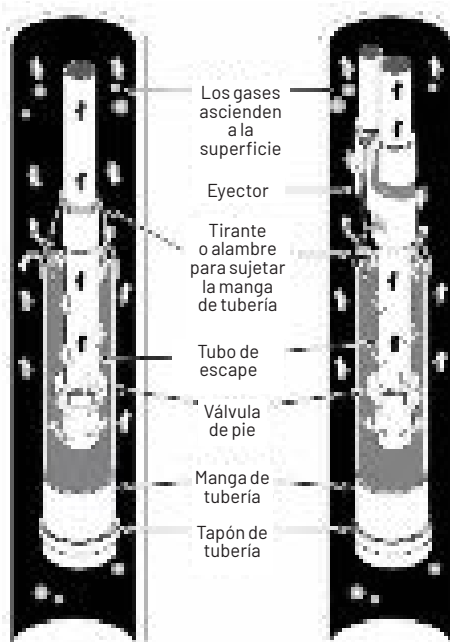


Figura 18: Control de gases/aire en el pozo

4. Una vez que la unidad se haya cebado y la presión se haya estabilizado, abra lentamente (gire en sentido antihorario - Figura 17A) la válvula reguladora hasta que la presión descienda (la aguja del manómetro oscila; la bomba puede volverse ruidosa - Figura 17B). En este punto, cierre (gire en sentido horario) la válvula reguladora ligeramente hasta que la presión se estabilice. Esta configuración proporciona el flujo máximo (Figura 17C).
5. La bomba puede aspirar lo suficiente en este punto como para perder su cebado. Si es así, cierre la válvula reguladora hasta que la presión sea estable durante todo el ciclo de bombeo. Cierre los grifos y permita que la bomba presurice el tanque y se apague.
6. Revise el sistema abriendo y cerrando alternadamente los grifos del sistema. Con los grifos abiertos, la presión descenderá hasta que arranque la bomba; con los grifos cerrados, la presión se acumulará hasta que la bomba se apague.
7. Hay condiciones de funcionamiento de pozos profundos en las que la válvula reguladora puede estar completamente abierta sin que la presión varíe. En este caso, haga funcionar la bomba con la válvula reguladora abierta.

CÓMO MANEJAR UN POZO GASEOSO

En algunas áreas, el agua de pozo contiene gases que se deben dejar salir antes de usar el agua. Para una salida de agua sin gases, suspenda una tubería, cerrada en la parte inferior y abierta en la parte superior, de modo que rodee la entrada de la tubería de succión (ver Figura 18). Dado que los gases ascienden por el revestimiento del pozo, el agua succionada a través de la tubería hacia la bomba de succión está libre de gases. Este tipo de pozo debe ventilarse hacia el exterior de cualquier encerramiento.

CONTROL DE AIRE EN POZOS QUE FLUYEN

Los pozos que fluyen o los pozos con poca o ninguna reducción del nivel podrían crear un problema especial en el control del aire en el funcionamiento de su sistema de tanque estándar. En tales casos, se recomienda un tanque precargado (que no necesita control de aire).

MANTENIMIENTO

MODELOS HJ Y HJA

⚠ ADVERTENCIA RIESGO DE SHOCK ELÉCTRICO

Puede electrocutar, quemar o causar la muerte. Para protegerse contra lesiones personales accidentales, se debe desconectar la alimentación eléctrica de la bomba y drenar el tanque de presión antes de realizar el servicio de mantenimiento de la bomba.

CÓMO DESMANTELAR (HJ PARA POZO PROFUNDO)

1. Desconecte la alimentación y drene el tanque de presión antes de desmantelar la bomba.
2. Desconecte el tubo del interruptor de presión, retire los pernos de la carcasa de la bomba y del soporte de los pernos de la base.
3. Use un destornillador pesado detrás de los rebordes de los pernos y saque el soporte del motor de la carcasa.
4. Quite los pernos de la placa difusora y saque el difusor (Figura 19). Cuando reemplace el difusor, use tres calzas de 0.010" de espesor igualmente espaciadas entre el ojo del impulsor y el difusor para evitar que el impulsor roce el difusor y se atasque.

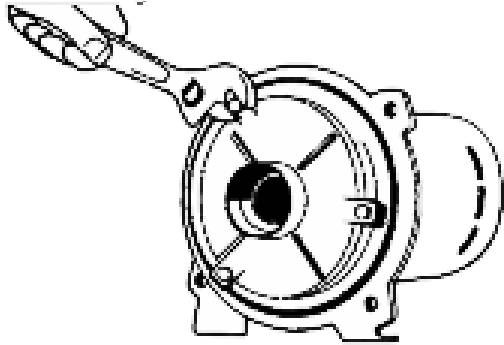


Figura 19: Retire la placa difusora

5. Retire el impulsor sujetando el eje de la bomba con unas pinzas pico de loro y desenroscando el impulsor, con la mano izquierda en sentido antihorario mirando hacia el impulsor para retirarlo (Figura 20). El impulsor también se puede quitar levantando la tapa del extremo del eje del motor. Utilice un destornillador en la ranura del extremo del eje o una llave de boca abierta de 7/16" en las partes planas del eje y sosténgalo para evitar que el eje gire. Desenrosque el impulsor en sentido antihorario.

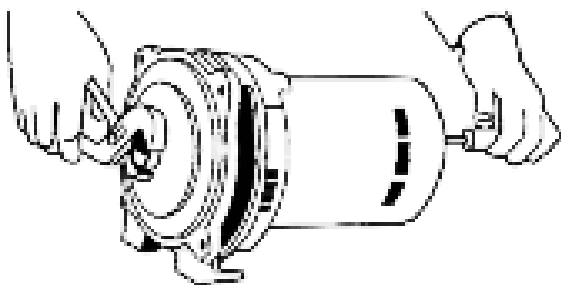


Figura 20: Retire el impulsor

6. Con dos destornilladores, como se muestra en la Figura 21, extraiga el ensamblaje giratorio de la junta del eje.

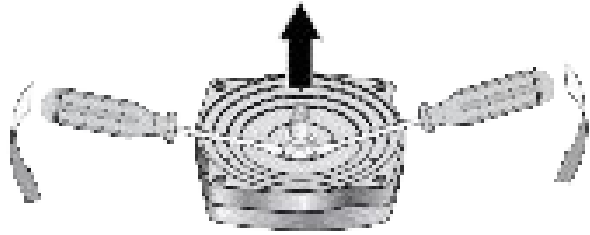


Figura 21: Saque la junta

7. El eje de la bomba es una extensión del eje del motor, por lo que no es necesario reemplazarlo ni ajustarlo a la posición de la junta.
8. Retire los 4 pernos que sujetan el motor al soporte y retire el motor.

CÓMO DESMANTELAR (HJ PARA POZO POCO PROFUNDO)

1. Desconecte la alimentación y drene el tanque de presión antes de desmantelar la bomba.
2. Retire los pernos de la carcasa y saque el soporte de la carcasa de la bomba.
3. Retire la rejilla y la placa difusora de plástico. Cuando reemplace el difusor, use tres calzas de .010" de espesor igualmente espaciadas entre el ojo del impulsor y el difusor para evitar que el impulsor roce el difusor y se atasque.
4. En los modelos de 1/2 HP, sostenga el impulsor con pinzas y desenrosque el tubo venturi. En los modelos de 3/4 y 1 HP, el tubo venturi se enrosca en la carcasa de la bomba (figura 13).

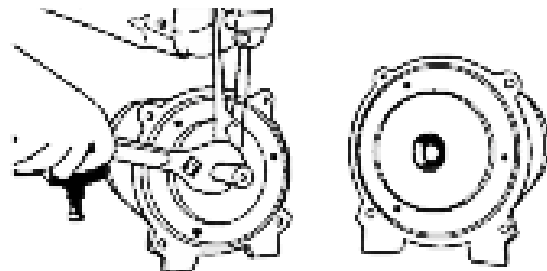


Figura 22: Retire el venturi

5. Sostenga el eje de la bomba con pinzas y desenrosque el impulsor como se muestra (Figura 22).
6. Cuando reemplace el impulsor, lime cualquier corte de las pinzas en el eje hasta que quede liso después de ajustarlo en su lugar.
7. La rejilla de cebado debe colocarse con el hoyuelo hacia abajo. ESTO ES IMPORTANTE PARA UN CEBADO ADECUADO. NO SE OLVIDE DE COLOCAR ESTA REJILLA.
8. La boquilla en los modelos de 1/2 HP se puede quitar de la carcasa de la bomba con cualquier llave de tubo estándar de 1-1/4" con una extensión (Figura 14). En los modelos de 3/4 y 1 HP, el tubo venturi y la boquilla se pueden quitar de la misma manera usando un tubo de 27/32" para el venturi y un tubo de 9/16" con extensión para la boquilla.

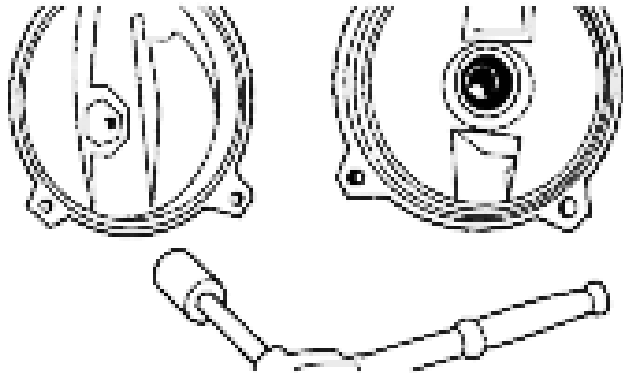


Figura 23: Retire la boquilla

9. Cuando reemplace la boquilla y el venturi, asegúrese de que estén apretados contra el hombro. Tenga cuidado de no cruzar la rosca. Si la boquilla no está completamente conectada a la carcasa, el flujo se bloqueará por la entrada del venturi.
10. Retire los 4 pernos que sujetan el motor al soporte y retire el motor.

REEMPLAZO DE LA JUNTA MECÁNICA

1. La junta utilizada en todas las unidades HJ tiene un tamaño de 5/8".
2. Esta junta consta de dos partes:
 - a. Ensamblaje giratorio, resorte de acero inoxidable, virola de accionamiento con aro de goma y aro de sellado de carbono.
 - b. Aro de sellado estacionario de cerámica montado en copa de goma sintética.
3. Siempre reemplace tanto el ensamblaje giratorio como la junta estacionaria de cerámica. **NO UTILICE EL ASIENTO ESTACIONARIO VIEJO CON UNA JUNTA DE ENSAMBLAJE GIRATORIO NUEVA.**
4. El aro de cerámica viejo se puede quitar de la carcasa rompiéndolo con un cincel o un destornillador sin quitar el eje de la bomba.
5. La carcasa y el eje deben estar limpios y libres de arena y suciedad antes de colocar la junta nueva. Lave las piezas con agua limpia.
6. Coloque la junta estacionaria de cerámica en la carcasa. Presione solo con los dedos.
7. Coloque la unidad de ensamblaje giratorio en el eje, el aro de carbón hacia el asiento de cerámica, y presiónela con los dedos.
8. La suciedad en las caras de la junta puede provocar fallas.

Todas las piezas de bombeo de la unidad se pueden quitar de la carcasa sin perturbar las tuberías del pozo o del tanque.

MODELOS HR

CÓMO DESMANTELAR (HR PARA POZO PROFUNDO)

1. Desconecte la alimentación y drene el tanque de presión antes de desmantelar la bomba.
2. Desconecte el tubo del interruptor de presión, retire los 4 tornillos con cabeza y separe la carcasa de la bomba de la placa de sellado.
3. Retire los 3 tornillos con cabeza que sujetan el difusor a la placa de sellado y retire el difusor. Cuando reemplace el difusor, use tres calzas de .010" de espesor igualmente espaciadas entre el ojo del impulsor y la abertura del difusor. Esto centra el difusor y evita el roce del impulsor (Figura 24).

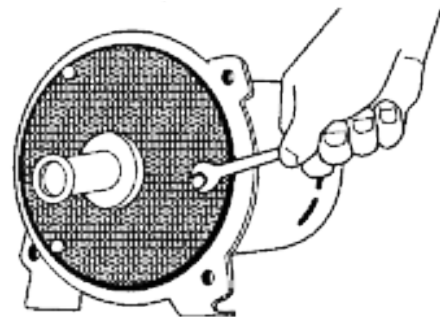


Figura 24: Retire el difusor

4. Retire el impulsor sujetando el eje de la bomba con un destornillador colocado en el extremo ranurado del eje del motor y girando el impulsor en sentido antihorario (Figura 25).

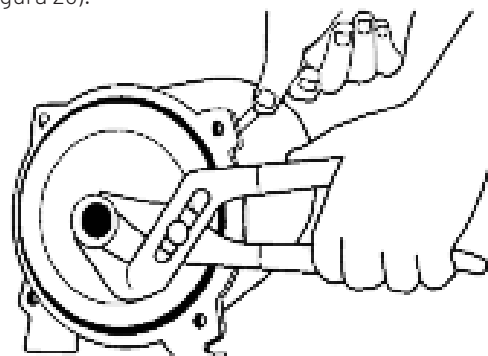


Figura 25: Retire el impulsor

5. Retire el ensamblaje giratorio de la junta del eje.
6. Ahora se puede quitar la placa de sellado.
7. La junta estacionaria de cerámica se puede sacar usando una espiga de 3/4".

CÓMO DESMANTELAR (HR PARA POZO POCO PROFUNDO)

1. Desconecte la alimentación y drene el tanque de presión antes de desmantelar la bomba.
2. Desconecte el tubo del interruptor de presión, retire los 4 tornillos con cabeza y separe la carcasa de la bomba de la placa de sellado.
3. Retire los 3 tornillos con cabeza que sujetan el difusor a la placa de sellado y retire el difusor. Cuando reemplace el difusor, use tres calzas de .010" de espesor igualmente espaciadas entre el ojo del impulsor y la abertura del difusor. Esto centra los difusores y evita el roce del impulsor (Figura 25).
4. En los modelos de 1/2 HP, desenrosque el tubo venturi del impulsor. En los modelos de 3/4 y 1 HP, el tubo venturi se enrosca en la carcasa de la bomba (figura 26).

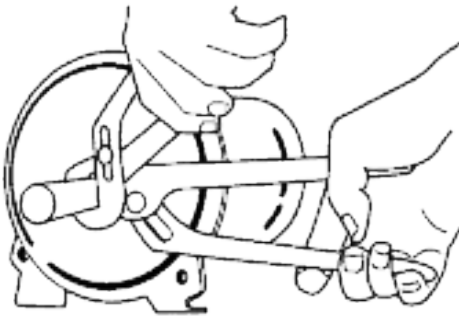


Figura 26: Retire el venturi

5. Retire el impulsor sujetando el eje del motor con un destornillador colocado en el extremo ranurado del eje y girando el impulsor en sentido antihorario.
6. La boquilla en los modelos de 1/2 HP se puede quitar de la carcasa de la bomba con cualquier llave de tubo estándar de 1-1/4" con una extensión (Figura 18). En los modelos de 3/4 y 1 HP, la boquilla es parte de la carcasa de la bomba. Cuando reemplace la boquilla y el venturi, asegúrese de que estén apretados contra el hombro. Tenga cuidado de no cruzar la rosca. Si la boquilla no está completamente conectada a la carcasa, el flujo se bloqueará por la entrada del venturi.

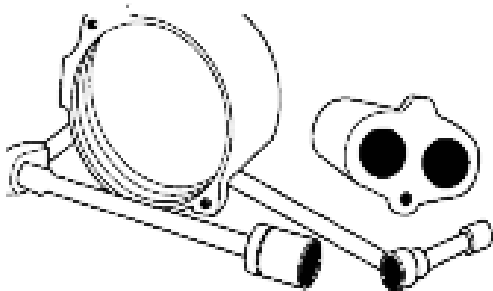


Figura 27: Retire la boquilla

7. Retire el ensamblaje giratorio de la junta del eje.
8. Ahora se puede quitar la placa de sellado.
9. Saque la junta estacionaria de cerámica con una espiga de 3/4".

REEMPLAZO DE LA JUNTA MECÁNICA

Antes de manipular las piezas de la junta del eje, asegúrese de tener las manos limpias. Siempre reemplace tanto la junta estacionaria de cerámica como el ensamblaje giratorio.

1. Limpie el eje y la cavidad de la junta con agua.
2. Lubrique la cavidad de la junta y la copa de goma de la junta estacionaria de cerámica con agua jabonosa.
3. Presione el asiento estacionario de cerámica contra la carcasa. Presione solo con los dedos.
4. Instale la placa de sellado en el motor. Tenga cuidado de no rayar la junta de cerámica.
5. Coloque el ensamblaje giratorio en el eje, el aro de carbón hacia el asiento de cerámica, y presiónelo con los dedos. La cara de carbón debe lubricarse con agua jabonosa.
6. Instale el impulsor. Ajuste con un destornillador sujetando el eje.

Todas las piezas de bombeo de la unidad se pueden quitar de la carcasa sin perturbar las tuberías del pozo o del tanque.

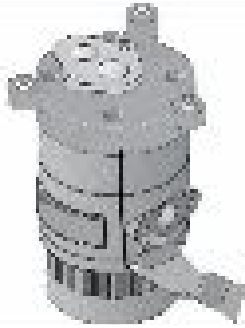


Figura 28

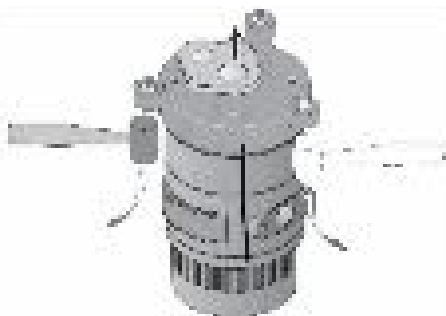


Figura 29

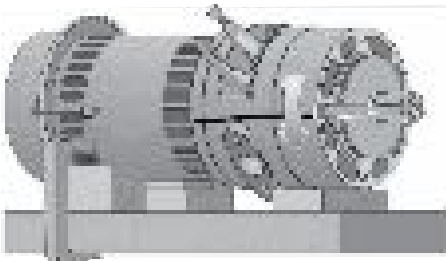


Figura 30

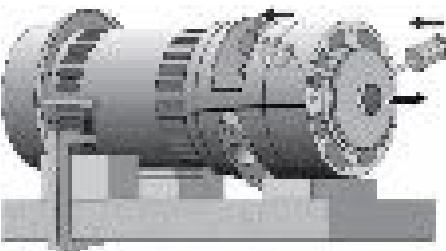


Figura 31



Figura 32

CÓMO DESMANTELAR (HR PARA POZO POCO PROFUNDO)

1. Tire del interruptor de desconexión. Desconecte las líneas eléctricas del interruptor de presión.
2. Retire los dos tornillos con cabeza que sujetan la bomba al adaptador de brida. No toque nada en la tubería en el pozo.
3. Retire la junta del adaptador de brida y raspe las superficies para limpiarlas.
4. Dejando el tubo en su lugar, desatornille y retire el conector dentado recto en el interruptor de presión.
5. Dibuje una línea por el costado de la bomba con un marcador para facilitar la alineación durante el reensamblaje. Marque la bomba desde el motor hasta la voluta de la base (ver Figura 28).
6. Voltee la bomba boca abajo sobre el banco y bloquéela. Retire los cuatro tornillos con cabeza de la base. Con un mazo, golpee hacia arriba en la base para aflojarla. Levante la base de la voluta intermedia (ver Figura 29).
7. Para reducir la posibilidad de que se le caiga la bomba sobre el pie, recuéstela sobre un banco y bloquéela para que no ruede.
8. Sostenga el eje del motor con pinzas o mordazas a través de la abertura en el adaptador de la bomba. Desenrosque la tuerca del impulsor del extremo del eje (ver Figura 30).
9. Los impulsores están enchavetados al eje y no se desatornillan. Inserte dos destornilladores en lados opuestos debajo del impulsor expuesto y saque el impulsor haciendo palanca (Figura 31).
10. Golpee cuidadosamente con un destornillador pequeño o un cincel de hoja delgada entre la voluta intermedia y el adaptador de la bomba en dos o tres lugares alrededor de la bomba para separar las piezas fundidas (Figura 32). No dañe las superficies de sellado; no rompa el adaptador o la voluta; las piezas fundidas se dañan fácilmente.
11. Retire la voluta intermedia y deslice el espaciador del impulsor para sacarlo del eje.
12. Retire el impulsor. No toque las chavetas del eje si solo está reemplazando la junta.
13. Gire la copa de retención del resorte de la junta de modo que la ranura quede alineada con las chavetas del eje; retire la copa y el resorte.
14. Retire los dos tornillos con cabeza que sujetan el soporte del adaptador al motor.
15. Con dos destornilladores en lados opuestos de la bomba, saque con cuidado el adaptador de la bomba del motor. Esto hará que la junta salga del eje del motor. Asegúrese de que la junta de cerámica no se hunda en el eje y raye la superficie de sellado del eje.

INSTALACIÓN DE UNA JUNTA NUEVA

1. Limpie bien todas las superficies de la junta antes de volver a ensamblar. Limpie la cavidad del orificio de la junta en el adaptador de la bomba.
2. Humedezca el aro de asiento de goma con agua jabonosa y empuje la parte estacionaria de la junta dentro de la cavidad del orificio de la junta. Use un trozo de tubo de 1" y haga presión sobre una arandela de cartón (para evitar dañar la superficie de la junta) como prensa. Asegúrese de que la mitad de la junta esté completamente asentada en la cavidad del orificio de la junta. Retire el cartón una vez que la junta esté en su lugar.

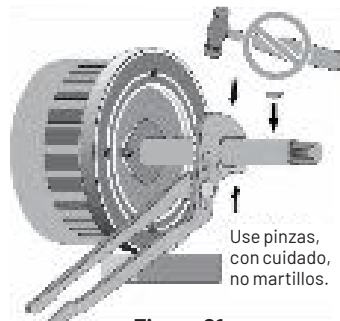


Figura 21

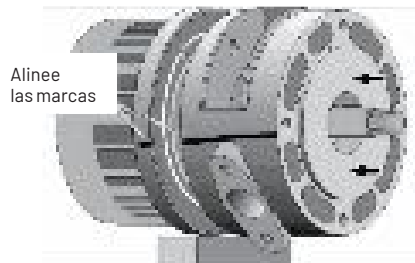


Figura 22

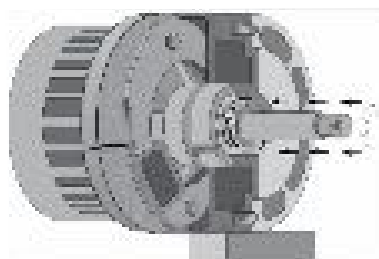


Figura 23

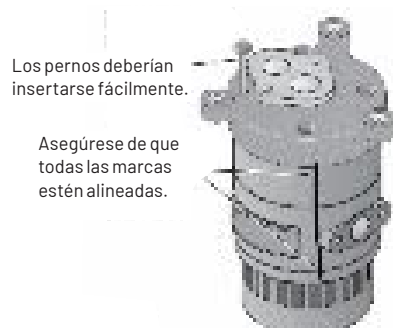


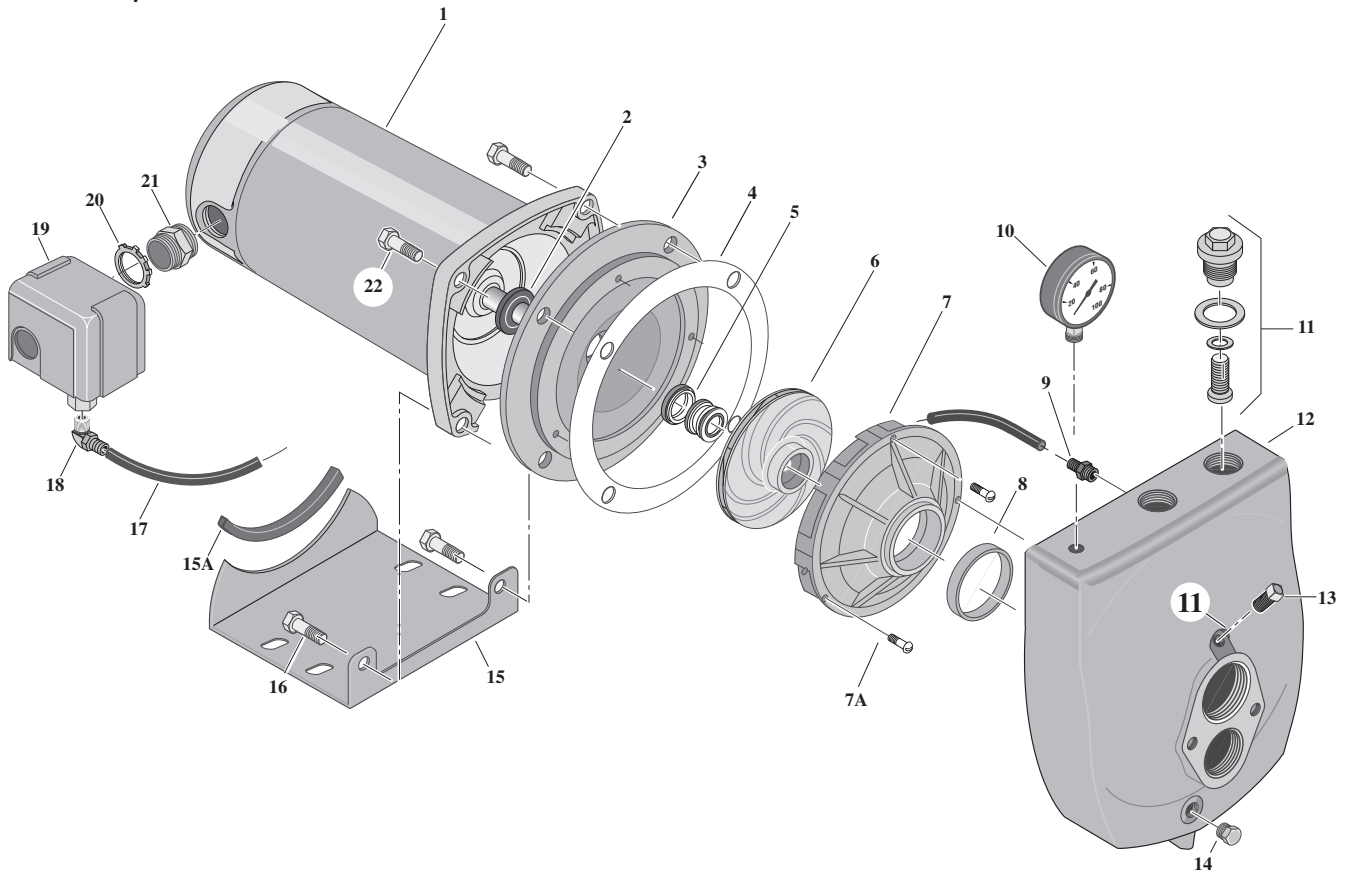
Figura 24

3. Asegúrese de que las chavetas del eje estén en su lugar. Si no lo están, ajústelas en su lugar ahora con unas pinzas. No las golpee ni martille; podría doblar el eje (ver Figura 21). Cuando las chavetas estén correctamente instaladas, el adaptador pasará sobre las chavetas sin interferencias.
4. Deslice con cuidado el adaptador sobre el eje (ver Figura 22). No dañe la superficie de sellado del eje; está muy pulida y cualquier leve rasguño o muesca la arruinará.
5. Usando las marcas de alineación hechas antes del desmontaje, alinee el adaptador con el motor y atornille el adaptador en su lugar. Ajuste los tornillos con cabeza uniformemente.
6. Empuje la junta del eje y el resorte de la junta en el eje, después de asegurarse de que las caras de la junta y el eje estén limpios. Tenga cuidado de que el eje no dañe la cara de carbón de la junta. Siga el resorte de la junta con el soporte del resorte; comprima el resorte y dé un cuarto de vuelta al soporte del resorte para trabarlo debajo de la primera chaveta del eje (ver Figura 23).
7. Deslice el primer impulsor sobre el eje; sígalo con el espaciador del impulsor. Gire el impulsor sobre el eje para asegurarse de que la chaveta del eje todavía esté en su lugar y de que el impulsor esté asegurado al eje (el eje debe girar con el impulsor).
8. Instale una junta de voluta nueva, alineando los orificios para los pernos con los orificios para los pernos en el adaptador. Asegúrese de que la junta esté con el lado correcto hacia arriba para que los orificios de paso del agua se alineen con los pasos de agua en las volutas.
9. Instale la voluta intermedia, alineándola con la marca hecha antes del desmontaje. Use los tornillos de cabeza largos para verificar esta alineación. Nunca está de más resaltar que todos los orificios para pernos y los conductos de agua de todas las juntas y volutas DEBEN alinearse entre sí, o la bomba no se ensamblará correctamente.
10. Asegúrese de que la segunda chaveta del eje esté en su lugar e instale el segundo impulsor. Gire el impulsor para asegurarse de que la chaveta del eje aún esté en su lugar. Sujete el eje del motor con pinzas o mordazas, e instale y ajuste la contratuerca del impulsor. Al ajustar la contratuerca, automáticamente el impulsor queda espaciado correctamente. No ajuste demasiado.
11. Instale la junta de la voluta de la base. Asegúrese de que la junta esté con el lado correcto hacia arriba para que los orificios de paso del agua se alineen con los pasos de agua en las volutas. Instale la voluta de la base utilizando las marcas de alineación realizadas antes del desmontaje. Asegúrese de que la descarga de la bomba coincida correctamente con la tubería cuando se vuelva a instalar la bomba.
12. Inserte los cuatro tornillos con cabeza de la base y ajústelos uniformemente (ver Figura 24). Deberían instalarse fácilmente si todo está correctamente alineado. Si no, no los fuerce; vuelva a revisar su trabajo y encuentre y corrija la desalineación.
13. Vuelva a instalar el conector dentado del interruptor de presión y el tubo de presión.
14. Vuelva a instalar la bomba en la brida de adaptación (utilice una junta nueva) y vuelva a conectar el cableado y la puesta a tierra. La bomba ahora está lista para funcionar.

PÁGINA DEJADA EN BLANCO INTENCIONALMENTE

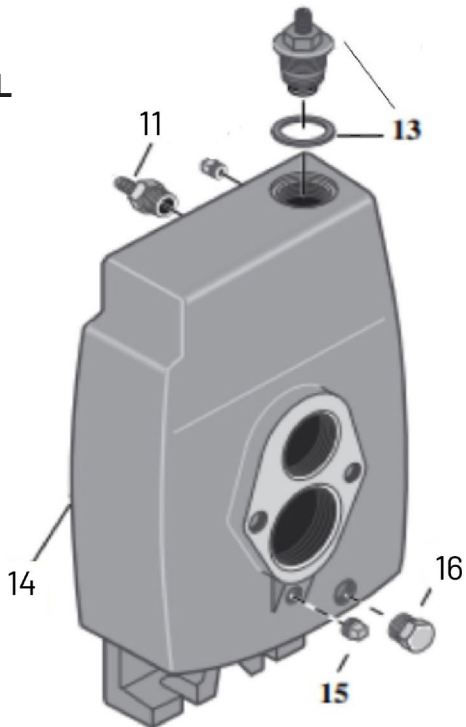
ÍNDICE DE PARTES

SERIES SL, HL



1623 0497

SERIE FL



ÍNDICE DE PARTES - SERIES SL, HL, FL

MODELOS STA-RITE

N.º DE REF.	DESCRIPCIÓN DE LA PARTE	CANT.	SLC-L	SLD-L	SLE-L	SLF-L	HLC-L
			1/2 HP	3/4 HP	1 HP	1-1/2 HP	1/2 HP
1	Motor	1	J218-1651	J218-1652	J218-1653	J218-1655	J218-1652
2	Tornillo de cabeza hexagonal - 3/8" - 16 x 1-1/4" de largo	2	U30-75ZP	U30-75ZP	-	-	U30-75ZP
2	Tornillo de cabeza hexagonal - 3/8" - 16 x 1-1/2" de largo	2	-	-	U30-76ZP	U30-76ZP	-
3	Deflector de agua	1	17351-0009	17351-0009	17351-0009	17351-0009	17351-0009
4	Placa de sellado	1	N3-9	N3-9	L3-10	L3-10	N3-9
5	Junta de la placa de sellado	1	N20-35N	N20-35N	C20-21N	C20-21N	N20-35N
6	Junta del eje	1	U109-6B	U109-6B	U109-6B	U109-6B	U109-6B
7	Impulsor	1	J105-40P	J105-86P	J105-85P	J105-22PA	J105-86P
8	Difusor	1	L1-25P	L1-25P	L1-47P	L1-23P	L1-25P
9	Tornillos del difusor	3	-	-	U30-489SS	U30-489SS	-
10	Junta del difusor	1	L21-1	L21-1	L21-1	L21-1	L21-1
11	Conexión rápida - 1/4" NPT	1	U11-217P	U11-217P	U11-217P	U11-217P	U11-217P
11	Conector dentado - Recto - 1/4" NPT	1	-	-	-	-	-
12	Manómetro	1	-	-	-	-	PKG U239-2
13	Ensamblaje de válvula de control	1	01322	01322	L262-5P	L262-5P	1322
14	Cuerpo de la bomba	1	L76-48	L76-48	L76-49	L76-49	L76-48
15	Tapón de tubería - 1/8" cabeza cuadrada	1	U78-56ZPS	U78-56ZPS	U78-56ZPS	U78-56ZPS	U78-56ZPS
16	Tapón de tubería - 1/4" cabeza hexagonal	()	U78-941ZPV (2)	U78-941ZPV (2)	U78-941ZPV (2)	U78-941ZPV (2)	U78-941ZPV (1)
17	Base	1	J104-9F	J104-9F	J4-9C	J4-9C	J104-9F
18	Tornillo de cabeza hexagonal - 3/8" - 16 x 1-1/4" de largo	2	U30-75ZP	U30-75ZP	U30-75ZP	U30-75ZP	U30-75ZP
19	Almohadilla de goma	1	C35-5S	C35-5S	C35-5S	C35-5S	C35-5S
20	Tubo 1/4" D.I.	1	U37-676P	U37-676P	U37-672P	U37-677P	U37-676P
21	Codo de conexión rápida - 1/4" NPT	1	U11-218P	U11-218P	U11-218P	U11-218P	U11-218P
17	Codo dentado - 90° - 1/4" NPT	1	-	-	-	-	-
22	Interruptor de presión	1	U217-1225	U217-1225	U217-1225	U217-1225	U217-1217
23	Contratuercas - 1/2"	1	U36-112ZP	U36-112ZP	U36-112ZP	U36-112ZP	U36-112ZP
24	Conector	1	L43-5C	L43-5C	L43-5C	L43-5C	L43-5C
Kit de sellado (Incluye 3, 5, 6 y 10)			PP1551	PP1551	PP1551	PP1551	PP1551
Kit de reparación (Incluye 3, 5, 6, 7, 8 y 10)			PP1560	PP1566	PP1566	PP1564	PP1566

ÍNDICE DE PARTES - SERIES SL, HL, FL

MODELOS STA-RITE

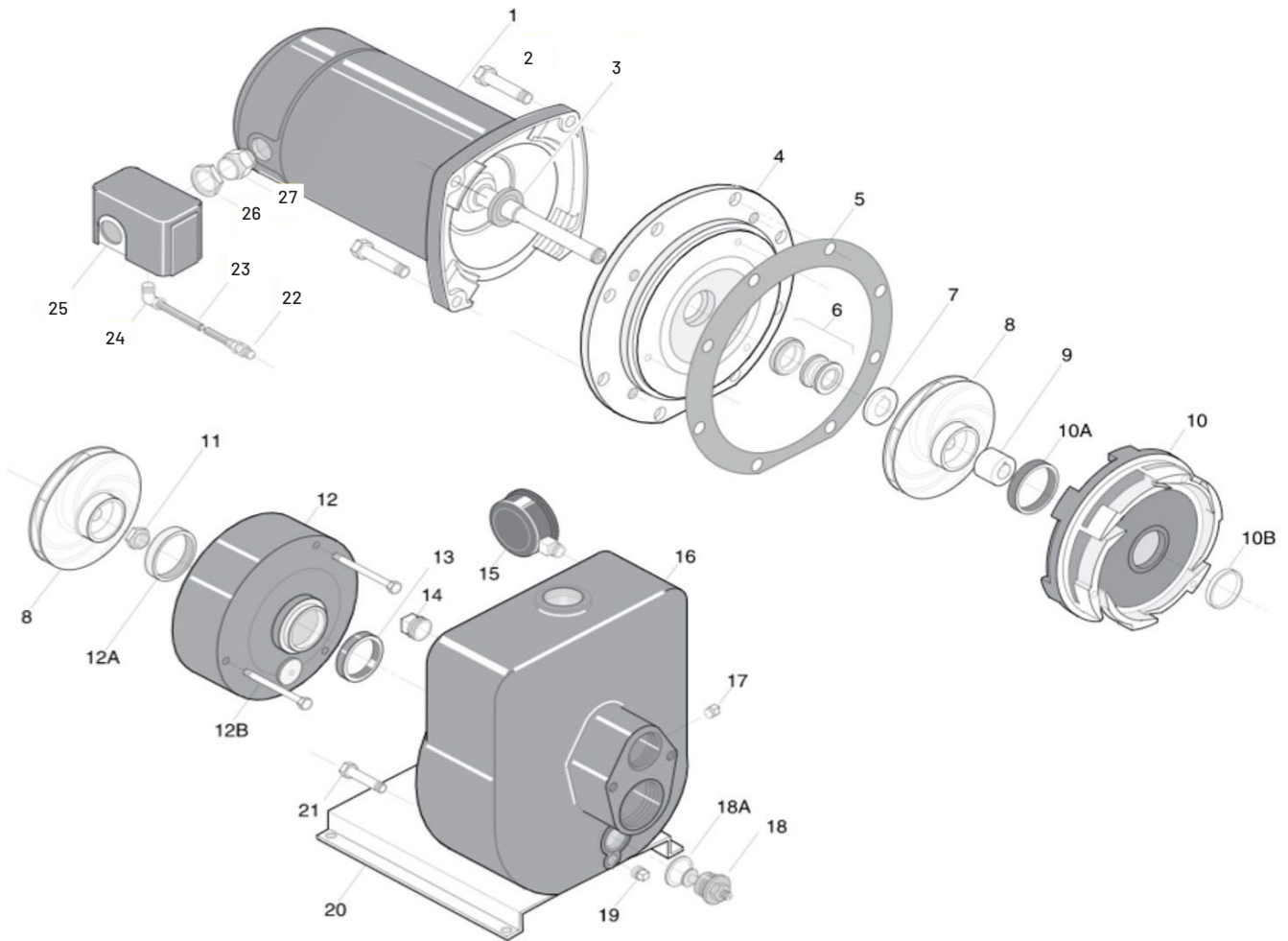
N.º DE REF.	DESCRIPCIÓN DE LA PARTE	CANT.	HLD-L	HLE-L	FLC-L	FSLCH-L	FLD-L	FSLDH-L
			3/4 HP	1 HP	1/2 HP	1/2 HP	3/4 HP	3/4 HP
1	Motor	1	J218-1653	J218-1655	J218-1651-115	J218-1651	J218-1652	J218-1652
2	Tornillo de cabeza hexagonal - 3/8" - 16 x 1-1/4" de largo	2	-	-	U30-75ZP	U30-75ZP	U30-75ZP	U30-75ZP
2	Tornillo de cabeza hexagonal - 3/8" - 16 x 1-1/2" de largo	2	U30-76ZP	U30-76ZP	-	-	-	-
3	Deflector de agua	1	17351-0009	17351-0009	17351-0009	17351-0009	17351-0009	17351-0009
4	Placa de sellado	1	L3-10	L3-10	N3-9	N3-9	N3-9	N3-9
5	Junta de la placa de sellado	1	C20-21N	C20-21N	N20-35N	N20-35N	N20-35N	N20-35N
6	Junta del eje	1	U109-6B	U109-6B	U109-6B	U109-6B	U109-6B	U109-6B
7	Impulsor	1	J105-85P	J105-22PA	J105-40P	J105-40P	J105-86P	J105-42P
8	Difusor	1	L1-47P	L1-23P	L1-25P	L1-25P	L1-25P	L1-25P
9	Tornillos del difusor	3	U30-489SS	U30-489SS	-	-	-	-
10	Junta del difusor	1	L21-1	L21-1	L21-1	L21-1	L21-1	N20-34
11	Conexión rápida - 1/4" NPT	1	U11-217P	U11-217P	-	-	-	-
11	Conector dentado - Recto - 1/4" NPT	1	-	-	U111-211T	U111-211T	U111-211T	U111-211T
12	Manómetro	1	PKG U239-2	PKG U239-2	-	-	-	-
13	Ensamblaje de válvula de control	1	L262-5P	L262-5P	01322	01322	01322	
14	Cuerpo de la bomba	1	L76-49	L76-49	L76-44	L76-44	L76-44	N176-38F
15	Tapón de tubería - 1/8" cabeza cuadrada	1	U78-56ZPS	U78-56ZPS	U78-56ZPS	U78-56ZPS	U78-56ZPS	
16	Tapón de tubería - 1/4" cabeza hexagonal	()	U78-941ZPV (1)	U78-941ZPV (1)	U78-941ZPV (1)	U78-941ZPV (1)	U78-941ZPV (1)	U78-941ZPV (4)
17	Base	1	J4-9C	J4-9C	-	-	-	-
18	Tornillo de cabeza hexagonal - 3/8" - 16 x 1-1/4" de largo	2	U30-75ZP	U30-75ZP	U30-75ZP	U30-75ZP	U30-75ZP	-
19	Almohadilla de goma	1	C35-5S	C35-5S	-	-	-	-
20	Tubo 1/4" D.I.	1	U37-672P	U37-677P	U37-672P	U37-676P	U37-672P	U37-676P
21	Codo de conexión rápida - 1/4" NPT	1	U11-218P	U11-218P	-	-	-	-
17	Codo dentado - 90° - 1/4" NPT	1	-	-	U111-212T	-	U111-212T	-
22	Interruptor de presión	1	U217-1217	U217-1217	U217-1217	U217-1202	U217-1217	U217-1202
23	Contratuerca - 1/2"	1	U36-112ZP	U36-112ZP	U36-112ZP	U36-112ZP	U36-112ZP	U36-112ZP
24	Conector	1	L43-5C	L43-5C	L43-5C	L43-5C	L43-5C	L43-5C
Kit de sellado (Incluye 3, 5, 6 y 10)			PP1551	PP1551	PP1550	PP1550	PP1550	PP1550
Kit de reparación (Incluye 3, 5, 6, 7, 8 y 10)			PP1566	PP1564	PP1560	PP1560	PP1566	PP1566

ÍNDICE DE PARTES - SERIES SL, HL, FL

MODELOS BERKELEY

N.º DE REF.	DESCRIPCIÓN DE LA PARTE	CANT.	5SL	7SL	10SL	15SL	5HL	7HL	10HL
			1/2 HP	3/4 HP	1 HP	1-1/2 HP	1/2 HP	3/4 HP	1 HP
1	Motor	1	J218-1651	J218-1652	J218-1653	J218-1655	J218-1652	J218-1653	J218-1655
2	Tornillo de cabeza hexagonal - 3/8" - 16 x 1-1/4" de largo	2	U30-75ZP	U30-75ZP	-	-	U30-75ZP	-	-
2	Tornillo de cabeza hexagonal - 3/8" - 16 x 1-1/2" de largo	2	-	-	U30-76ZP	U30-76ZP	-	U30-76ZP	U30-76ZP
3	Deflector de agua	1	17351-0009	17351-0009	17351-0009	17351-0009	17351-0009	17351-0009	17351-0009
4	Placa de sellado	1	N3-9	N3-9	L3-10	L3-10	N3-9	L3-10	L3-10
5	Junta de la placa de sellado	1	N20-35N	N20-35N	C20-21N	C20-21N	N20-35N	C20-21N	C20-21N
6	Junta del eje	1	U109-6B	U109-6B	U109-6B	U109-6B	U109-6B	U109-6B	U109-6B
7	Impulsor	1	J105-40P	J105-86P	J105-85P	J105-22PA	J105-86P	J105-85P	J105-22PA
8	Difusor	1	L1-25P	L1-25P	L1-47P	L1-23P	L1-25P	L1-47P	L1-23P
9	Tornillos del difusor	3	-	-	U30-489SS	U30-489SS	-	U30-489SS	U30-489SS
10	Junta del difusor	1	L21-1	L21-1	L21-1	L21-1	L21-1	L21-1	L21-1
11	Conexión rápida - 1/4" NPT	1	U11-217P	U11-217P	U11-217P	U11-217P	U11-217P	U11-217P	U11-217P
11	Conector dentado - Recto - 1/4" NPT	1	-	-	-	-	-	-	-
12	Manómetro	1	-	-	-	-	PKG U239-2	PKG U239-2	PKG U239-2
13	Ensamblaje de válvula de control	1	01322	01322	L262-5P	L262-5P	1322	L262-5P	L262-5P
14	Cuerpo de la bomba	1	L76-48A	L76-48A	L76-49A	L76-49A	L76-48A	L76-49A	L76-49A
15	Tapón de tubería - 1/8" cabeza cuadrada	1	U78-56ZPS	U78-56ZPS	U78-56ZPS	U78-56ZPS	U78-56ZPS	U78-56ZPS	U78-56ZPS
16	Tapón de tubería - 1/4" cabeza hexagonal	()	U78-941ZPV (2)	U78-941ZPV (2)	U78-941ZPV (2)	U78-941ZPV (2)	U78-941ZPV (1)	U78-941ZPV (1)	U78-941ZPV (1)
17	Base	1	J104-9F	J104-9F	J4-9C	J4-9C	J104-9F	J4-9C	J4-9C
18	Tornillo de cabeza hexagonal - 3/8" - 16 x 1-1/4" de largo	2	U30-75ZP	U30-75ZP	U30-75ZP	U30-75ZP	U30-75ZP	U30-75ZP	U30-75ZP
19	Almohadilla de goma	1	C35-5S	C35-5S	C35-5S	C35-5S	C35-5S	C35-5S	C35-5S
20	Tubo 1/4" D.I.	1	U37-676P	U37-676P	U37-672P	U37-677P	U37-672P	U37-672P	U37-677P
21	Codo de conexión rápida - 1/4" NPT	1	U11-218P	U11-218P	U11-218P	U11-218P	U11-218P	U11-218P	U11-218P
17	Codo dentado - 90° - 1/4" NPT	1	-	-	-	-	-	-	-
22	Interruptor de presión	1	U217-1225	U217-1225	U217-1225	U217-1225	U217-1217	U217-1217	U217-1217
23	Contratuercas - 1/2"	1	U36-112ZP	U36-112ZP	U36-112ZP	U36-112ZP	U36-112ZP	U36-112ZP	U36-112ZP
24	Conector	1	L43-5C	L43-5C	L43-5C	L43-5C	L43-5C	L43-5C	L43-5C
Kit de sellado (Incluye 3, 5, 6 y 10)			PP1551	PP1551	PP1551	PP1551	PP1551	PP1551	PP1551
Kit de reparación (Incluye 3, 5, 6, 7, 8 y 10)			PP1560	PP1566	PP1566	PP1564	PP1566	PP1566	PP1564

SERIES HMS/LT2



ÍNDICE DE PARTES - SERIES HMS, LT2

MODELOS STA-RITE

N.º DE REF.	DESCRIPCIÓN DE LA PARTE	CANT.	HMSD-1FL	HMSE-1FL	HMSF-1FL
			3/4 HP	1 HP	1-1/2 HP
1	Motor	1	A700DH	A700EH	A700FH
2	Tornillo de cabeza hexagonal - 3/8" - 16 x 1" de largo	4	U30-74ZP	U30-74ZP	U30-74ZP
3	Deflector de agua	1	17351-0009	17351-0009	17351-0009
4	Placa de sellado	1	L3-26	L3-26	L3-26
5	Junta de la placa de sellado	1	L20-43N	C20-21N	C20-21N
6	Junta del eje	1	U109-267	U109-267	U109-267
7	Arandela de soporte de resorte	1	J24-11	J24-11	J24-11
8	Impulsor	2	L105-2PC	L105-2PB	L105-2P
9	Espaciador del impulsor	1	J43-23	J43-23	J43-23
10	Ensamblaje del difusor con aros de desgaste	1	L101-45	L101-45	L101-45
10A	Aro de desgaste	1	L23-9	L23-9	L23-9
10B	Aro de desgaste	1	P23-19	P23-19	P23-19
11	Tuerca de tope - Eje	1	U36-175SSW	U36-175SSW	U36-175SSW
12	Cubierta del difusor con aro de desgaste y tornillos	1	L103-27	L103-27	L103-27
12A	Aro de desgaste	1	L23-9	L23-9	L23-9
12B	Tornillos del difusor - 1/4" - 20 x 3" de largo	3	U30-528SS	U30-528SS	U30-528SS
13	Junta tórica del difusor	1	L21-1	L21-1	L21-1
14	Tapón de tubería - 1/2" NPT	1	S23717	S23717	S23717
15	Manómetro	1	U239-8	U239-8	U239-8
16	Cuerpo de la bomba	1	L76-36	L76-36	L76-36
17	Tapón de tubería - 1/8" NPT	1	U78-56ZPS	U78-56ZPS	U78-56ZPS
18	Ensamblaje de válvula de control	1	01322	01322	01322
18A	Junta de la válvula de control	1	L20-39	L20-39	L20-39
19	Tapón de tubería - 1/4" cabeza hexagonal	1	U78-941ZPV	U78-941ZPV	U78-941ZPV
20	Base	1	U4-5	U4-5	U4-5
*	Arandela de seguridad - 3/8"	4	U43-12ZP	U43-12ZP	U43-12ZP
*	Tornillo de cabeza hexagonal - 3/8" - 16 x 3/4" de largo	2	U30-72ZP	U30-72ZP	U30-72ZP
21	Tornillo de cabeza hexagonal - 3/8" - 16 x 7/8" de largo	8	U30-73ZP	U30-73ZP	U30-73ZP
22	Conector a compresión - 1/8" NPT	1	U111-100T	U111-100T	U111-100T
23	Tubo 1/4" D.I.	1	U37-677P	U37-677P	U37-677P
24	Codo dentado - 90° - 1/4" NPT	1	U111-212T	U111-212T	U111-212T
25	Interruptor de presión	1	U217-1217	U217-1217	U217-1217
26	Contratuerca - 1/2"	1	U36-112ZP	U36-112ZP	U36-112ZP
27	Conector	1	L43-5C	L43-5C	L43-5C
Kit de sellado (Incluye 3, 5, 6, 7 y 13)			PP1625	PP1625	PP1625
Kit de reparación (Incluye 3, 5, 6, 7, 8, 10A, 10B, 11, 12A y 13)			-	PP1632	PP1633

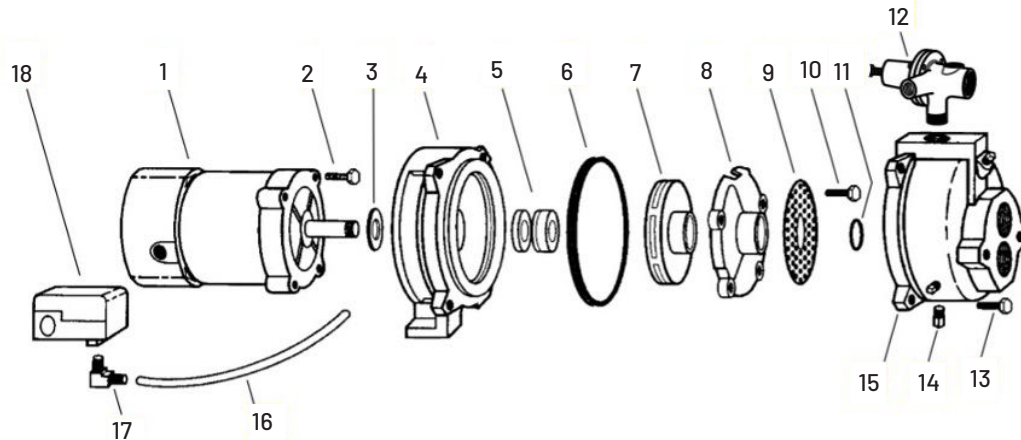
ÍNDICE DE PARTES - SERIES HMS, LT2

MODELOS BERKELEY

N.º DE REF.	DESCRIPCIÓN DE LA PARTE	CANT.	7LT2	10LT2	15LT2
			3/4 HP	1 HP	1-1/2 HP
1	Motor	1	A700DH	A700EH	A700FH
2	Tornillo de cabeza hexagonal - 3/8" - 16 x 1" de largo	4	U30-74ZP	U30-74ZP	U30-74ZP
3	Deflector de agua	1	17351-0009	17351-0009	17351-0009
4	Placa de sellado	1	L3-26	L3-26	L3-26
5	Junta de la placa de sellado	1	L20-43N	C20-21N	C20-21N
6	Junta del eje	1	U109-267	U109-267	U109-267
7	Arandela de soporte de resorte	1	J24-11	J24-11	J24-11
8	Impulsor	2	L105-2PC	L105-2PB	L105-2P
9	Espaciador del impulsor	1	J43-23	J43-23	J43-23
10	Ensamblaje del difusor con aros de desgaste	1	L101-45	L101-45	L101-45
10A	Aro de desgaste	1	L23-9	L23-9	L23-9
10B	Aro de desgaste	1	P23-19	P23-19	P23-19
11	Tuerca de tope - Eje	1	U36-175SSW	U36-175SSW	U36-175SSW
12	Cubierta del difusor con aro de desgaste y tornillos	1	L103-27	L103-27	L103-27
12A	Aro de desgaste	1	L23-9	L23-9	L23-9
12B	Tornillos del difusor - 1/4" - 20 x 3" de largo	3	U30-528SS	U30-528SS	U30-528SS
13	Junta tórica del difusor	1	L21-1	L21-1	L21-1
14	Tapón de tubería - 1/2" NPT	1	S23717	S23717	S23717
15	Manómetro	1	U239-8	U239-8	U239-8
16	Cuerpo de la bomba	1	L76-36	L76-36	L76-36
17	Tapón de tubería - 1/8" NPT	1	U78-56ZPS	U78-56ZPS	U78-56ZPS
18	Ensamblaje de válvula de control	1	01322	01322	01322
18A	Junta de la válvula de control	1	L20-39	L20-39	L20-39
19	Tapón de tubería - 1/4" cabeza hexagonal	1	U78-941ZPV	U78-941ZPV	U78-941ZPV
20	Base	1	U4-5	U4-5	U4-5
*	Arandela de seguridad - 3/8"	4	U43-12ZP	U43-12ZP	U43-12ZP
*	Tornillo de cabeza hexagonal - 3/8" - 16 x 3/4" de largo	2	U30-72ZP	U30-72ZP	U30-72ZP
21	Tornillo de cabeza hexagonal - 3/8" - 16 x 7/8" de largo	8	U30-73ZP	U30-73ZP	U30-73ZP
22	Conector a compresión - 1/8" NPT	1	U111-100T	U111-100T	U111-100T
23	Tubo 1/4" D.I.	1	U37-677P	U37-677P	U37-677P
24	Codo dentado - 90° - 1/4" NPT	1	U111-212T	U111-212T	U111-212T
25	Interruptor de presión	1	U217-1217	U217-1217	U217-1219
26	Contratuerca - 1/2"	1	U36-112ZP	U36-112ZP	U36-112ZP
27	Conector	1	L43-5C	L43-5C	L43-5C
Kit de sellado (Incluye 3, 5, 6, 7 y 13)			PP1625	PP1625	PP1625
Kit de reparación (Incluye 3, 5, 6, 7, 8, 10A, 10B, 11, 12A y 13)			-	PP1632	PP1633

ÍNDICE DE PARTES

SERIES HR, HJ

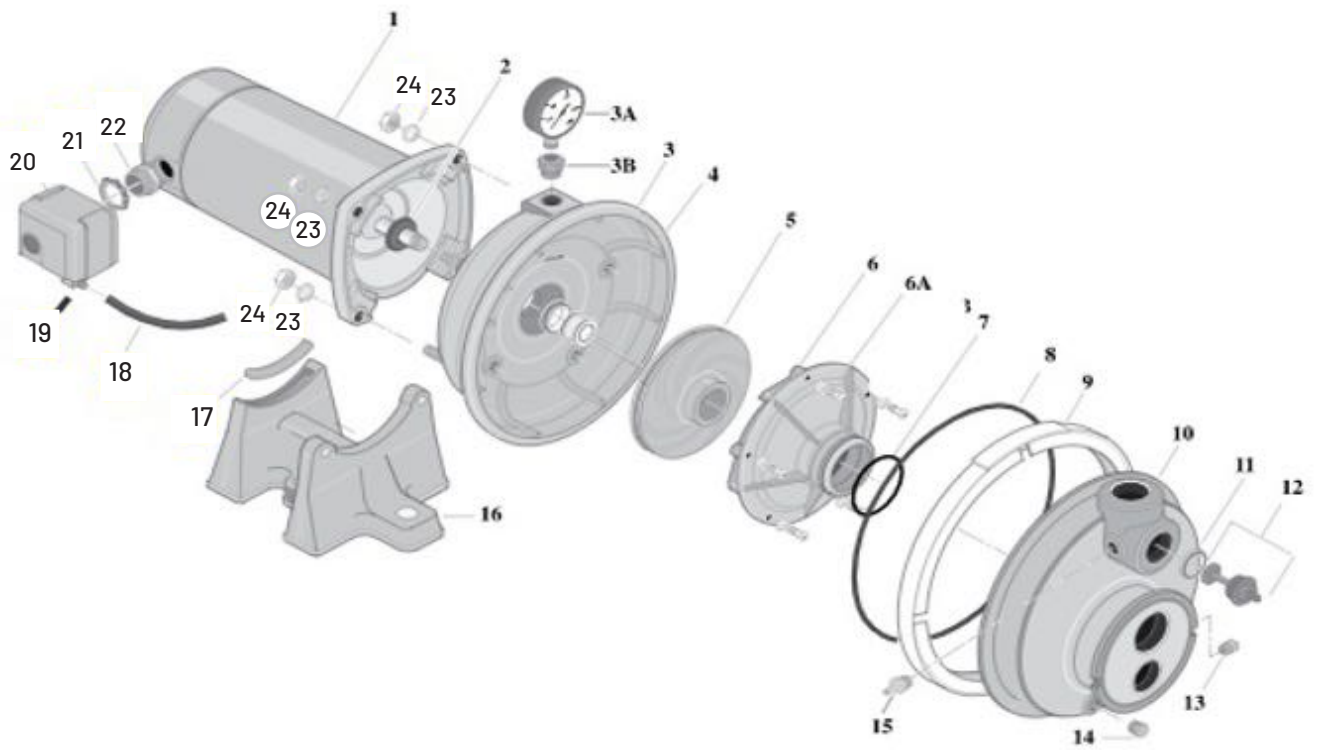


MODELOS STA-RITE

N.º DE REF.	DESCRIPCIÓN DE LA PARTE	CANT.	HR50D	HJ50D	HJ75D	HJ100D
			1/2 HP	1/2 HP	3/4 HP	1HP
1	Motor	1	J218-1652-115	20924A000K	20934A000K	20935A000K
2	Tornillo hexagonal - 3/8" - 16 x 7/8" de largo	4	-	U30-73ZP	U30-73ZP	U30-73ZP
2	Tornillo hexagonal - 3/8" - 16 x 1-1/2" de largo	4	U30-76SS	-	-	-
3	Deflector de agua	1	17351-0009	-	-	-
4	Soporte	1	-	20936D101W	20937D101W	20937D101W
*	Placa de sellado	1	24452C100W	-	-	-
5	Junta del eje	1	14525A000K	14525A000K	14525A000K	14525A000K
6	Junta de la placa de sellado	1	05014A157	05014A157	05014A158	05014A158
7	Impulsor - Plástico	1	16622B015	16622B010	19195B004	19196B004
7	Impulsor - Latón		-	17682B003K	19195B000K	19195B000K
8	Difusor	1	12371B000	12371B000	14379B000	14380B000
9	Rejilla	1	13069B000	13069B000	-	-
10	Tornillos del difusor	3	U30-53SS	U30-53SS	U30-53SS	19099A023
11	Junta tórica del difusor	1	05876A003	05876A003	05876A087	05876A087
12	Regulador	1	15285A033	15285A014	15285A023	15285A023
13	Tornillo hexagonal - 3/8" - 16 x 1-1/4" de largo	5	-	U30-75ZP	-	-
13	Tornillo hexagonal - 3/8" - 16 x 1-1/2" de largo	4	-	-	19102A012	19102A012
14	Tapón de tubería - 1/4" cabeza hexagonal	3	U78-941ZPV	U78-941ZPV	U78-941ZPV	U78-941ZPV
15	Cuerpo de la bomba	1	24358D110W	18623D101W	19198D100W	19198D100W
*	Base	1	25383B002	-	-	-
16	Tubo 1/4" D.I.	1	U37-671P	U37-671P	U37-671P	U37-671P
17	Codo dentado - 90° - 1/4" NPT	2	U111-212T	U111-212T	U111-212T	U111-212T
18	Interruptor de presión	1	U217-1218	U217-1218	U217-1218	U217-1218
*	Contratuercas - 1/2"	1	U36-112ZP	U36-112ZP	U36-112ZP	U36-112ZP
*	Conector	1	L43-5C	L43-5C	L43-5C	L43-5C
	Kit de reparación					
	(Incluye 4, 5, 6, 7 y 8)		PK50	PK50	PK75	PK100

* No se muestra

SERIE PL



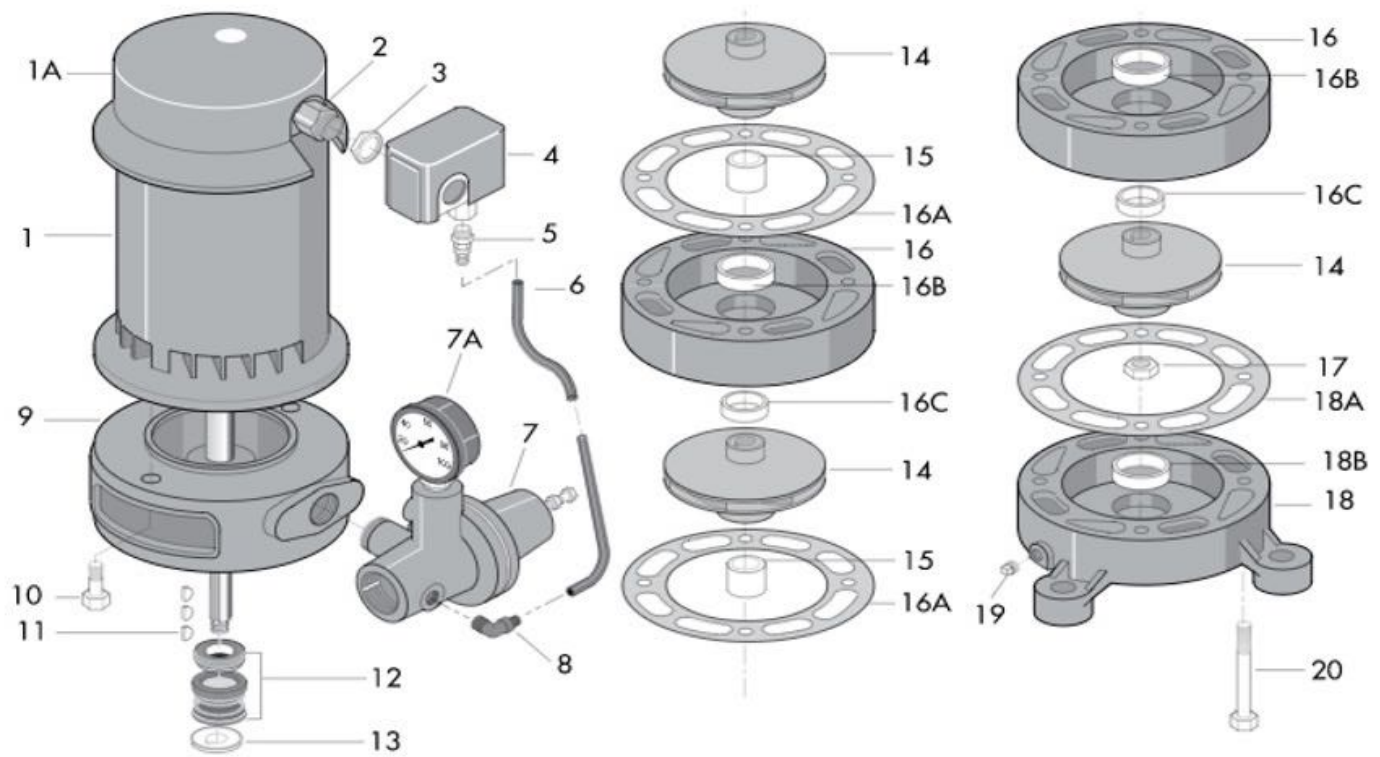
ÍNDICE DE PARTES - SERIE PL

SERIE PL

N.º DE REF.	DESCRIPCIÓN DE LA PARTE	CANT.	PLC-2L	PLD-2L	PLE-2L	PLF-2L
			1/2 HP	3/4 HP	1 HP	1-1/2 HP
1	Motor	1	J218-1651	J218-1652	J218-1653	J218-1655
2	Deflector de agua	1	17351-0009	17351-0009	17351-0009	17351-0009
3	Placa de sellado	1	L176-47P	L176-47P	L176-47P	L176-47P
3A	Manómetro	1	U239-3	U239-3	U239-3	U239-3
3B	Reductor, 1/2" x 1/8" NPT	1	U78-107PT	U78-107PT	U78-107PT	U78-107PT
4	Junta del eje	1	U109-6B	U109-6B	U109-6B	U109-6B
5	Impulsor	1	J105-40PE	J105-42PT	J105-8PAN	J105-22PA
6	Difusor	1	J1-39P	J1-39P	J1-40P	J1-40PA
6A	Tornillos del difusor	5	U39-996SS	U39-996SS	U39-996SS	U39-996SS
7	Junta tórica del difusor	1	U9-199	U9-199	U9-199	U9-199
8	Junta tórica para abrazadera en V	1	U9-399	U9-399	U9-399	U9-399
9	Ensamblaje de abrazadera en V	1	C19-54SS	C19-54SS	C19-54SS	C19-54SS
10	Cuerpo de la bomba	1	L76-37P	L76-37P	L76-37P	L76-37P
11	Junta	1	L20-40	L20-40	L20-40	L20-40
12	Regulador	1	J198-20	J198-20	J198-20	J198-20
13	Tapón de tubería - 1/8	1	WC78-41T	WC78-41T	WC78-41T	WC78-41T
14	Tapón de tubería - 1/4" cabeza hexagonal	1	U78-941ZPV	U78-941ZPV	U78-941ZPV	U78-941ZPV
15	Conector dentado - Recto - 1/4" NPT	1	U111-211T	U111-211T	U111-211T	U111-211T
16	Base	1	C4-42P	C4-42P	C4-42P	C4-42P
17	Almohadilla de goma	1	C35-11	C35-11	C35-11	C35-11
18	Tubo 1/4" D.I.	1	U37-671P	U37-671P	U37-671P	U37-671P
19	Codo dentado - 90° - 1/4" NPT	1	U111-212T	U111-212T	U111-212T	U111-212T
20	Interruptor de presión	1	U217-1217	U217-1217	U217-1217	U217-1217
21	Contratuercas - 1/2"	1	U36-112ZP	U36-112ZP	U36-112ZP	U36-112ZP
22	Conector	1	L43-5C	L43-5C	L43-5C	L43-5C
23	Tuerca hexagonal, 5/16" - 18	4	U36-37ZP	U36-37ZP	U36-37ZP	U36-37ZP
24	Arandela, 5/16"	2	U43-61ZP	U43-61ZP	U43-61ZP	U43-61ZP
Kit de sellado			PP1500	PP1500	PP1500	PP1500
(Incluye 2, 4, 7, 8 y 11)						
Kit de reparación			PP1511	PP1512	PP1513	PP1514
(Incluye 2, 4, 5, 6, 6A, 7, 8, 9 y 11)						

ÍNDICE DE PARTES

SERIES MS, MVPH



ÍNDICE DE PARTES - SERIES MS, MVPH

MODELOS STA-RITE

N.º DE REF.	DESCRIPCIÓN DE LA PARTE	CANT.	MSD-7	MSE-7	MSF-7	MSG-7
			3/4 HP	1 HP	1-1/2 HP	2 HP
1	Motor	1	A300DH	J218-1654	A300FH	AE300GH
1a	Cubierta del motor	1	-	-	-	-
2	Conector	1	J43-13C	J43-13C	J43-13C	J43-13C
3	Contratuercas - 1/2"	1	U36-112ZP	U36-112ZP	U36-112ZP	U36-112ZP
4	Interruptor de presión	1	U217-1217	U217-1217	U217-204E	U217-204E
5	Conector dentado - Recto - 1/4" NPT	1	U111-211T	U111-211T	U111-211T	U111-211T
6	Tubo 1/4" D.I.	1	U37-672P	U37-672P	U37-672P	U37-672P
7	Ensamblaje de regulador de presión	1	J212-24E	J212-24E	J212-24E	J212-24E
7A	Manómetro	1	U239-3	U239-3	U239-8	U239-8
8	Codo dentado - 90° - 1/4" NPT	1	U111-212T	U111-212T	U111-212T	U111-212T
9	Adaptador	1	L2-16A	L2-16A	L2-16A	L2-16A
10	Tornillo de cabeza hexagonal - 3/8" - 16 x 1-1/4" de largo	2	U30-75ZP	U30-75ZP	U30-75ZP	U30-75ZP
11	Chaveta del eje	()	U65-15SS(2)	U65-15SS(2)	U65-15SS(3)	U65-15SS(3)
12	Junta del eje	1	17351-0101A	17351-0101A	17351-0101A	17351-0101A
13	Arandela de soporte de resorte	1	J24-11	J24-11	J24-11	J24-11
14	Impulsor	()	J105-75P(2)	J105-76P(2)	J105-74PA(3)	J105-74P(3)
15	Espaciador del impulsor	()	J43-23(1)	J43-23(1)	J43-23(2)	J43-23(2)
16	Voluta intermedia con junta y aros de desgaste	()	J101-26(1)	J101-26(1)	J101-26(2)	J101-26(2)
16A	Junta de voluta intermedia	()	J20-11N(1)	J20-11N(1)	J20-11N(2)	J20-11N(2)
16B	Aro de desgaste de voluta intermedia	1	J23-10	J23-10	J23-10	J23-10
16C	Aro de desgaste de voluta intermedia	1	J23-11	J23-11	J23-11	J23-11
17	Tuerca de tope - Eje	1	U36-175SSW	U36-175SSW	U36-175SSW	U36-175SSW
18	Voluta base con junta y aro de desgaste	1	J101-33	J101-33	J101-33	J101-33
18A	Junta de voluta base	1	J20-11N	J20-11N	J20-11N	J20-11N
18B	Aro de desgaste de voluta base	1	J23-10	J23-10	J23-10	J23-10
19	Tapón de tubería - 1/4" cabeza hexagonal	1	U78-941ZPV	U78-941ZPV	U78-941ZPV	U78-941ZPV
20	Tornillo de cabeza hexagonal - 3/8" - 16 x 4-1/2" de largo	4	U30-1030ZP	U30-1030ZP	-	-
20	Tornillo de cabeza hexagonal - 3/8" - 16 x 6" de largo	4	-	-	U30-81ZP	U30-81ZP
Kit de sellado			PP1650	PP1650	PP1650	PP1650
(Incluye 11, 12, 13, 16A, 18A)						
Kit de impulsor y junta			PP1656	PP1657	PP1658	PP1659
(Incluye 11, 12, 13, 14, 16A, 16B, 18A y 18B)						

ÍNDICE DE PARTES - SERIES MS, MVPH

MODELOS BERKELEY

N.º DE REF.	DESCRIPCIÓN DE LA PARTE	CANT.	10MS	15MS	20MS
			1 HP	1-1/2 HP	2 HP
1	Motor	1	J218-1654	A300FH	AE300GH
1a	Cubierta del motor	1	-	-	-
2	Conector	1	J43-13C	J43-13C	J43-13C
3	Contratuercas - 1/2"	1	U36-112ZP	U36-112ZP	U36-112ZP
4	Interruptor de presión	1	U217-1217	U217-204E	U217-204E
5	Conector dentado - Recto - 1/4" NPT	1	U111-211T	U111-211T	U111-211T
6	Tubo 1/4" D.I.	1	U37-672P	U37-672P	U37-672P
7	Ensamblaje de regulador de presión	1	J212-24E	J212-24E	J212-24E
7A	Manómetro	1	U239-3	U239-8	U239-8
8	Codo dentado - 90° - 1/4" NPT	1	U111-212T	U111-212T	U111-212T
9	Adaptador	1	L2-16A	L2-16A	L2-16A
10	Tornillo de cabeza hexagonal - 3/8" - 16 x 1-1/4" de largo	2	U30-75ZP	U30-75ZP	U30-75ZP
11	Chaveta del eje	()	U65-15SS(2)	U65-15SS(3)	U65-15SS(3)
12	Junta del eje	1	17351-0101A	17351-0101A	17351-0101A
13	Arandela de soporte de resorte	1	J24-11	J24-11	J24-11
14	Impulsor	()	J105-76P(2)	J105-74PA(3)	J105-74P(3)
15	Espaciador del impulsor	()	J43-23(1)	J43-23(2)	J43-23(2)
16	Voluta intermedia con junta y aros de desgaste	()	J101-26(1)	J101-26(2)	J101-26(2)
16A	Junta de voluta intermedia	()	J20-11N(1)	J20-11N(2)	J20-11N(2)
16B	Aro de desgaste de voluta intermedia	1	J23-10	J23-10	J23-10
16C	Aro de desgaste de voluta intermedia	1	J23-11	J23-11	J23-11
17	Tuerca de tope - Eje	1	U36-175SSW	U36-175SSW	U36-175SSW
18	Voluta base con junta y aro de desgaste	1	J101-33	J101-33	J101-33
18A	Junta de voluta base	1	J20-11N	J20-11N	J20-11N
18B	Aro de desgaste de voluta base	1	J23-10	J23-10	J23-10
19	Tapón de tubería - 1/4" cabeza hexagonal	1	U78-941ZPV	U78-941ZPV	U78-941ZPV
20	Tornillo de cabeza hexagonal - 3/8" - 16 x 4-1/2" de largo	4	U30-1030ZP	-	-
20	Tornillo de cabeza hexagonal - 3/8" - 16 x 6" de largo	4	-	U30-81ZP	U30-81ZP
Kit de sellado					
(Incluye 11, 12, 13, 16A, 18A)			PP1650	PP1650	PP1650
Kit de impulsor y junta					
(Incluye 11, 12, 13, 14, 16A, 16B, 18A y 18B)			PP1657	PP1658	PP1659

ÍNDICE DE PARTES - SERIES MS, MVPH

MODELOS MYERS

N.º DE REF.	DESCRIPCIÓN DE LA PARTE	CANT.	MVPH-100	MVPH-150	MVPH-200
			1 HP	1-1/2 HP	2 HP
1	Motor	1	J218-1654	A300FH	AE300GH
1a	Cubierta del motor	1	-	-	-
2	Conector	1	J43-13C	J43-13C	J43-13C
3	Contratuerca - 1/2"	1	U36-112ZP	U36-112ZP	U36-112ZP
4	Interruptor de presión	1	U217-1216	U217-204E	U217-204E
5	Conector dentado - Recto - 1/4" NPT	1	U111-211T	U111-211T	U111-211T
6	Tubo 1/4" D.I.	1	U37-672P	U37-672P	U37-672P
7	Ensamblaje de regulador de presión	1	J212-24E	J212-24E	J212-24E
7A	Manómetro	1	U239-3	U239-8	U239-8
8	Codo dentado - 90° - 1/4" NPT	1	U111-212T	U111-212T	U111-212T
9	Adaptador	1	L2-16A	L2-16A	L2-16A
10	Tornillo de cabeza hexagonal - 3/8" - 16 x 1-1/4" de largo	2	U30-75ZP	U30-75ZP	U30-75ZP
11	Chaveta del eje	()	U65-15SS(2)	U65-15SS(3)	U65-15SS(3)
12	Junta del eje	1	17351-0101A	17351-0101A	17351-0101A
13	Arandela de soporte de resorte	1	J24-11	J24-11	J24-11
14	Impulsor	()	J105-76P(2)	J105-74PA(3)	J105-74P(3)
15	Espaciador del impulsor	()	J43-23(1)	J43-23(2)	J43-23(2)
16	Voluta intermedia con junta y aros de desgaste	()	J101-26(1)	J101-26(2)	J101-26(2)
16A	Junta de voluta intermedia	()	J20-11N(1)	J20-11N(2)	J20-11N(2)
16B	Aro de desgaste de voluta intermedia	1	J23-10	J23-10	J23-10
16C	Aro de desgaste de voluta intermedia	1	J23-11	J23-11	J23-11
17	Tuerca de tope - Eje	1	U36-175SSW	U36-175SSW	U36-175SSW
18	Voluta base con junta y aro de desgaste	1	J101-33	J101-33	J101-33
18A	Junta de voluta base	1	J20-11N	J20-11N	J20-11N
18B	Aro de desgaste de voluta base	1	J23-10	J23-10	J23-10
19	Tapón de tubería - 1/4" cabeza hexagonal	1	U78-941ZPV	U78-941ZPV	U78-941ZPV
20	Tornillo de cabeza hexagonal - 3/8" - 16 x 4-1/2" de largo	4	U30-1030ZP	-	-
20	Tornillo de cabeza hexagonal - 3/8" - 16 x 6" de largo	4	-	U30-81ZP	U30-81ZP
Kit de sellado					
(Incluye 11, 12, 13, 16A, 18A)			PP1650	PP1650	PP1650
Kit de impulsor y junta					
(Incluye 11, 12, 13, 14, 16A, 16B, 18A y 18B)			PP1657	PP1658	PP1659

RESOLUCIÓN DE PROBLEMAS

SÍNTOMA	POSIBLES CAUSAS	ACCIÓN CORRECTIVA
El motor no funciona	<p>El interruptor está apagado Se quemó un fusible o se disparó el disyuntor El interruptor de arranque está defectuoso</p> <p>Los cables del motor están sueltos, desconectados o cableados incorrectamente</p> <p>Los contactos del interruptor de presión están sucios</p>	<p>Asegúrese de que el interruptor esté encendido. Reemplace el fusible o restablezca el disyuntor. DESCONECTE LA ALIMENTACIÓN, reemplace el interruptor de arranque. Consulte las instrucciones sobre el cableado (Página 8). DESCONECTE LA ALIMENTACIÓN; revise y ajuste todo el cableado.</p> <p>⚠ WARNING Voltaje peligroso. El voltaje del condensador puede ser peligroso. Para descargar el condensador, sujete el destornillador con mango aislado POR EL MANGO y conecte en corto los terminales del condensador. No toque la punta de metal del destornillador ni los terminales del condensador. En caso de duda, consulte a un electricista calificado.</p> <p>DESCONECTE LA ALIMENTACIÓN y lime los contactos con papel de lija o una lima de uñas.</p>
El motor se recalienta y se activa la protección contra sobrecarga	<p>El motor está cableado incorrectamente El voltaje es demasiado bajo</p> <p>La bomba realiza ciclos con demasiada frecuencia</p>	<p>Consulte las instrucciones sobre el cableado. Consulte con la compañía eléctrica. Instale un cableado más grueso si el tamaño del cable es demasiado pequeño (ver Tabla de cableado/sistema eléctrico). Consulte la sección a continuación sobre ciclos demasiado frecuentes.</p>
El motor funciona pero no sale agua*	<p>La bomba en la nueva instalación no se pudo cebar por las siguientes causas:</p> <ol style="list-style-type: none"> 1. Cebado incorrecto 2. Fugas de aire 3. Válvula de pie o válvula de retención con fugas <p>La bomba ha perdido el cebado por las siguientes causas:</p> <ol style="list-style-type: none"> 1. Fugas de aire 2. Nivel de agua por debajo de la entrada de la tubería de succión <p>La válvula de pie o la rejilla están obstruidas El eyector o impulsor está obstruido La válvula de retención o la válvula de pie están atascadas Las tuberías están congeladas La válvula de pie y/o la rejilla están enterradas en arena o lodo El nivel del agua es demasiado bajo para que la configuración del pozo poco profundo suministre agua</p>	<p>En una instalación nueva:</p> <ol style="list-style-type: none"> 1. Vuelva a cebar siguiendo las instrucciones. 2. Revise todas las conexiones en la línea de succión, AVC y eyector con agua jabonosa o espuma de afeitar. 3. Reemplace la válvula de pie o la válvula de retención. <p>En una instalación ya en uso:</p> <ol style="list-style-type: none"> 1. Revise todas las conexiones en la línea de succión y la junta del eje. 2. Baje la línea de succión al agua y vuelva a cebar. Si el nivel de agua en descenso en el pozo supera los 25 pies (7.6 m), se necesita una bomba de pozo profundo. <p>Limpie la válvula de pie o la rejilla. Limpie el eyector o el impulsor. Reemplace la válvula de retención o la válvula de pie. Descongele las tuberías. Entierre las tuberías por debajo de la línea de congelamiento, Fosa de calor o gabinete para bomba. Levante la válvula de pie y/o la rejilla por encima del fondo de la fuente de agua. Limpie la válvula de pie o la rejilla. Se necesitará un chorro para pozo profundo si su pozo tiene más de 25 pies (7.6 m) de profundidad en el agua.</p>
La bomba no suministra agua a su máxima capacidad	<p>El nivel del agua en el pozo es inferior al estimado</p> <p>Las tuberías de acero (si se utilizan) están corroídas o encaladas, lo que provoca un exceso de fricción</p> <p>La tubería es demasiado pequeña</p>	<p>Es posible que se necesite una nueva combinación de boquilla y venturi. Reemplácelas por tuberías de plástico donde sea posible, de lo contrario con tuberías de acero nuevas. Utilice tuberías más grandes.</p>
La bomba suministra agua pero no se apaga o la bomba realiza ciclos con demasiada frecuencia	<p>El interruptor de presión está fuera de punto o los contactos están soldados</p> <p>Los grifos se han dejado abiertos</p> <p>El venturi, la boquilla o el impulsor están obstruidos</p> <p>El tanque de presión estándar está anegado y no tiene colchón de aire</p> <p>Las tuberías tienen fugas</p> <p>Las válvulas de pie tienen fugas</p> <p>El interruptor de presión está fuera de punto Carga de aire demasiado baja en el tanque precargado</p>	<p>DESCONECTE LA ALIMENTACIÓN; ajuste o reemplace el interruptor de presión.</p> <p>Cierre los grifos. Limpie el venturi, la boquilla o el impulsor. Drene el tanque hasta el puerto de control de volumen de aire. Revise el AVC en busca de defectos. Revise todas las conexiones en busca de fugas de aire. Revise las conexiones. Reemplace la válvula de pie.</p> <p>DESCONECTE LA ALIMENTACIÓN; ajuste o reemplace el interruptor de presión.</p> <p>DESCONECTE LA ALIMENTACIÓN y abra los grifos hasta que se libere toda la presión. Con un manómetro para neumáticos, verifique la presión de aire en el tanque en el vástago de la válvula ubicado en el tanque. Si es inferior al ajuste de activación del interruptor de presión (30-50 PSI), bombee aire al tanque desde una fuente externa hasta que la presión del aire sea 2 PSI inferior al ajuste de activación del interruptor. Revise la válvula de aire en busca de fugas (use una solución jabonosa) y reemplace el obús si es necesario.</p>
Entradas de aire por los grifos	<p>La bomba se está cebando</p> <p>Fuga en el lado de succión de la bomba</p> <p>El pozo es gaseoso</p> <p>Sobrebombeo intermitente del pozo. (Agua extraída por debajo de la válvula de pie).</p>	<p>Cuando la bomba se ha cebado, debe bombear agua pura sin aire. La tubería de succión está aspirando aire. Revise las juntas con agua jabonosa en busca de fugas. Consulte a la fábrica sobre la instalación de una manga en el pozo Baje la válvula de pie si es posible; de lo contrario, restrinja la descarga de la bomba</p>

GARANTÍA DE BERKELEY

Pentair BERKELEY® garantiza al comprador consumidor original ("Comprador" o "Usted") de los productos enumerados en la tabla a continuación que estarán libres de defectos de material y mano de obra durante el período de garantía que se muestra en la tabla a continuación.

PRODUCTO	PERÍODO DE GARANTÍA LO QUE OCURRA PRIMERO:
Productos de sistemas de agua: bombas inyectoras, bombas centrifugas pequeñas, bombas sumergibles y accesorios relacionados	12 meses a partir de la fecha de instalación original o 18 meses a partir de la fecha de fabricación
Tanques compuestos Pentair Pro-Source®	5 años a partir de la fecha de instalación original
Tanques de presión de acero Pentair Pro-Source	5 años a partir de la fecha de instalación original
Tanques revestidos con epoxi Pentair Pro-Source	3 años a partir de la fecha de instalación original
Agrícola/Comercial:	
Centrifugas: accionamiento con motor de acoplamiento cerrado, montaje en bastidor, montaje SAE, accionamiento con motor, VMS, SSCX, SSHM	12 meses a partir de la fecha de instalación original o 24 meses a partir de la fecha de fabricación
Turbinas sumergibles de 6" de diámetro y más grandes	12 meses a partir de la fecha de instalación original o 24 meses a partir de la fecha de fabricación

Nuestra garantía no se aplicará a ningún producto que, a nuestra entera discreción, haya sido objeto de negligencia, mala aplicación, instalación incorrecta o mantenimiento inadecuado. Ejemplos que pueden resultar en la denegación de un reclamo de garantía (esta lista no es exhaustiva):

- ◆ Daños causados por manejo descuidado, reempaque o envío inadecuados.
- ◆ Daños causados por una mala aplicación, uso indebido o abuso, o por no operar el equipo como se especifica en el manual del propietario.
- ◆ Daños causados por no instalar los productos como se especifica en el manual del propietario.
- ◆ Daños causados por modificaciones no autorizadas del producto o por no utilizar partes de repuesto originales de Pentair.
- ◆ Daños causados por negligencia o falta de mantenimiento adecuado de los productos como se especifica en el manual del propietario.
- ◆ Daños causados por el congelamiento del agua en el interior del producto.
- ◆ Daños accidentales, incendios, casos fortuitos u otras circunstancias fuera del control de Pentair.

Sin limitar lo anterior, operar un motor trifásico con energía monofásica a través de un convertidor de fase anulará la garantía. Tenga en cuenta también que los motores trifásicos deben estar protegidos por relés de sobrecarga de disparo extrarrápido, con compensación ambiental y de tres patas del tamaño recomendado o la garantía quedará anulada.

Todos los diámetros de impulsores especificados en el programa de dimensionamiento de bombas BEC2 han sido probados y determinados para no exceder el factor de servicio del motor especificado. Se pueden solicitar diámetros de impulsor sobredimensionados; sin embargo, el uso de un impulsor sobredimensionado anulará cualquier reclamo de garantía.

Su único recurso, y el único deber de BERKELEY bajo esta garantía, es que BERKELEY repare o reemplace los productos defectuosos (a elección de BERKELEY). LOS RECURSOS DESCRITOS AQUÍ SON SUS ÚNICOS Y EXCLUSIVOS RECURSOS Y NUESTRA RESPONSABILIDAD TOTAL POR CUALQUIER INCUMPLIMIENTO DE ESTA GARANTÍA.

Usted debe pagar todos los costos de mano de obra y envío asociados con la garantía y debe solicitar el servicio de garantía a través del distribuidor/instalador tan pronto como se descubra un problema. No se aceptará ninguna solicitud de servicio si se recibe después de que haya vencido el Período de garantía. Esta garantía no es transferible.

LA RESPONSABILIDAD DE BERKELEY BAJO NINGUNA CIRCUNSTANCIA EXCEDERÁ EL MONTO REAL PAGADO POR USTED POR EL PRODUCTO EN CUESTIÓN. BERKELEY NO SERÁ RESPONSABLE, BAJO NINGUNA CIRCUNSTANCIA, DE NINGÚN DAÑO O PÉRDIDA RESULTANTES, INCIDENTALES, ESPECIALES, PUNITIVOS O CONTINGENTES, NI DE NINGUNA OTRA CLASE, YA SEAN DIRECTOS O INDIRECTOS. LA GARANTÍA ANTERIOR ES EXCLUSIVA. EXCEPTO POR LA GARANTÍA ESTABLECIDA EN EL PRESENTE DOCUMENTO, BERKELEY NO OFRECE NINGUNA GARANTÍA CON RESPECTO A LOS PRODUCTOS, INCLUYENDO, ENTRE OTRAS, NINGUNA GARANTÍA DE COMERCIALIZACIÓN O GARANTÍA DE IDONEIDAD PARA UN PROPÓSITO EN PARTICULAR, YA SEA EXPLÍCITA O IMPLÍCITA POR LEY, CURSO DE NEGOCIACIÓN, CURSO DE RENDIMIENTO, USO MERCANTIL O DE OTRO TIPO.

LAS GARANTÍAS ANTERIORES NO SE EXTENDERÁN MÁS ALLÁ DE LA DURACIÓN INDICADA EN EL PRESENTE DOCUMENTO. Algunos estados no permiten la exclusión o limitación de daños incidentales o resultantes, ni limitaciones en la duración de una garantía implícita, por lo que es posible que las limitaciones o exclusiones anteriores no se apliquen a usted. Esta garantía le otorga derechos legales específicos y también puede tener otros derechos que varían de un estado a otro.

Esta Garantía entra en vigencia el 14 de julio de 2020 y reemplaza a todas las garantías sin fecha y las garantías con fecha anterior al 14 de julio de 2020.

GARANTÍA DE MYERS

GARANTÍA LIMITADA

Myers® garantiza al comprador consumidor original ("Comprador" o "Usted") de los productos enumerados en la tabla a continuación, que estarán libres de defectos de material y mano de obra durante el período de garantía que se muestra en la tabla a continuación.

PRODUCTO	PERÍODO DE GARANTÍA LO QUE OCURRA PRIMERO:
Bombas inyectoras, bombas centrífugas pequeñas, bombas sumergibles y accesorios relacionados	12 meses a partir de la fecha de instalación original o 18 meses a partir de la fecha de fabricación.
Tanques de fibra	5 años a partir de la fecha de instalación original
Tanques de presión de acero	5 años a partir de la fecha de instalación original
Productos para sumideros/aguas residuales/efluentes/servicios públicos/respaldo de batería	36 meses a partir de la fecha de fabricación
Bombas de manejo de sólidos de aguas residuales	12 meses a partir de la fecha de envío desde la fábrica o 18 meses a partir de la fecha de fabricación

LIMPIEZA DE BOQUILLAS (BAJA PRESIÓN)

Nuestra garantía se aplica únicamente cuando dichos productos se utilizan de conformidad con las especificaciones del catálogo y/o los manuales de productos correspondientes. Para obtener información adicional, consulte la garantía limitada estándar correspondiente que se incluye en el manual del producto.

Nuestra garantía no se aplicará a ningún producto que, a nuestra entera discreción, haya sido objeto de negligencia, mala aplicación, instalación incorrecta o mantenimiento inadecuado. Sin limitar lo anterior, operar un motor trifásico con energía monofásica a través de un convertidor de fase anulará la garantía. Tenga en cuenta también que los motores trifásicos deben estar protegidos por relés de sobrecarga de disparo extrarrápido, con compensación ambiental y de tres patas del tamaño recomendado o la garantía quedará anulada.

Su único recurso, y el único deber de MYERS bajo esta garantía, es que MYERS repare o reemplace los productos defectuosos (a elección de MYERS). Usted debe pagar todos los costos de mano de obra y envío asociados con la garantía y debe solicitar el servicio de garantía a través del distribuidor/instalador tan pronto como se descubra un problema. No se aceptará ninguna solicitud de servicio si se recibe después de que haya vencido el Período de garantía. Esta garantía no es transferible.

MYERS NO SERÁ RESPONSABLE DE NINGÚN DAÑO RESULTANTE, INCIDENTAL O CONTINGENTE.

LAS GARANTÍAS LIMITADAS ANTERIORES SON EXCLUSIVAS Y PREVALECEN SOBRE TODAS LAS DEMÁS GARANTÍAS EXPLÍCITAS E IMPLÍCITAS, INCLUIDAS, ENTRE OTRAS, LAS GARANTÍAS IMPLÍCITAS DE COMERCIALIZABILIDAD E IDONEIDAD PARA UN PROPÓSITO PARTICULAR. LAS GARANTÍAS LIMITADAS ANTERIORES NO SE EXTENDERÁN MÁS ALLÁ DE LA DURACIÓN INDICADA EN EL PRESENTE DOCUMENTO.

Algunos estados no permiten la exclusión o limitación de daños incidentales o resultantes, ni limitaciones en la duración de una garantía implícita, por lo que es posible que las limitaciones o exclusiones anteriores no se apliquen a usted. Esta garantía le otorga derechos legales específicos y también puede tener otros derechos que varían de un estado a otro.

Esta Garantía limitada entra en vigencia el 1 de enero de 2021 y reemplaza a todas las garantías sin fecha y las garantías con fecha anterior al 1 de enero de 2021.

GARANTÍA DE STA-RITE

GARANTÍA LIMITADA

STA-RITE garantiza al comprador consumidor original ("Comprador" o "Usted") de los productos enumerados en la tabla a continuación, que estarán libres de defectos de material y mano de obra durante el período de garantía que se muestra a continuación.

PRODUCTO	PERÍODO DE GARANTÍA LO QUE OCURRA PRIMERO:
Productos de sistemas de agua: bombas inyectoras, bombas centrífugas pequeñas, bombas sumergibles y accesorios relacionados	12 meses a partir de la fecha de instalación original o 18 meses a partir de la fecha de fabricación
Tanques compuestos Pro-Source™	5 años a partir de la fecha de instalación original
Tanques de presión de acero Pro-Source™	5 años a partir de la fecha de instalación original
Tanques revestidos con epoxi Pro-Source™	3 años a partir de la fecha de instalación original
Productos para sumidero/aguas residuales/efluentes	12 meses a partir de la fecha de instalación original o 18 meses a partir de la fecha de fabricación

Nuestra garantía no se aplicará a ningún producto que, a nuestra entera discreción, haya sido objeto de negligencia, mala aplicación, instalación incorrecta o mantenimiento inadecuado. Sin limitar lo anterior, operar un motor trifásico con energía monofásica a través de un convertidor de fase anulará la garantía. Tenga en cuenta también que los motores trifásicos deben estar protegidos por relés de sobrecarga de disparo extrarrápido, con compensación ambiental y de tres patas del tamaño recomendado o la garantía quedará anulada.

Su único recurso, y el único deber de STA-RITE, es que STA-RITE repare o reemplace los productos defectuosos (a elección de STA-RITE). Usted debe pagar todos los costos de mano de obra y envío asociados con la garantía y debe solicitar el servicio de garantía a través del distribuidor/instalador tan pronto como se descubra un problema. No se aceptará ninguna solicitud de servicio si se recibe después de que haya vencido el Período de garantía. Esta garantía no es transferible.

STA-RITE NO SERÁ RESPONSABLE DE NINGÚN DAÑO RESULTANTE, INCIDENTAL O CONTINGENTE. LAS GARANTÍAS LIMITADAS ANTERIORES SON EXCLUSIVAS Y PREVALECEN SOBRE TODAS LAS DEMÁS GARANTÍAS EXPLÍCITAS E IMPLÍCITAS, INCLUIDAS, ENTRE OTRAS, LAS GARANTÍAS IMPLÍCITAS DE COMERCIABILIDAD E IDONEIDAD PARA UN PROPÓSITO PARTICULAR. LAS GARANTÍAS ANTERIORES NO SE EXTENDERÁN MÁS ALLÁ DE LA DURACIÓN INDICADA EXPRESAMENTE EN EL PRESENTE DOCUMENTO. Algunos estados no permiten la exclusión o limitación de daños incidentales o resultantes, ni limitaciones en la duración de una garantía implícita, por lo que es posible que las limitaciones o exclusiones anteriores no se apliquen a usted. Esta garantía le otorga derechos legales específicos y también puede tener otros derechos que varían de un estado a otro.

Esta Garantía limitada entra en vigencia el 1 de junio de 2011 y reemplaza a todas las garantías sin fecha y las garantías con fecha anterior al 1 de junio de 2011.



**293 Wright St
Delavan, WI 53115
Teléfono: 888.987.8677
Fax: 800.426.9446**

**490 Pinebush Rd., Unit 4 pentair.com
Cambridge, Ontario
Canada N1t 0a5
Teléfono: 800.363.7867**

Todas las marcas comerciales y los logotipos de Pentair indicados son propiedad de Pentair. Las marcas comerciales y los logotipos de terceros, registrados y no registrados, son propiedad de sus respectivos dueños. Como mejoramos continuamente nuestros productos y servicios, Pentair se reserva el derecho de modificar las especificaciones sin previo aviso. Pentair es un empleador que ofrece igualdad de oportunidades.

©2022 Pentair. Todos los derechos reservados.

P15004 (12-15-22)